



[Manuals.plus](#) /

› [RealTruck](#) /

› RealTruck TruXedo Sentry Hard Rolling Tonneau Cover User Manual | Model 1569601

RealTruck 1569601

RealTruck TruXedo Sentry Hard Rolling Tonneau Cover User Manual

Model: **1569601** | Brand: **RealTruck**

1. INTRODUCTION

The TruXedo Sentry is a hard roll-up truck bed cover designed for durability and security. It features industrial-strength, leather-grain vinyl fabric pressure-bonded to heavy-duty aluminum slats. This design provides robust protection for your truck bed and cargo while maintaining an extra-low profile appearance. The cover is engineered for ease of use, allowing for quick access to your truck bed.

2. SETUP AND INSTALLATION

Installation of the TruXedo Sentry Tonneau Cover is designed to be straightforward and does not require special tools or drilling. Ensure your truck bed is clean and dry before beginning the installation process.

2.1 Compatibility Check

This tonneau cover is specifically designed to fit **2008 - 2016 Ford F-250/350/450 Super Duty trucks with an 8' 2" (98") bed**. Verify your truck's bed length before installation.

HOW TO MEASURE YOUR TRUCK BED

FORD SUPER DUTY 1999-2016

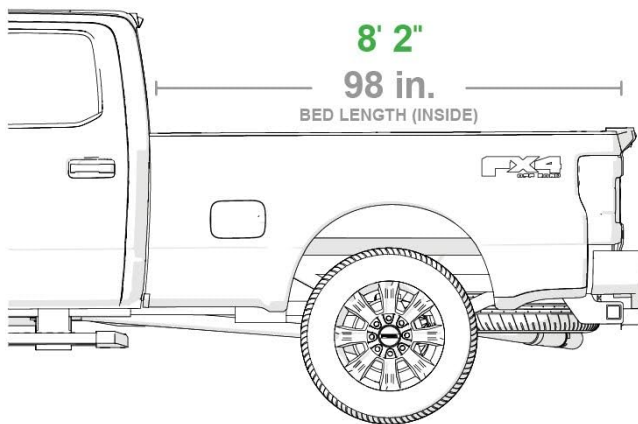
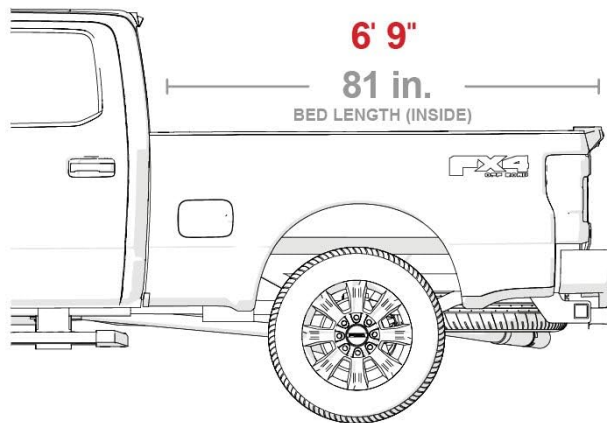


Image 1: Truck bed measurement guide. Ensure your truck bed measures 8' 2" (98 inches) for proper fit.

2.2 Installation Steps

- 1. Prepare the Truck Bed:** Clean the bulkhead area thoroughly with alcohol to ensure proper adhesion of the rubber seal.
- 2. Apply Bulkhead Seal:** Adhere the provided rubber seal to the bulkhead, aligning it with the inside edge of the bulkhead. Trim any excess seal to sit flush with the bed caps.
- 3. Position Side Rails:** Place one side rail on the truck bed, ensuring it sits level on top of the truck bed. Slide the rail towards the bulkhead until the foam seal is compressed about halfway.
- 4. Install Clamps:** Install a clamp in the center of the rail, and another about 12 inches from the tailgate. Use a 1/2-inch wrench to tighten the clamps. Apply pressure on top of the rail when tightening to ensure a proper seal. Repeat this process for the opposite side rail.
- 5. Attach Cover Assembly:** Place the rolled-up cover assembly onto the rails at the bulkhead. Line up the screw head on the underside of the cover assembly with the slot in the rail on each side. Slide the header guides towards the rails until they click, securing the rolled cover to the rails.

2.3 Installation Video

Your browser does not support the video tag.

Video 1: Official installation guide for the TruXedo Sentry / SentryCT Tonneau Cover.

3. OPERATING INSTRUCTIONS

The TruXedo Sentry is designed for easy, one-hand operation to provide convenient access to your truck bed.

3.1 Opening the Cover

1. **Drop Tailgate:** Lower your truck's tailgate.
2. **Release Latches:** Pull on either operation cable located at either side of the tailgate to disengage the latches.
3. **Roll Up Cover:** Lift and roll the rear header towards the cab. The cover will roll up smoothly, and the integrated bars will roll with it, providing full bed access.
4. **Secure for Driving:** To drive with the cover in the open position, both straps must be secured to the retaining buckles near the cab.

3.2 Closing the Cover

1. **Unroll Cover:** Release the retaining straps and unroll the cover towards the tailgate.
2. **Close Tailgate:** Close your truck's tailgate.
3. **Latch Cover:** Push down firmly on the end of the cover near the tailgate to engage both side latches. Ensure the hook-and-loop fasteners on both side rails are securely attached.

HARD ROLLING TRUCK BED COVER



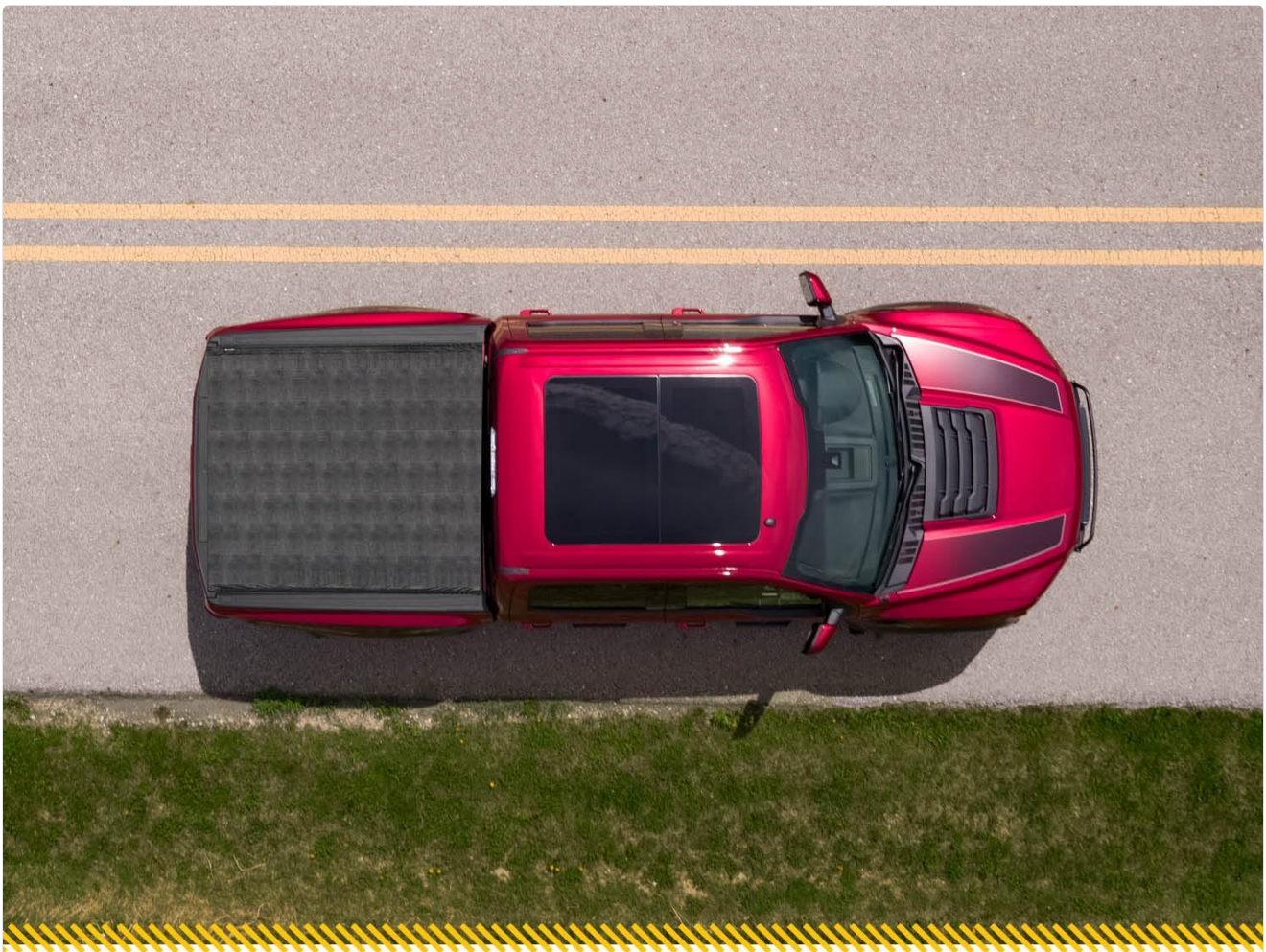
Image 2: The tonneau cover can be easily rolled up towards the cab for full bed access.



Image 3: Full bed access is maintained when the cover is rolled up and secured.

3.3 Security Features

The Sentry cover includes an extra latch towards the center for enhanced security. When the tailgate is closed and locked, the tonneau cover is also secured, preventing unauthorized access to your truck bed.



**SUPERIOR PROTECTION
AND STYLE**



**EFFORTLESS
CONVENIENCE**



**QUALITY YOU
CAN TRUST**

Image 4: The design emphasizes superior protection and effortless convenience.

4. MAINTENANCE

Regular maintenance will ensure the longevity and optimal performance of your TruXedo Sentry Tonneau Cover.

- **Cleaning:** Clean the vinyl fabric regularly with mild soap and water. Avoid harsh chemicals or abrasive cleaners, as these can damage the material.
- **Seal Inspection:** Periodically inspect the rubber seals along the rails and bulkhead for any signs of wear or damage. Ensure they are free of debris to maintain a watertight seal.
- **Hardware Check:** Check all clamps and fasteners periodically to ensure they remain tight and secure.

5. TROUBLESHOOTING

If you encounter any issues with your TruXedo Sentry Tonneau Cover, refer to the following common solutions:

- **Water Leaks:** Check the bulkhead seal and side rail seals for proper placement and compression. Ensure all clamps are tightened securely.
- **Difficulty Rolling/Unrolling:** Ensure the rails are free of obstructions and the cover fabric is clean. Check that the header guides are properly aligned.
- **Cover Not Latching:** Verify that the tailgate is fully closed before attempting to latch the cover. Ensure the latches are free of debris and functioning correctly.

6. SPECIFICATIONS

Feature	Detail
Brand	RealTruck
Model	1569601
Style	Sentry (Hard Rolling)
Material	Aluminum, Vinyl
Exterior Finish	Vinyl, Aluminum
Lock Type	Latch
Item Weight	102 pounds
Product Dimensions	99 x 12 x 11 inches
GTIN / UPC	845742012450

7. WARRANTY INFORMATION

The TruXedo Sentry Tonneau Cover comes backed by a **3-year guarantee**. For specific terms and conditions, please refer to the warranty documentation included with your product or contact RealTruck customer support.

8. CUSTOMER SUPPORT

For further assistance, technical support, or warranty claims, please contact RealTruck customer service. You can find contact information on the RealTruck website or in the packaging materials.