

Logilink EO0006

Logilink EO0006 Foot Rocker User Manual

Model: EO0006

INTRODUCTION

The Logilink EO0006 Foot Rocker is designed to enhance comfort and well-being during prolonged periods of sitting, such as at a desk. It promotes improved blood circulation and reduces strain on the legs, contributing to a more ergonomic workspace. This manual provides essential information for the proper setup, operation, and maintenance of your foot rocker.

KEY FEATURES

- Designed to allow increased circulation and relieve stress from legs.
- Features a high setting for large rocking movement.
- Includes a low setting for quick rocking movement.
- Equipped with non-slip construction for enhanced stability during use.
- Built for durability, with a maximum capacity of 10kg.

SETUP INSTRUCTIONS

Follow these steps to set up your Logilink EO0006 Foot Rocker:

1. **Unpacking:** Carefully remove all components from the packaging. Ensure all parts are present.
2. **Assembly:** If necessary, assemble the footrest by attaching the metal base to the plastic footrest surface. The design typically involves a simple connection.
3. **Placement:** Place the footrest on a stable, level surface beneath your desk or workstation.
4. **Height Adjustment:** Adjust the footrest height to your preferred setting. The foot rocker allows for easy height adjustment by turning the rocker mechanism. Choose a high setting for a larger rocking motion or a low setting for a quicker, more subtle movement.



Figure 1: Front view of the Logilink EO0006 Foot Rocker, showing its ergonomic design and non-slip surface.

OPERATING INSTRUCTIONS

Once set up, using the Logilink EO0006 Foot Rocker is straightforward:

1. **Positioning:** Sit comfortably at your desk and place your feet on the footrest surface. Ensure your feet are centered and stable.
2. **Rocking Motion:** Gently rock your feet back and forth. This motion helps to stimulate blood flow in your legs and ankles, reducing stiffness and discomfort associated with prolonged sitting.
3. **Adjusting Rocking Intensity:** Depending on your preference and the desired movement, you can adjust the height setting of the rocker. A higher setting allows for a larger range of motion, while a lower setting provides a quicker, more subtle rock.



Figure 2: Angled view of the Logilink EO0006 Foot Rocker, highlighting its robust construction and textured foot surface.



Figure 3: A person's feet resting on the Logilink EO0006 Foot Rocker under an office desk, demonstrating typical usage.

CARE AND MAINTENANCE

To ensure the longevity and optimal performance of your Logilink EO0006 Foot Rocker, follow these simple maintenance guidelines:

- **Cleaning:** Wipe the surface of the foot rocker with a soft, damp cloth. For stubborn dirt, a mild soap solution can be used. Avoid abrasive cleaners or solvents, as they may damage the material.
- **Inspection:** Periodically inspect the foot rocker for any signs of wear or damage, particularly the rocking mechanism and non-slip components.
- **Storage:** Store the foot rocker in a dry place away from direct sunlight and extreme temperatures when not in use for extended periods.

TROUBLESHOOTING

This section addresses common questions or minor issues you might encounter with your foot rocker.

Foot Rocker is not stable:

- Ensure the foot rocker is placed on a flat, level surface.
- Check that the non-slip pads on the base are clean and intact.
- Verify that the foot rocker is assembled correctly and all connections are secure.

Difficulty with rocking motion:

- Ensure your feet are positioned correctly on the footrest.
- Check if the height adjustment mechanism is set appropriately for your desired rocking intensity.

PRODUCT SPECIFICATIONS

Attribute	Detail
Model Number	EO0006
Product Dimensions (L x W x H)	10.91 x 5.31 x 19.76 inches (27.7 x 13.5 x 50.2 cm)
Item Weight	2.43 pounds (1.1 kg)
Material	Metal, Plastic
Color	Black
Maximum Capacity	10 kg (22 lbs)
Manufacturer	2direct GmbH

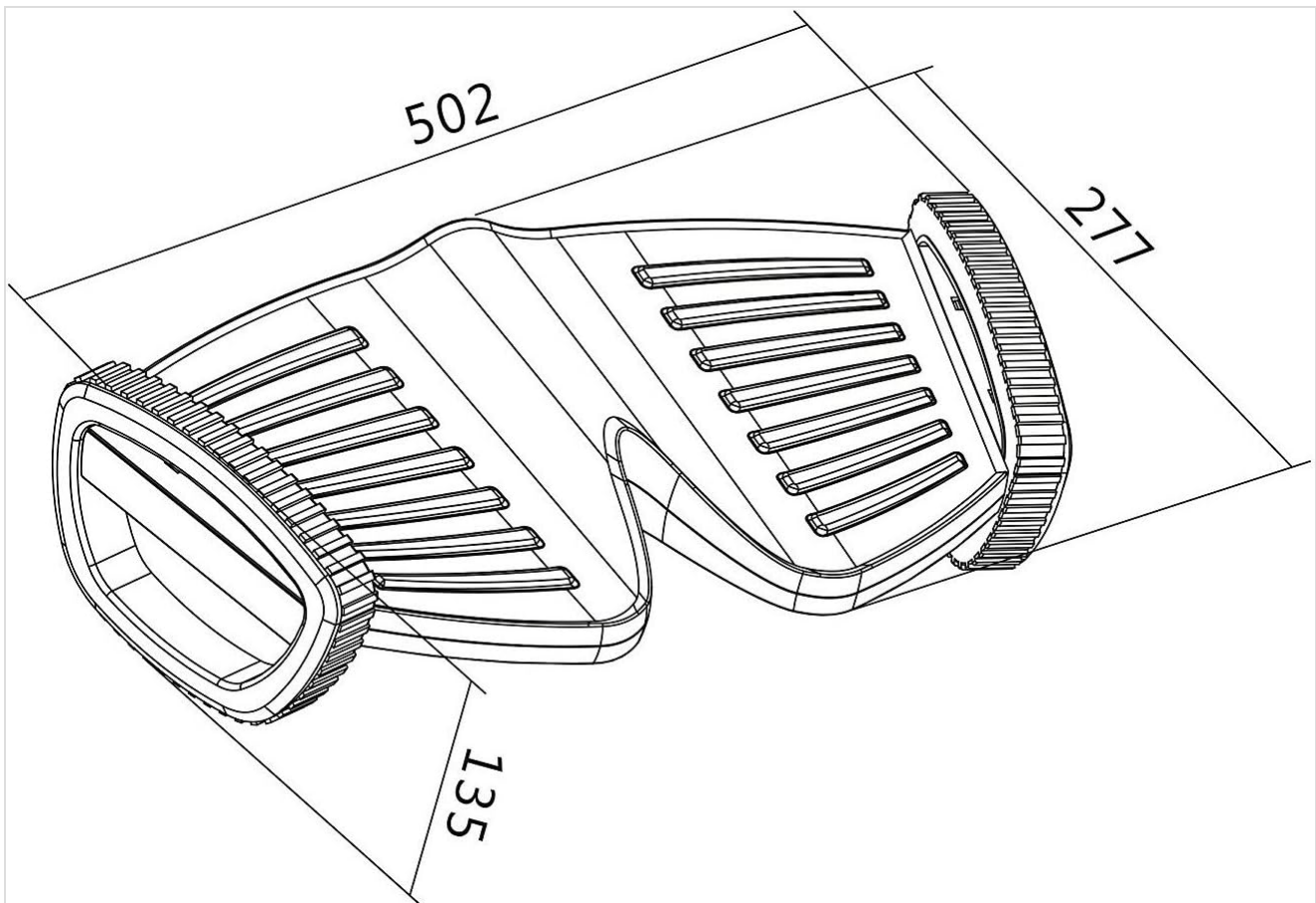


Figure 4: Technical drawing illustrating the dimensions of the Logilink EO0006 Foot Rocker in millimeters.

WARRANTY AND SUPPORT

Specific warranty details for the Logilink EO0006 Foot Rocker are not provided in this manual. For information regarding warranty coverage, returns, or technical support, please refer to the product packaging, the retailer's website where the product was purchased, or contact Logilink customer service directly.

Logilink Contact Information: Please visit the official Logilink website or consult your purchase documentation for the most current contact details.