



Manuals.plus /

› Hafele /

› Hafele Premium Oval Wardrobe Closet Rod with End Supports - 36 inch Installation and User Manual

Hafele B07CZT7GCS

Hafele Premium Oval Wardrobe Closet Rod with End Supports - 36 inch

Installation and User Manual

INTRODUCTION

This manual provides comprehensive instructions for the installation, proper use, and maintenance of your Hafele Premium Oval Wardrobe Closet Rod with End Supports. Please read these instructions carefully before beginning installation to ensure correct setup and optimal performance.

The Hafele Premium Oval Wardrobe Closet Rod is designed to provide a durable and aesthetically pleasing solution for organizing your closet space. Made from alloy steel with a chrome finish, this rod offers robust support for your garments.

PRODUCT COMPONENTS

Your package should contain the following components:

- 5 x Hafele Premium Oval Wardrobe Closet Rods (36 inches each)
- 10 x Hafele Oval Wardrobe Rod End Supports (2 per rod)
- Mounting Screws (quantity sufficient for all supports)

Note: The rods are made of alloy steel with a chrome finish, and the end supports are designed to match.



Image: A close-up view of a single Hafele Oval Wardrobe Rod End Support, showcasing its chrome finish and oval opening for the rod. The support includes a small peg for alignment and screw holes for secure mounting.

SETUP AND INSTALLATION

Proper installation is crucial for the stability and longevity of your closet rod system. Follow these steps carefully:

1. **Measure and Mark:** Determine the desired location for your closet rod. Measure the distance between the two mounting surfaces (e.g., closet walls). Mark the exact height and horizontal position for each end support. Ensure marks are level and symmetrical.
2. **Cut Rod to Size (if necessary):** If the provided 36-inch rod is too long for your space, it can be cut to the required length. Use a circular saw with a metal-rated blade for a clean cut. Always wear appropriate safety gear.
3. **Position End Supports:** Hold an end support against your marked position. The support features small prongs on the back for stability. Mark the locations for these prongs and the screw holes.
4. **Pre-drill Holes:** Using an appropriate drill bit for your wall material (wood, drywall, etc.), pre-drill pilot holes for the mounting screws and the small prongs. This helps prevent splitting and ensures a straight installation. Ensure the holes for the prongs are aligned to prevent an uneven bar.
5. **Secure End Supports:** Attach the end supports to the marked positions using the provided mounting screws. Ensure they are firmly tightened and securely fastened to the wall.
6. **Insert Rod:** Once both end supports are securely mounted, insert the oval closet rod into the openings of the supports. Ensure the rod is fully seated in both supports.

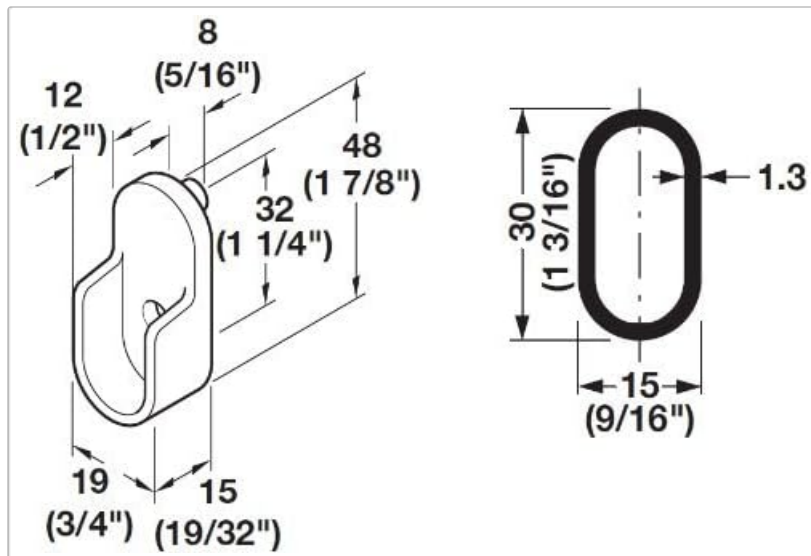


Image: A technical drawing illustrating the dimensions of the Hafele Oval Wardrobe Rod End Support and the oval rod profile. Measurements are provided in millimeters and inches for precise installation planning.



Image: An example of the Hafele Oval Wardrobe Closet Rod installed in a closet, holding multiple garments on hangers. The chrome finish of the rod is visible, complementing the closet interior.

OPERATING INSTRUCTIONS

Once installed, your Hafele Premium Oval Wardrobe Closet Rod is ready for use.

- **Hanging Garments:** Hang clothes directly onto the rod using standard hangers. The oval shape of the rod can help prevent hangers from rotating excessively.
- **Weight Distribution:** Distribute the weight of your garments evenly along the length of the rod to prevent undue stress on any single point or support.
- **Maximum Load:** The maximum recommended weight for this closet rod system is 30 pounds. Exceeding this limit may compromise the integrity of the installation and the rod itself.

MAINTENANCE

To ensure the longevity and appearance of your Hafele closet rod, follow these simple maintenance guidelines:

- **Cleaning:** Wipe the chrome finish with a soft, damp cloth. For stubborn marks, a mild, non-abrasive

cleaner suitable for chrome can be used. Avoid harsh chemicals or abrasive pads, which can damage the finish.

- **Inspection:** Periodically check the end supports and mounting screws to ensure they remain tight and secure. Re-tighten any loose screws as needed.
- **Weight Management:** Regularly assess the weight on the rod to ensure it does not exceed the recommended maximum load of 30 pounds.

TROUBLESHOOTING

If you encounter any issues with your closet rod, consider the following:

- **Rod Sagging:** If the rod appears to sag, first check if the weight distribution is even. If it is, inspect the end supports for looseness. Re-tighten screws or reinforce mounting if necessary. Ensure the total weight does not exceed 30 pounds.
- **Uneven Bar:** An uneven bar is typically caused by misaligned end supports during installation. Carefully remove the supports, re-measure, and re-drill pilot holes to ensure perfect alignment before re-mounting.
- **Loose Supports:** If end supports become loose, check the mounting screws. If the screw holes in the wall are stripped, you may need to use larger screws or wall anchors suitable for your wall material.

SPECIFICATIONS

Brand	Hafele
Model Number	B07CZT7GCS
Material	Alloy Steel
Finish	Chrome
Product Dimensions (each rod)	36 inches (Length)
Item Weight (5-pack)	6.98 Pounds
Maximum Weight Recommendation	30 Pounds
Extendable	No
UPC	669900230933

WARRANTY AND SUPPORT

For warranty information or technical support regarding your Hafele Premium Oval Wardrobe Closet Rod, please contact Hafele customer service directly. Refer to the product packaging or the official Hafele website for contact details.