

[Manuals.plus](#) /

> [WENKO](#) /

> WENKO Lion 3D Soft-Close Toilet Seat Instruction Manual Model 22974100

WENKO 22974100

WENKO Lion 3D Soft-Close Toilet Seat Instruction Manual

Brand: WENKO | Model: 22974100

INTRODUCTION

This manual provides detailed instructions for the installation, operation, maintenance, and troubleshooting of your WENKO Lion 3D Soft-Close Toilet Seat. This toilet seat features a unique 3D lion design, a soft-close (Easy-Close) mechanism for quiet operation, and a hygienic Fix-Clip attachment system for easy installation and cleaning. It is constructed from medium-density fiberboard (MDF) with a multi-layer varnish for durability and moisture resistance.



Image: WENKO Lion 3D Soft-Close Toilet Seat in closed position, showcasing the detailed lion design.

SETUP AND INSTALLATION

The WENKO Lion 3D toilet seat is designed for easy installation on all standard toilets using the Fix-Clip hygienic attachment system.

Required Tools:

- Screwdriver (appropriate for the mounting screws)

Installation Steps:

1. **Prepare the Toilet:** Ensure the toilet bowl is clean and dry where the seat will be mounted. Remove any old toilet seat and hardware.
2. **Position the Fix-Clip Hinges:** Place the Fix-Clip hinges onto the toilet bowl's mounting holes. The hinges are made of stainless steel zinc die-cast.
3. **Adjust Hinge Spacing:** The Fix-Clip system allows for variable adjustment of the mounting distance, typically between 11 cm and 20.5 cm. Adjust the hinges to match your toilet's mounting holes.

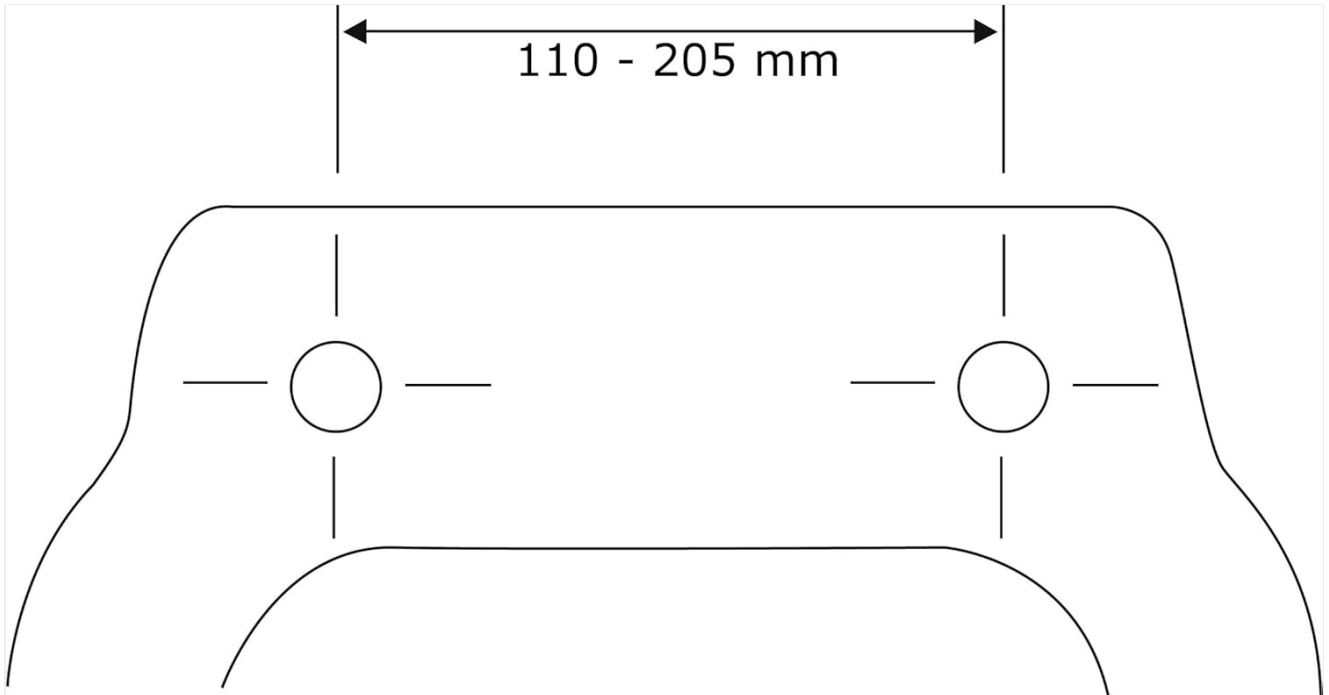


Image: Diagram illustrating the adjustable hinge spacing for installation, ranging from 110mm to 205mm.

4. **Secure the Hinges:** Tighten the screws from underneath the toilet bowl to firmly secure the hinges in place. Do not overtighten.
5. **Attach the Toilet Seat:** Align the toilet seat with the secured Fix-Clip hinges and press down until it clips into place. The hygienic Fix-Clip allows for easy attachment and detachment.





Image: WENKO Lion 3D Soft-Close Toilet Seat in an open position, highlighting the hinge mechanism.

6. **Test Stability:** Gently test the seat for stability. If it wobbles, detach the seat, re-tighten the hinge screws, and re-attach.

OPERATING INSTRUCTIONS

Your WENKO Lion 3D toilet seat is equipped with an Easy-Close automatic soft-closing mechanism for enhanced comfort and safety.

- **Soft-Close Function:** To close the toilet seat or lid, simply push it down gently. The Easy-Close mechanism will engage, allowing the seat and lid to lower slowly and silently without slamming. This prevents loud noises and

reduces the risk of pinched fingers.

- **Opening the Seat:** Lift the seat and lid manually to the desired open position. They will stay in place until gently pushed down.

CARE AND MAINTENANCE

Proper care will ensure the longevity and appearance of your WENKO toilet seat. The multi-layer varnish provides an easy-to-clean and moisture-resistant surface.

- **Regular Cleaning:** Clean the seat regularly with a mild soap solution and a soft cloth.
- **Avoid Harsh Cleaners:** Do not use abrasive cleaners, scouring pads, or strong chemical detergents, as these can damage the varnish and the 3D design.
- **Drying:** Always wipe the seat dry after cleaning to prevent water spots and maintain the finish.
- **Hygienic Cleaning:** For thorough cleaning, the entire seat can be easily detached from the Fix-Clip hinges by simply pressing a button or unscrewing a small screw (depending on the specific hinge design), allowing access to hard-to-reach areas.
- **Hinge Care:** Periodically check the hinges for any signs of corrosion or wear. Clean them with a damp cloth.

TROUBLESHOOTING

If you encounter any issues with your WENKO toilet seat, refer to the following common problems and solutions:

Problem	Possible Cause	Solution
Toilet seat is loose or wobbles.	Mounting screws are not tight enough or hinges are not properly adjusted.	Detach the seat from the Fix-Clip hinges. Re-tighten the mounting screws from underneath the toilet bowl. Ensure hinges are correctly aligned with mounting holes. Re-attach the seat.
Soft-close mechanism is not working smoothly or is noisy.	Mechanism might be dirty or damaged.	Clean the hinge area thoroughly. Ensure no debris is obstructing the mechanism. If the issue persists, the mechanism might be worn or damaged and may require replacement.
Surface (lacquer/MDF) shows signs of swelling or damage.	Prolonged exposure to moisture or harsh cleaning agents.	Always wipe the seat dry after use and cleaning. Avoid using abrasive or chemical cleaners. If damage is significant, replacement may be necessary.
Hinge components (rods/brackets) break.	Excessive force, material fatigue, or manufacturing defect.	Contact WENKO customer support or your retailer for replacement parts or warranty claims.

SPECIFICATIONS

Detailed technical specifications for the WENKO Lion 3D Soft-Close Toilet Seat:

Model Number	22974100
Brand	WENKO

Material	Medium-Density Fiberboard (MDF)
Hinge Material	Zinc die-cast (stainless)
Color	Multicolor (Lion 3D design)
Lid Dimensions (L x W)	44.5 cm x 38 cm (17.5 in x 15 in)
Outer Ring Dimensions (L x W)	43.5 cm x 37 cm (17.1 in x 14.6 in)
Inner Ring Dimensions (L x W)	28 cm x 22.5 cm (11 in x 8.9 in)
Fixing Distance (Hinge Spacing)	11 cm - 20.5 cm (4.3 in - 8.1 in)
Weight	3.62 kg (7.98 lbs)
Operation Mode	Automatic (Soft-Close)

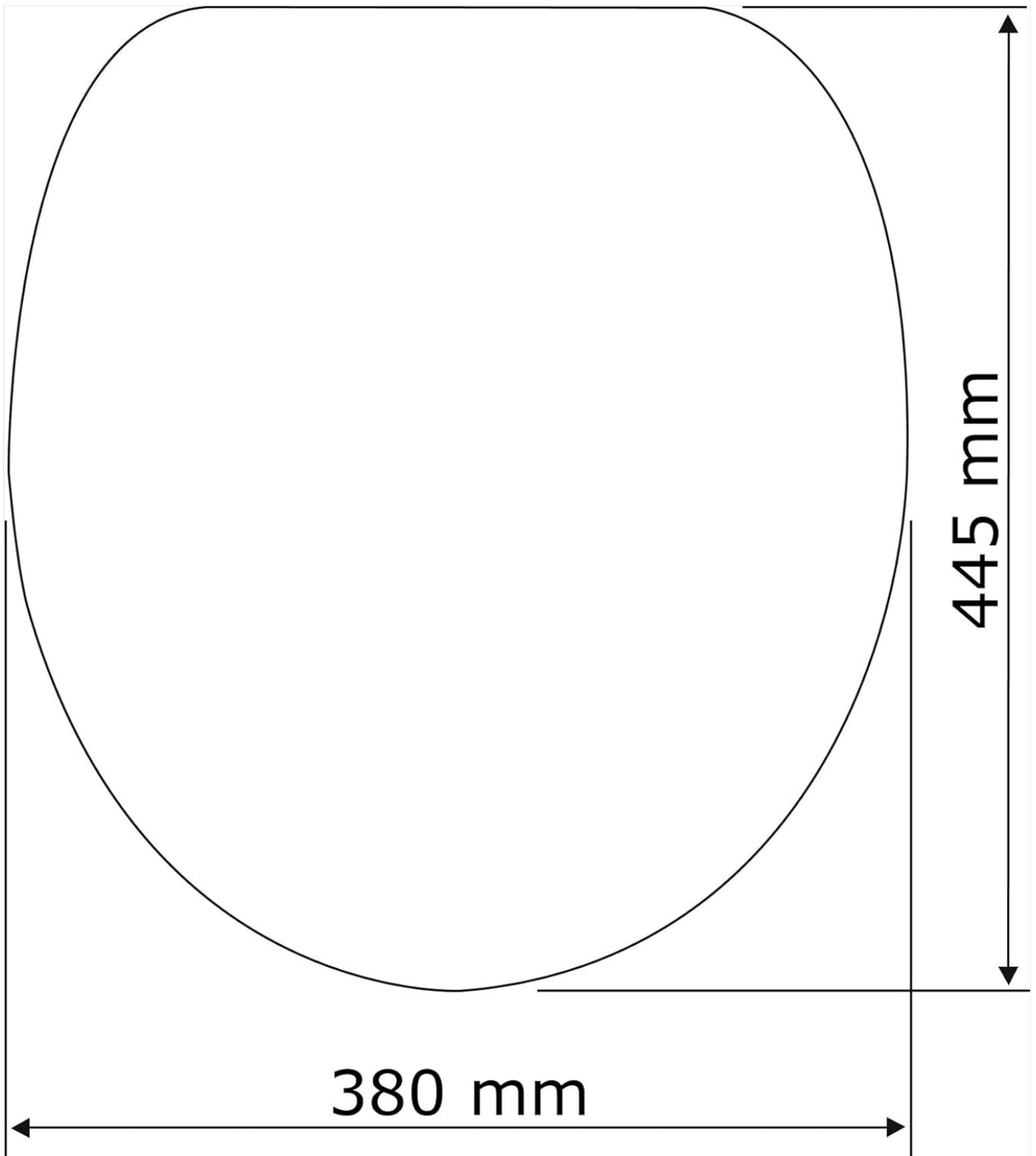


Image: Diagram illustrating the overall dimensions of the toilet seat lid (445mm length, 380mm width).

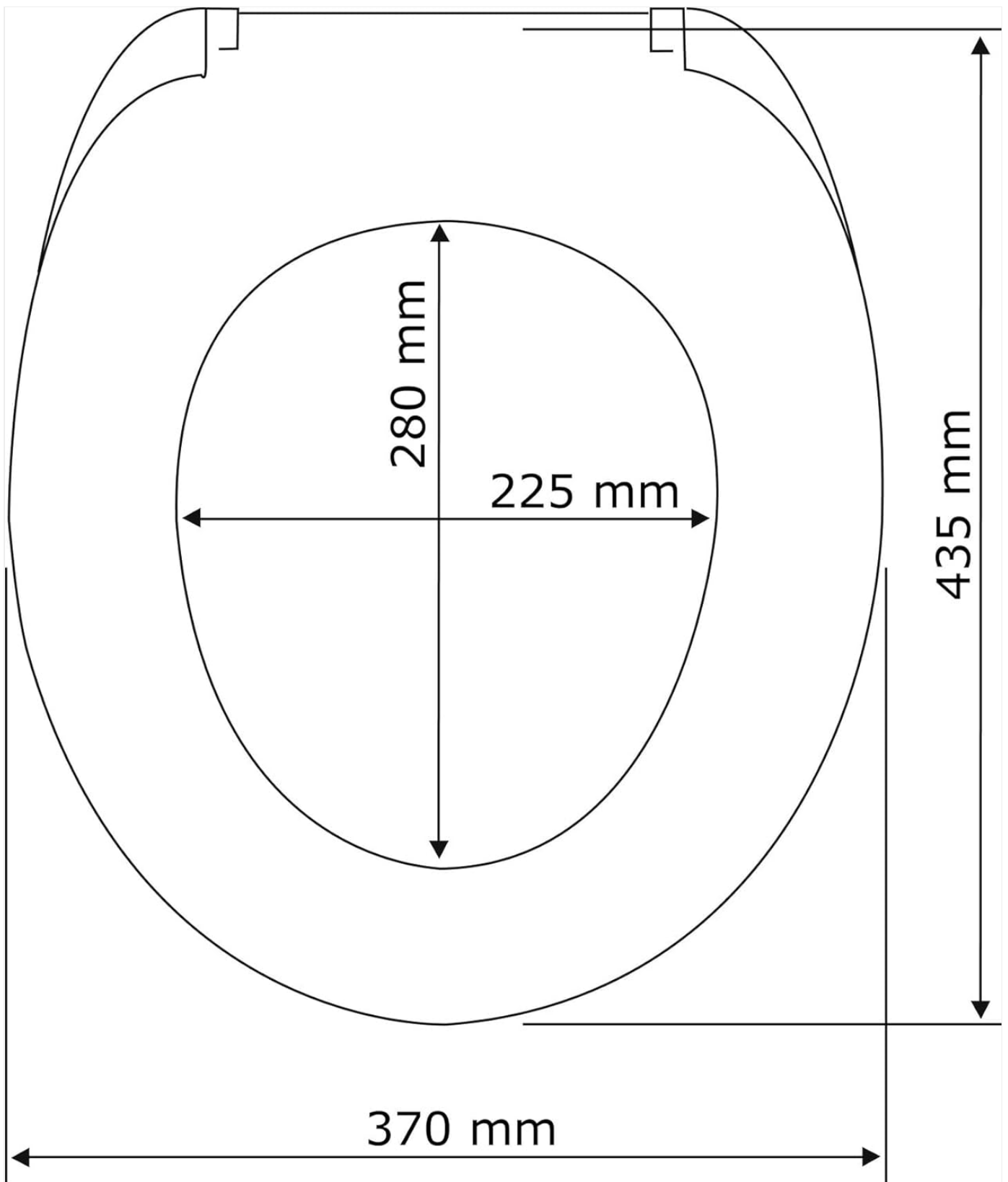


Image: Diagram detailing the outer and inner ring dimensions of the toilet seat (outer: 435mm L x 370mm W; inner: 280mm L x 225mm W).

WARRANTY AND SUPPORT

For specific warranty terms and conditions, please refer to the documentation provided with your purchase or contact your retailer. WENKO products are designed for quality and durability.

For further assistance or to inquire about replacement parts, please contact WENKO customer support through their official website or the retailer from whom you purchased the product.



© 2023 WENKO. All rights reserved.