

Manuals.plus /

› Renogy /

› Renogy 400 Watt 12 Volt Premium Solar Power System with 40A MPPT Charge Controller User Manual

## Renogy 400W 40A MPPT Controller with Cables+Mounts+Monitoring

# Renogy 400 Watt 12 Volt Premium Solar Power System User Manual

Model: 400W 40A MPPT Controller with Cables+Mounts+Monitoring  
Brand: Renogy

## 1. INTRODUCTION

---

Thank you for choosing the Renogy 400 Watt 12 Volt Premium Solar Power System. This manual provides essential information for the safe and efficient installation, operation, and maintenance of your solar kit. Please read this manual thoroughly before installation and retain it for future reference.

This system is designed to provide reliable off-grid power, featuring high-efficiency monocrystalline solar panels and an advanced MPPT charge controller for optimal energy harvesting and battery management.

## 2. SAFETY INFORMATION

---

- Always wear appropriate personal protective equipment (PPE) during installation, including safety glasses and gloves.
- Ensure all electrical connections are secure and properly insulated to prevent short circuits and electrical shock.
- Do not attempt to disassemble or repair the solar panels or charge controller. Refer to qualified personnel for service.
- Keep children and unauthorized personnel away from the solar power system components.
- Avoid touching live electrical parts.
- Ensure proper ventilation around the charge controller and batteries to prevent overheating.

## 3. PACKAGE CONTENTS

---

The Renogy 400 Watt 12 Volt Premium Solar Power System includes the following components:

- (4) Renogy 100 Watt 12 Volt Monocrystalline Solar Panels
- (1) 40A MPPT Rover Charge Controller

- (1) BT-1 Bluetooth Module
- (1) Fuse
- (4) Mounting Z-Brackets (sets for each panel)
- (1) Adaptor Kit
- (1) Tray Cables Set

## **4. SETUP AND INSTALLATION**

---

This section outlines the general steps for setting up your Renogy 400 Watt 12 Volt Premium Solar Power System. For detailed wiring diagrams and specific instructions, please refer to the separate installation guide provided with your kit or visit the official Renogy support website.

### **4.1 Solar Panel Mounting**

The solar panels come with pre-drilled holes and Z brackets for secure mounting. Ensure the mounting surface is sturdy and can support the weight of the panels, especially under wind and snow loads (up to 2400Pa wind, 5400Pa snow).



Image: Four Renogy 100W solar panels and an MPPT charge controller, illustrating the 400W system components.

## Your Off-Grid Solution for Any Adventure

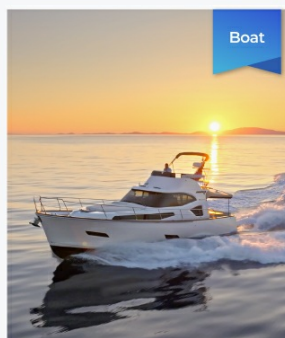


Image: Close-up of solar panel features including IP65 junction box, 1.1-1.2mm aluminum alloy frame, and IP67 solar connectors.

## 4.2 Wiring the System

Connect the solar panels to the 40A MPPT charge controller using the provided adaptor kit and tray cables. The system includes in-line and ANL fuses for overcurrent protection. Ensure all connections are tight and correct polarity is observed.

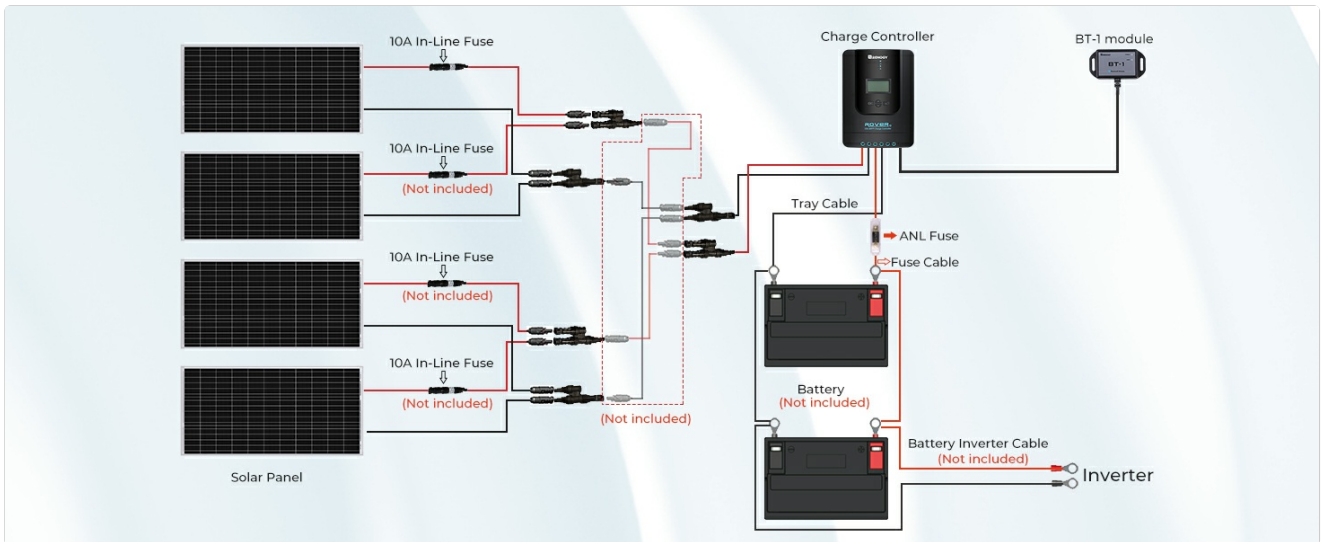


Image: Detailed wiring diagram for the Renogy 400W solar system, showing connections between solar panels, in-line fuses, charge controller, BT-1 module, ANL fuse, tray cable, battery, and inverter.

## 4.3 Charge Controller Connection

The 40A MPPT Rover Charge Controller manages the power flow from your solar panels to your battery bank. Connect the controller to your battery bank first, then connect the solar panels. This sequence is crucial for proper system initialization.

# High Efficiency, Versatile Compatibility

The charge controller works with 12V and 24V DC systems and supports four battery types.

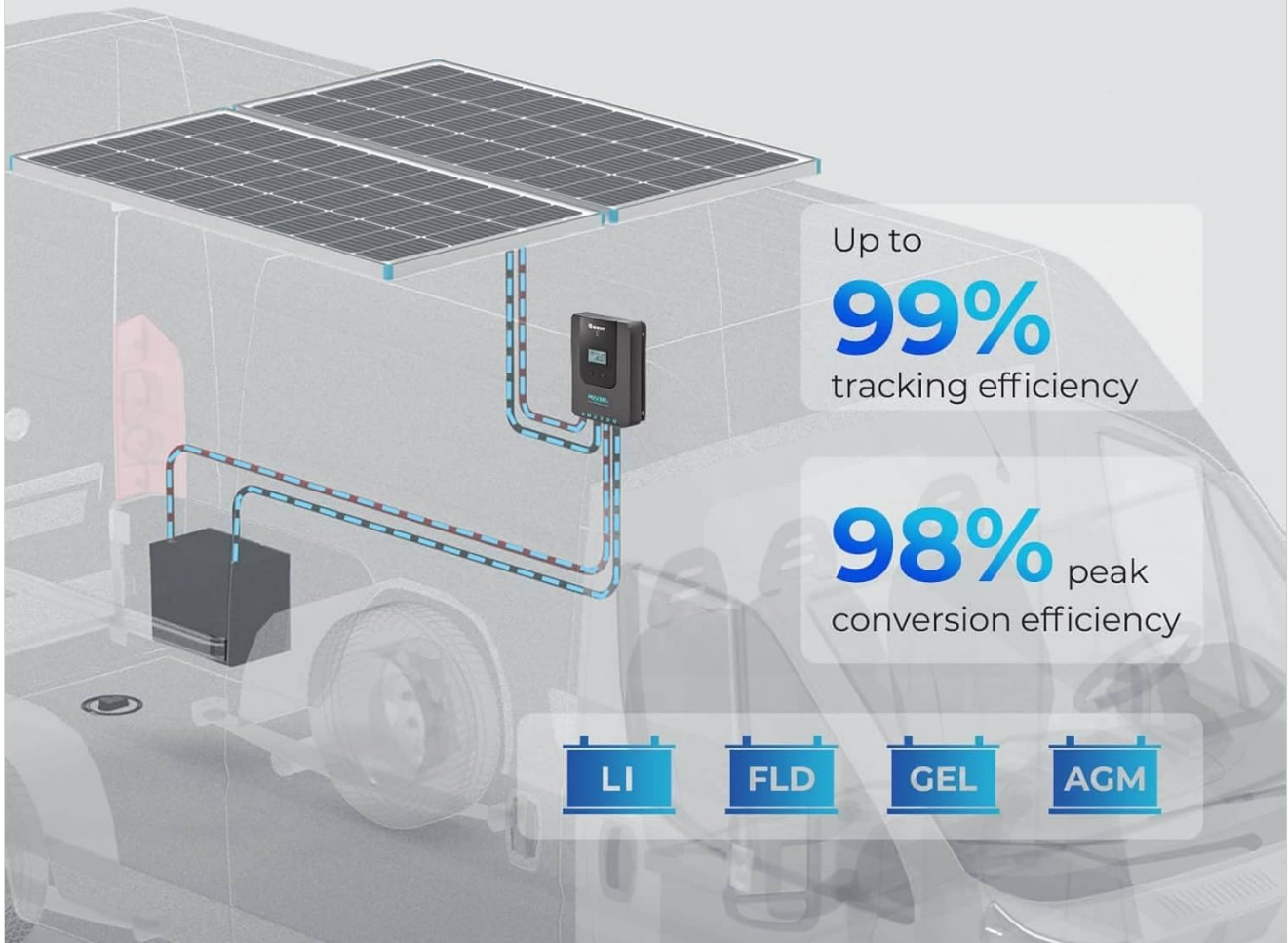


Image: Diagram showing a Renogy charge controller connected to solar panels on a vehicle roof, illustrating high efficiency and versatile compatibility with various battery types (LI, FLD, GEL, AGM).

## 4.4 Bluetooth Module Installation

Connect the BT-1 Bluetooth module to the RS232 port on your MPPT charge controller. This module enables wireless monitoring and parameter adjustment via the Renogy DC Home App.

# Remote Monitoring

Explore detailed data with Renogy DC Home App

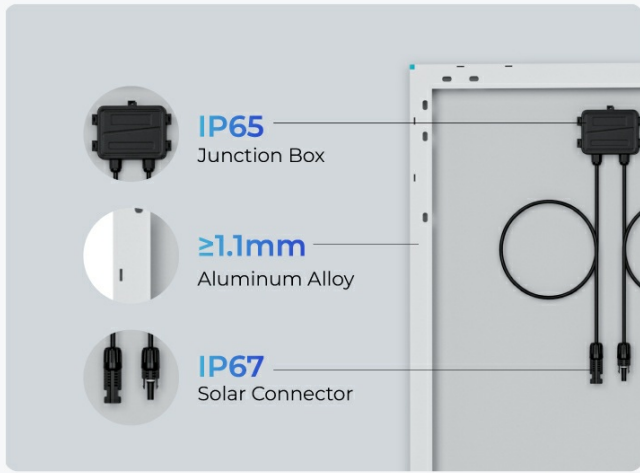


Image: Renogy charge controller and BT-1 Bluetooth module connected, with a smartphone displaying the Renogy DC Home App interface for remote monitoring. A person is shown using a laptop outdoors, indicating remote access up to 82 feet.

## 5. OPERATING INSTRUCTIONS

### 5.1 MPPT Charge Controller Operation

The 40A MPPT charge controller automatically optimizes power output from your solar panels to efficiently charge your batteries. It features 99% tracking efficiency and 98% peak conversion efficiency. The integrated temperature sensor adjusts charging parameters based on battery temperature, preventing under-charging and overcharging.



## Durable and User-friendly Design

Built with a robust 1.1-1.2 mm aluminum frame, 0.4 mm thicker than competitors. Features 20 pre-drilled mounting holes for easy setup and an IP67 waterproof solar connector for reliable outdoor use.

Image: Renogy Rover Charge Controller with icons representing 8 built-in protections: over-temperature, over-discharge, short-circuit, overloading, reverse polarity, and deep discharging protection.

## 5.2 Remote Monitoring with Renogy DC Home App

Once the BT-1 Bluetooth module is connected, download the Renogy DC Home App on your smartphone. Pair your device with the module to monitor real-time data on your controller, battery, and load. You can also adjust controller parameters, such as boost voltage, directly from the app within an 82-foot (25m) signal range.

## 6. MAINTENANCE

---

- **Regular Cleaning:** Keep solar panels clean from dust, dirt, and debris to ensure maximum sunlight absorption. Use a soft cloth and water for cleaning.
- **Inspect Connections:** Periodically check all electrical connections for tightness and corrosion. Loose connections can lead to power loss or safety hazards.
- **Battery Health:** Monitor your battery's state of charge and overall health through the Renogy DC Home App. Follow battery manufacturer guidelines for maintenance.
- **Ventilation:** Ensure the charge controller and battery compartment have adequate ventilation to prevent heat buildup.

## 7. TROUBLESHOOTING

---

If you encounter issues with your Renogy solar power system, consider the following common troubleshooting steps:

- **No Power Output from Panels:** Check for shading on the panels. Verify all panel connections are secure and correct. Ensure the sun is directly hitting the panels.
- **Battery Not Charging:** Confirm the charge controller is properly connected to both the panels and the battery. Check the charge controller display for error codes. Verify battery voltage is within the controller's operating range.
- **Bluetooth Connection Issues:** Ensure the BT-1 module is securely connected to the charge controller. Restart the Renogy DC Home App and try re-pairing. Check the distance between your device and the module.
- **System Overheating:** Ensure adequate ventilation around the charge controller and batteries. Reduce load if necessary.

For more complex issues, please contact Renogy Customer Support.

## 8. SPECIFICATIONS

---

Feature	Specification
Brand	Renogy
Material	Monocrystalline
Product Dimensions (each panel)	41.8"L x 20.9"W x 1.38"H
Item Weight	56.4 Pounds (total kit)
Efficiency	High Efficiency (22.5% cell efficiency)
Maximum Voltage	12 Volts
Maximum Power	400 Watts (total)
Output Voltage	12 Volts
Connector Type	MC4
Charge Controller	40A MPPT Rover Controller
Bluetooth Module	BT-1 Included
Max Battery Voltage	32V

## 9. WARRANTY INFORMATION

---

Renogy provides the following warranty coverage for this product:

- **Solar Panels:** 10-year material and workmanship warranty.
- **MPPT Charge Controller:** 3-year warranty.

For detailed warranty terms and conditions, please refer to the official Renogy warranty statement or contact customer support.

## 10. CUSTOMER SUPPORT

---

If you have any questions, require technical assistance, or need to report an issue, please contact Renogy Customer Support:

- **Website:** Visit the official Renogy website for support resources, FAQs, and contact information.
- **Email/Phone:** Refer to your product packaging or the Renogy website for the most current contact details.

Renogy offers 24-hour prompt response and professional technical guidance.