

vidaXL 43233

vidaXL Manual Retractable Awning 98.4" - User Manual

Model: 43233

1. INTRODUCTION

Thank you for choosing the vidaXL Manual Retractable Awning. This awning is designed to provide adjustable shade for outdoor spaces such as balconies, gardens, and patios. Its durable polyester fabric with PU coating offers protection against UV rays and various weather conditions, while the manual crank system allows for easy extension and retraction. Please read this manual thoroughly before assembly and operation to ensure safe and correct use of your awning. Keep these instructions for future reference.

2. SAFETY INSTRUCTIONS

- **Read All Instructions:** Before assembly and use, carefully read and understand all instructions provided in this manual.
- **Assembly:** Assembly requires at least two adults. Ensure all components are securely fastened before use.
- **Mounting Surface:** Mount the awning only on a sturdy, stable surface capable of supporting its weight and resisting wind loads.
- **Wind and Weather:** Retract the awning during strong winds, heavy rain, or snow to prevent damage to the product and potential injury.
- **Clearance:** Ensure adequate clearance around the awning for safe operation and to prevent obstruction.
- **Maintenance:** Regularly inspect the awning for any signs of wear, damage, or loose fasteners. Address any issues promptly.
- **California Proposition 65 Warning:** This product may expose you to chemicals known to the State of California to cause cancer and reproductive harm. For more information, go to www.P65Warnings.ca.gov.

3. PACKAGE CONTENTS

Verify that all parts are present before beginning assembly. If any parts are missing or damaged, contact vidaXL customer service.

- Awning fabric with frame components
- Support poles
- Manual crank handle
- Mounting hardware (screws, anchors, etc.)
- Assembly instructions

4. SETUP AND ASSEMBLY

Assembly of the vidaXL Manual Retractable Awning requires one person and common tools. Follow the included assembly instructions carefully. The hand crank can be installed on either side for convenience.



Figure 1: Awning Dimensions. This diagram illustrates the overall dimensions of the awning, including width, projection, and adjustable height range.

4.1. Component Overview

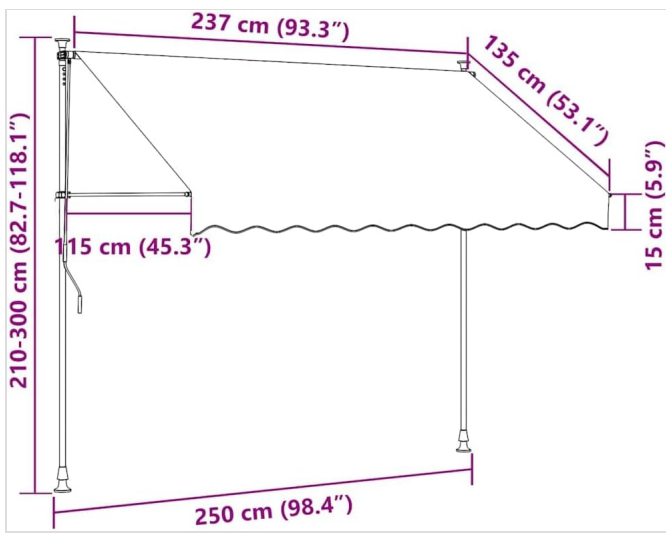


Figure 2: Awning Fabric and Roller. Shows the orange and white striped fabric rolled onto the main mechanism.



Figure 3: Crank Handle Connection. Detail of where the manual crank handle connects to operate the awning.



Figure 4: Support Pole Clamp. Illustrates the adjustable clamp used to secure the support poles.



Figure 5: Support Pole Base. Shows the foot of the support pole designed for stability.

4.2. Installation Steps (General)

1. **Choose Location:** Select a suitable mounting location on a wall or ceiling that can support the awning's weight and provide sufficient clearance.
2. **Mount Brackets:** Securely attach the main awning brackets to the chosen surface using appropriate hardware.
3. **Attach Awning:** Carefully lift and attach the main awning unit to the mounted brackets.
4. **Assemble Support Poles:** Connect the support poles and attach them to the awning's front bar and the ground/base. Adjust height as needed.
5. **Install Crank Handle:** Attach the manual crank handle to the designated connection point (Figure 3).
6. **Test Operation:** Slowly extend and retract the awning to ensure smooth operation and proper alignment.

5. OPERATING INSTRUCTIONS

The vidaXL Manual Retractable Awning is operated using a manual crank handle. This allows for easy adjustment of the awning's extension and angle.

- **To Extend the Awning:** Turn the manual crank handle clockwise. The awning fabric will slowly unroll, and the support arms will extend. Continue turning until the desired shade coverage is achieved.
- **To Retract the Awning:** Turn the manual crank handle counter-clockwise. The awning fabric will roll back onto the main roller, and the support arms will retract. Continue turning until the awning is fully retracted and secure.
- **Adjusting Height/Angle:** The awning can be set at 11 different heights. Adjust the support poles to achieve the desired height and angle for optimal shade. Ensure both poles are adjusted evenly.

Important: Always retract the awning during strong winds, heavy rain, or when not in use to prevent damage.

6. MAINTENANCE

Regular maintenance will prolong the life and appearance of your vidaXL awning.

- **Cleaning the Fabric:**



Figure 6: Awning Fabric Detail. Shows the vibrant orange and white striped pattern of the polyester fabric.

The polyester fabric with PU coating is designed to be UV and weather-resistant. To clean, gently brush off loose dirt. For stubborn stains, use a mild soap solution and a soft brush or cloth. Rinse thoroughly with clean water and allow the awning to air dry completely before retracting.

- **Frame Inspection:** Periodically check the steel frame for any signs of rust, corrosion, or damage. Clean any dirt or debris from the frame.
- **Fastener Check:** Ensure all screws, bolts, and connections are tight and secure. Re-tighten if necessary.
- **Moving Parts:** Keep the crank mechanism and moving joints free of dirt and debris. Lubricate if necessary with a silicone-based spray.
- **Winter Storage:** In areas with harsh winters, it is recommended to retract the awning and store it in a dry, protected area to prevent damage from snow and ice.

7. TROUBLESHOOTING

Problem	Possible Cause	Solution
---------	----------------	----------

Problem	Possible Cause	Solution
Awning does not extend/retract smoothly.	Obstruction in mechanism; dirt/debris in moving parts; crank handle not properly engaged.	Check for obstructions. Clean and lubricate moving parts. Ensure crank handle is fully inserted and engaged.
Awning sags or is uneven.	Support poles unevenly adjusted; loose mounting brackets.	Adjust support poles to equal height. Check and tighten all mounting hardware.
Awning fabric is dirty or stained.	Exposure to elements; accumulated dirt.	Clean fabric as described in the Maintenance section (Section 6).
Awning appears unstable.	Loose fasteners; improper installation; strong winds.	Check all fasteners and mounting points. Ensure proper installation. Retract awning during strong winds.

8. SPECIFICATIONS

Brand	vidaXL
Model Number	43233
Color	Orange and White Stripes
Material	Polyester Fabric with PU Coating, Steel Frame
Dimensions (W x L x H)	98.4" x 98.4" x 118.1" (250 cm x 250 cm x 300 cm)
Minimum Clearance	78.7" (200 cm)
Weight	18.65 lbs (8.46 kg)
Operation Mode	Manual (Crank Handle)
Assembly Required	Yes
UV & Weather Resistant	Yes

9. WARRANTY AND SUPPORT

For warranty information, technical support, or to order replacement parts, please contact vidaXL customer service directly. Refer to your purchase documentation for specific warranty terms and contact details.

You can typically find support information on the official vidaXL website or through the retailer where you purchased the product.