



[Manuals.plus](#) /

› [Penta](#) /

› Penta Mundo 6001 Basin Faucet User Manual

Penta Mundo 6001

Penta Mundo 6001 Basin Faucet User Manual

Model: Mundo 6001

INTRODUCTION

Thank you for choosing the Penta Mundo 6001 Basin Faucet. This manual provides detailed instructions for the safe installation, proper operation, and effective maintenance of your new faucet. Please read this manual thoroughly before installation and retain it for future reference.

PRODUCT FEATURES

- Elegant Design
- Chrome Plated Brass Body
- Ceramic Disc Cartridge for smooth operation and durability
- Single Handle Operation

SAFETY INFORMATION

Always turn off the main water supply before beginning any installation or maintenance work. Ensure all connections are secure to prevent leaks. If you are unsure about any part of the installation, consult a qualified plumber.

PACKAGE CONTENTS

Verify that all components are present before starting the installation:

- Penta Mundo 6001 Basin Faucet
- Flexible Hoses (Hot and Cold)
- Mounting Hardware (washers, nuts, gaskets)

INSTALLATION INSTRUCTIONS

Tools Required (Not Included):

- Adjustable Wrench
- Phillips Head Screwdriver
- Plumber's Putty or Silicone Sealant
- Flashlight (optional)

Step-by-Step Installation:

1. **Prepare the Installation Area:** Turn off the main water supply. Clear the area under the sink. Remove any old faucet if applicable.

2. **Install the Faucet:**

Insert the flexible hoses into the faucet body. Ensure they are hand-tightened securely. Place the faucet base gasket onto the bottom of the faucet. Insert the faucet body and attached hoses through the single hole in the basin.

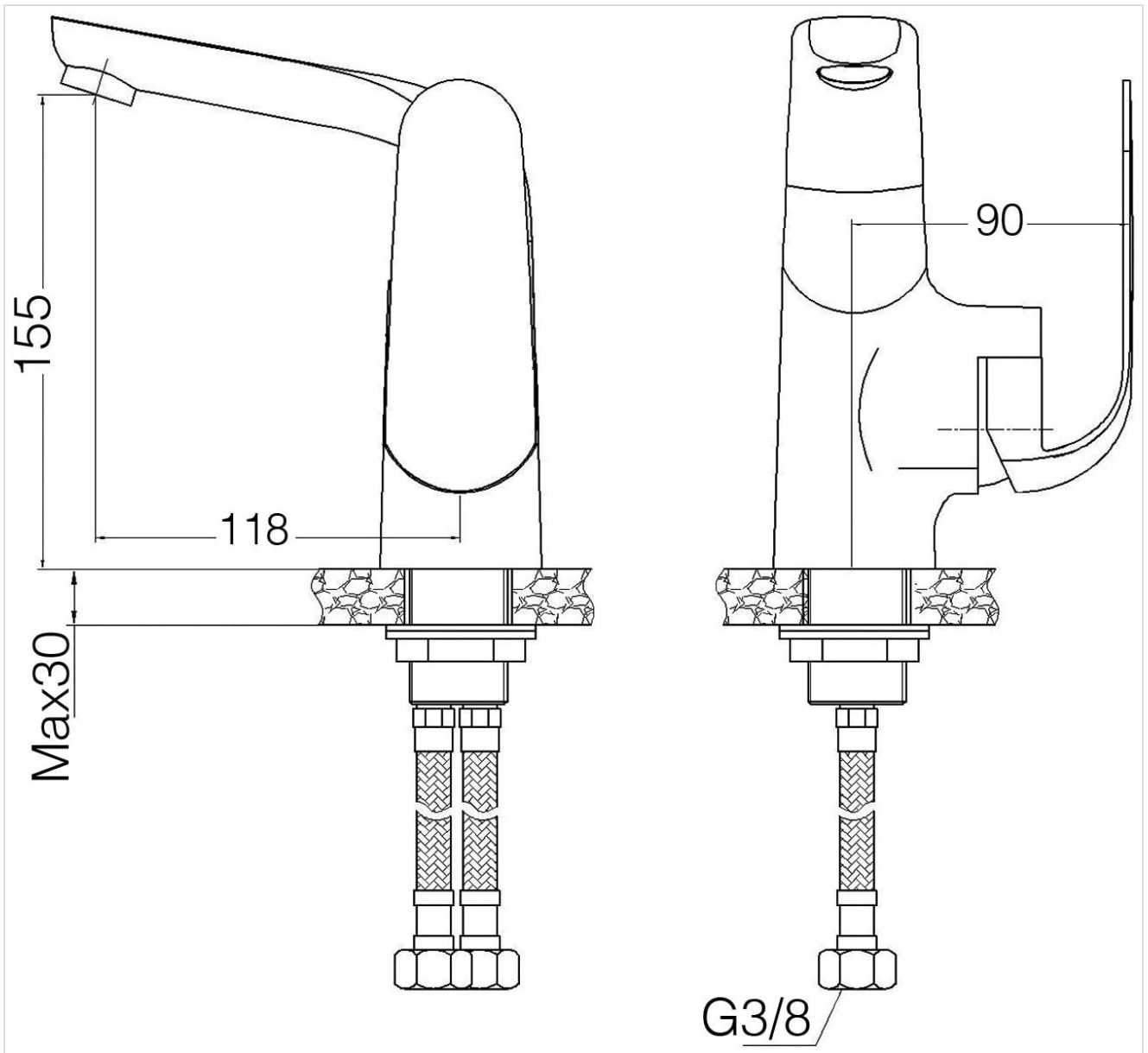


Image: Technical drawing showing the dimensions and components of the Penta Mundo 6001 Basin Faucet. Key dimensions include a total height of 155mm, spout reach of 118mm, and a maximum basin thickness of 30mm. The connection size is G3/8.

3. **Secure the Faucet:**

From underneath the basin, slide the rubber washer, then the metal washer, and finally the mounting nut onto the threaded shank of the faucet. Hand-tighten the nut, then use an adjustable wrench to secure it firmly. Do not

overtighten.

4. Connect Water Supply Lines:

Connect the flexible hoses from the faucet to the hot and cold water supply valves. The hot water line is typically on the left, and the cold water line on the right. Use an adjustable wrench to tighten connections, but do not overtighten.

5. Test for Leaks:

Slowly turn on the main water supply. Check all connections for leaks. If any leaks are detected, tighten the connections slightly until the leak stops. Operate the faucet to ensure proper hot and cold water flow.

OPERATING INSTRUCTIONS

The Penta Mundo 6001 Basin Faucet features a single lever handle for controlling both water flow and temperature.

- **Water Flow:** Lift the handle upwards to increase water flow. Push it downwards to decrease or stop the flow.
- **Water Temperature:** Move the handle to the left for hot water and to the right for cold water. Adjust the position between left and right to achieve the desired temperature.

MAINTENANCE AND CARE

Regular cleaning and proper maintenance will ensure the longevity and appearance of your Penta Mundo 6001 Basin Faucet.

- **Cleaning:** Clean the faucet regularly with a soft cloth and mild soap. Avoid abrasive cleaners, harsh chemicals, or scouring pads, as these can damage the chrome finish.
- **Aerator Maintenance:** Periodically unscrew the aerator at the end of the spout and clean any debris or mineral buildup. This helps maintain optimal water flow.
- **Leak Prevention:** If you notice any drips or leaks, check the connections and ensure they are tight. If the issue persists, the ceramic disc cartridge may need inspection or replacement.

TROUBLESHOOTING

Problem	Possible Cause	Solution
Low Water Flow	Clogged aerator; partially closed water supply valve.	Clean the aerator. Ensure water supply valves are fully open.
Faucet Leaks	Loose connections; worn cartridge.	Check and tighten all connections. If leaking from the handle, the ceramic cartridge may need replacement.
No Hot/Cold Water	Water supply valve closed; reversed hot/cold connections.	Ensure both hot and cold water supply valves are open. Verify hot and cold lines are connected correctly.

SPECIFICATIONS

Brand: Penta

Model Name: Mundo 6001

Model Number: 6001

Product Type: Basin Faucet

Finish Type: Chrome

Color: Chrome

Handle Count: 1

Installation Type: Single Hole

Included Components: Basin faucet, flexible hoses, mounting hardware

Product Weight: 1.64 Kilograms

Country of Origin: Turkey

Note: All dimensions are approximate and subject to manufacturing tolerances.

WARRANTY INFORMATION

The Penta Mundo 6001 Basin Faucet comes with a **5-Year Warranty** from the date of purchase. This warranty covers manufacturing defects in materials and workmanship under normal use. It does not cover damage resulting from improper installation, misuse, abuse, accident, or normal wear and tear. Please retain your proof of purchase for warranty claims.

CUSTOMER SUPPORT

For technical assistance, replacement parts, or warranty inquiries, please contact Penta customer service. Refer to your purchase documentation for contact details or visit the official Penta website.