

[Manuals.plus](#) /

› [Bosch](#) /

› Bosch Built-in Microwave Oven BEL523MS0 User Manual

Bosch BEL523MS0

Bosch Built-in Microwave Oven BEL523MS0 User Manual

Model: BEL523MS0 | Brand: Bosch

1. INTRODUCTION

This manual provides essential information for the safe and efficient operation of your Bosch BEL523MS0 built-in microwave oven. Please read these instructions carefully before using the appliance for the first time and keep them for future reference. This appliance is designed for domestic use only.



Front view of the Bosch BEL523MS0 built-in microwave oven, featuring a black glass door and stainless steel trim.

2. SAFETY INSTRUCTIONS

Always adhere to the following safety guidelines to prevent injury or damage to the appliance:

- Read all instructions before using the appliance.
- Do not attempt to operate this oven with the door open as this can result in harmful exposure to microwave energy.
- Do not heat liquids or other foods in sealed containers as they are liable to explode.
- Only allow children to use the oven without supervision when adequate instructions have been given so that the child is able to use the oven in a safe way and understands the hazards of improper use.
- If the door or door seals are damaged, the oven must not be operated until it has been repaired by a competent person.
- The appliance is intended for heating food and beverages. Drying of food or clothing and heating of warming pads, slippers, sponges, damp cloth and similar may lead to risk of injury, ignition or fire.
- Regularly clean the oven and remove any food deposits.

3. SETUP AND INSTALLATION

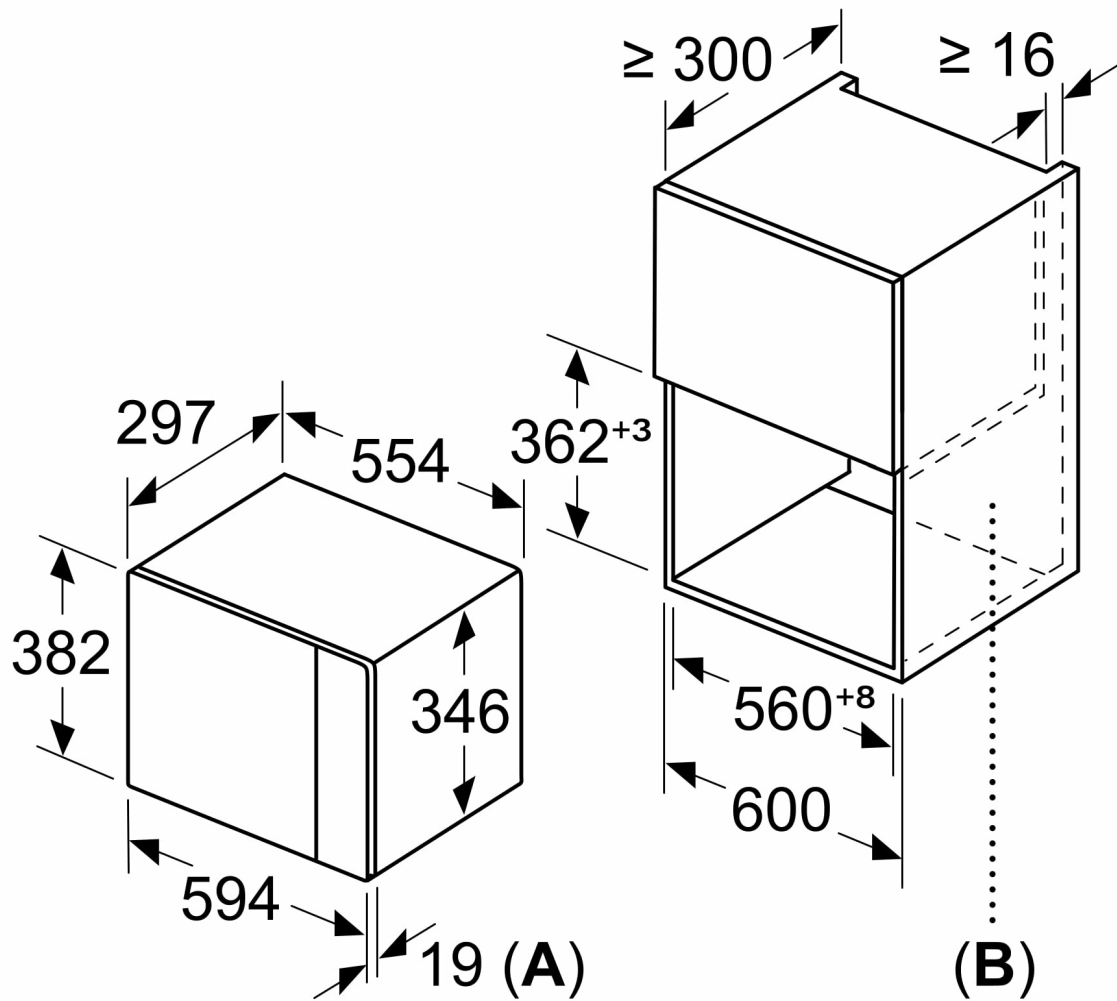
3.1 Unpacking

Carefully remove the microwave oven from its packaging. Inspect the appliance for any signs of damage. Retain the packaging materials for potential future transport or return.

3.2 Placement and Built-in Dimensions

The BEL523MS0 is designed for built-in installation. Ensure the cabinet dimensions meet the requirements for proper ventilation and fit. Refer to the diagram below for precise measurements.

Dimensiones en mm



A: 20 mm para frontal de metal

B: Pared trasera abierta

Technical drawing illustrating the required dimensions in millimeters for built-in installation of the microwave. Key dimensions include 594mm width, 382mm height, and 317mm depth for the appliance, with specific cabinet opening requirements.

3.3 Electrical Connection

Connect the appliance to a properly installed, earthed socket. The voltage must correspond to the specifications on the rating plate. Do not use extension cords or multiple sockets.



The Bosch BEL523MS0 microwave integrated into a kitchen cabinet, showcasing its sleek design with the door closed.

4. OPERATING INSTRUCTIONS

4.1 Control Panel Overview

The microwave features an LED display with red light and retractable controls for ease of use.



Detailed view of the control panel, highlighting the LED display, rotary selector knob, and touch-sensitive buttons for functions like Start, Stop, time settings, power levels, and pre-programmed recipes.

4.2 Setting the Time

Upon first connection or after a power outage, the display will flash. Use the rotary knob to set the current time, then press the 'Start' button to confirm.

4.3 Microwave Cooking

To cook or reheat food using microwave power:

1. Place food in a microwave-safe container on the glass turntable.
2. Close the door.
3. Select the desired power level (e.g., 800W, 600W, 360W, 180W, 90W) using the corresponding button.
4. Use the rotary knob to set the cooking time.
5. Press 'Start' to begin cooking.

4.4 Grill Function

The grill function is ideal for browning and crisping food.

1. Place food on the grill rack provided, ensuring it is centered on the turntable.
2. Close the door.
3. Select the 'Grill' function button.
4. Set the desired grilling time using the rotary knob.
5. Press 'Start' to begin grilling.

4.5 Pre-programmed Recipes

The appliance features 8 pre-programmed recipes for optimal results. To use:

1. Place the food in the oven.
2. Press the 'M' (Memory/Menu) button repeatedly to cycle through the pre-programmed options.
3. Use the rotary knob to select the food type and weight as indicated on the display.
4. Press 'Start' to begin the automatic program.

4.6 Electronic Door Opening

The microwave door opens electronically. Simply press the designated door open button on the control panel to release the door.



The microwave door is open, showing the spacious stainless steel interior, the glass turntable, and the metal grill rack positioned inside.

5. CARE AND MAINTENANCE

5.1 Cleaning the Interior and Exterior

Clean the microwave regularly to maintain its performance and appearance.

- **Interior:** Wipe the interior cavity with a damp cloth and mild detergent after each use. For stubborn food residues,

place a bowl of water with lemon juice inside and heat for a few minutes to loosen the grime, then wipe clean.

- **Exterior:** Clean the exterior surfaces, including the control panel and door, with a soft, damp cloth. Avoid abrasive cleaners or harsh chemicals that could damage the finish.

5.2 Cleaning Accessories

The glass turntable and grill rack can be removed and washed by hand or in a dishwasher.

6. TROUBLESHOOTING

Before contacting customer service, please check the following common issues:

Problem	Possible Cause	Solution
Oven does not start	No power supply; Door not closed properly; Time not set.	Check power connection; Ensure door is securely closed; Set the current time.
Food not heating evenly	Food not stirred or rotated; Incorrect power level/time.	Stir or turn food halfway through cooking; Adjust power level and cooking time.
Light inside oven not working	Bulb needs replacement.	Contact qualified service personnel for bulb replacement.
Excessive steam inside oven	High moisture content in food.	This is normal for foods with high water content. Wipe dry after use.

7. SPECIFICATIONS

Technical data for the Bosch BEL523MS0 microwave oven:

- **Model:** BEL523MS0
- **Brand:** Bosch
- **Type:** Built-in Microwave with Grill
- **Microwave Power:** 800 W
- **Grill Power:** 1000 W (derived from feature bullets, assuming it refers to grill power)
- **Capacity:** 20 Liters
- **External Dimensions (H x W x D):** 38.2 x 59.4 x 31.7 cm
- **Cavity Dimensions (H x W x D):** 20.1 x 30.8 x 28.2 cm
- **Material:** Stainless Steel (interior and trim)
- **Control Type:** Electronic with LED display and retractable rotary knob
- **Special Features:** 8 Pre-programmed recipes, Electronic door opening
- **Power Supply:** 220-240V, 50Hz
- **Weight:** 17.3 kg

8. WARRANTY AND SUPPORT

Your Bosch BEL523MS0 microwave oven comes with a manufacturer's warranty. Please refer to the warranty card included with your purchase for specific terms and conditions, including the warranty period and coverage details. For technical

assistance, spare parts, or to schedule a service appointment, please contact Bosch customer support in your region. You can find contact information on the official Bosch website or in the documentation provided with your appliance.