

[Manuals.plus](#) /

> [hansgrohe](#) /

> hansgrohe Metropol Wide Bath Spout Instruction Manual

hansgrohe 32543000

hansgrohe Metropol Wide Bath Spout Instruction Manual

Model: 32543000

[Installation](#) [Operation](#) [Maintenance](#) [Safety Information](#) [Troubleshooting](#) [Setup & Specifications](#) [Warranty & Support](#)

INTRODUCTION

This manual provides detailed instructions for the installation, operation, and maintenance of your hansgrohe Metropol Wide Bath Spout. Please read this manual thoroughly before installation and use to ensure proper function and safety. Keep this manual for future reference.



Image: The hansgrohe Metropol Wide Bath Spout, showcasing its elegant chrome finish and modern design.

SAFETY INFORMATION

Always observe the following safety precautions:

- Installation must be performed by a qualified professional in accordance with local plumbing and building codes.
- Ensure water supply is turned off before beginning any installation or maintenance work.
- Protect the product from frost.
- Do not use abrasive cleaners or harsh chemicals on the chrome finish.
- This product is designed for high-pressure water systems only (over 1.0 bar).

SETUP & INSTALLATION

The hansgrohe Metropol Wide Bath Spout features an exposed design for straightforward wall-mounted installation. All working parts are located outside the wall, simplifying the process.

Installation Steps:

1. **Prepare the Installation Area:** Ensure the wall surface is clean, dry, and structurally sound. Turn off the main water supply.
2. **Mounting:** Position the spout on the wall according to the desired height and location. The spout is designed for wall-mounting.
3. **Connect Water Supply:** Connect the G 3/4 water supply line to the spout's inlet. Ensure all connections are secure and watertight.
4. **Secure the Spout:** Fasten the spout securely to the wall using appropriate mounting hardware.
5. **Check for Leaks:** Slowly turn on the main water supply and inspect all connections for any leaks.

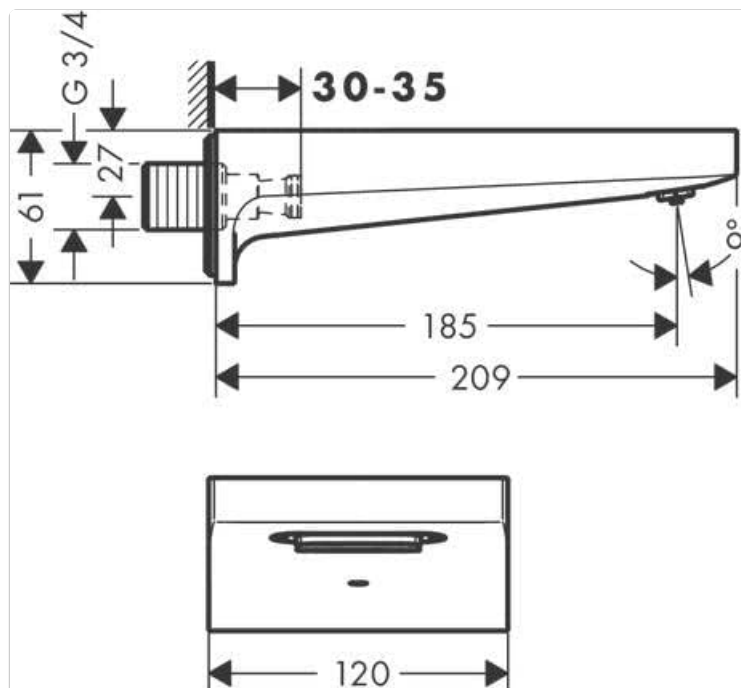


Image: Technical drawing illustrating the dimensions and connection points for the hansgrohe Metropol Wide Bath Spout. Key dimensions include a spout length of 185 mm and a G 3/4 connection.



Image: An installed hansgrohe Metropol Wide Bath Spout, demonstrating its integration into a contemporary bathroom environment alongside a hand shower and control unit.

OPERATING INSTRUCTIONS

The Metropol Wide Bath Spout is designed to deliver a wide flood jet of water for efficient tub filling. It operates with a flow rate of 28 liters per minute at 3 bar pressure.

- To activate the water flow, use the associated bath mixer or valve (sold separately).
- The spout provides a wide flood jet, ensuring rapid and even water distribution into the bathtub.

MAINTENANCE

Regular cleaning and maintenance will ensure the longevity and optimal performance of your bath spout.

Cleaning the Spout:

- **Quick Clean Technology:** The spout features Quick Clean technology, allowing for easy removal of limescale. Simply rub your fingertips over the flexible silicone nozzles to dislodge any mineral deposits.
- **Surface Cleaning:** Clean the chrome surfaces with a soft cloth and a mild, non-abrasive cleaning agent specifically designed for bathroom fixtures.
- **Avoid Harsh Chemicals:** Do not use cleaners containing hydrochloric acid, formic acid, chlorine bleach, or acetic

acid, as these can damage the finish. Avoid abrasive sponges or brushes.

- **Rinse Thoroughly:** After cleaning, rinse the spout thoroughly with clean water and dry with a soft cloth to prevent water spots.

TROUBLESHOOTING

If you encounter issues with your bath spout, refer to the following common problems and solutions:

Problem	Possible Cause	Solution
Reduced Water Flow	Limescale buildup in the nozzles.	Use Quick Clean technology: rub the silicone nozzles with your fingers to remove limescale.
Water Leaks from Connections	Loose connections or damaged seals.	Turn off water supply, check and tighten connections. Replace seals if necessary. If problem persists, contact a qualified plumber.
Spout Drips After Use	Residual water in the spout or an issue with the mixer valve.	A small amount of dripping is normal as water drains. If dripping is excessive or continuous, inspect the mixer valve (not part of the spout) or consult a plumber.

For problems not listed here or if solutions do not resolve the issue, please contact hansgrohe customer support or a qualified plumbing professional.

SPECIFICATIONS

Feature	Detail
Brand	hansgrohe
Model Name	Metropol
Model Number	32543000
Finish Type	Chrome
Material	Silicone (for nozzles)
Mounting Type	Wall Mount
Spout Reach	185 mm
Flow Rate	28 l/min at 3 bar
Recommended Water Pressure	High pressure only (over 1.0 bar)
Jet Type	Wide Flood Jet
Special Feature	Quick Clean Technology, AirPower
Item Weight	2.72 Kilograms
Item Dimensions (D x W x H)	8.23"D x 4.72"W x 2.4"H

WARRANTY & SUPPORT

hansgrohe products are manufactured to high-quality standards. For specific warranty information regarding your Metropol Wide Bath Spout, please refer to the warranty documentation included with your purchase or visit the official hansgrohe website.

For technical assistance, spare parts, or further inquiries, please contact hansgrohe customer service. You can find contact details on the official hansgrohe website or through your local distributor.

Visit the official hansgrohe store for more information:[hansgrohe Store](#)

