

## Balay 3CG4175X0

# Balay 3CG4175X0 Integrated Microwave Oven

## INSTRUCTION MANUAL

### 1. Important Safety Instructions

---

Read all instructions carefully before using the appliance. Keep this manual for future reference. Failure to follow these instructions may result in electric shock, fire, or injury.

- Do not attempt to operate this oven with the door open as this can result in harmful exposure to microwave energy.
- Do not place any object between the oven front face and the door or allow soil or cleaner residue to accumulate on sealing surfaces.
- Do not operate the oven if it is damaged. It is particularly important that the oven door closes properly and that there is no damage to the: (1) door (bent), (2) hinges and latches (broken or loosened), (3) door seals and sealing surfaces.
- The oven should not be adjusted or repaired by anyone except properly qualified service personnel.
- Ensure the appliance is properly grounded.
- Do not heat liquids or other foods in sealed containers since they are liable to explode.
- Only use utensils that are suitable for use in microwave ovens.
- Clean the oven regularly and remove any food deposits.

### 2. Product Overview

---

The Balay 3CG4175X0 is an integrated microwave oven designed for seamless integration into your kitchen cabinetry. It features a 25-liter capacity and a powerful 900W microwave output, complemented by a grill function for versatile cooking. The appliance is finished in black with stainless steel accents and controlled via a modern touch interface.



Figure 2.1: Front view of the Balay 3CG4175X0 Integrated Microwave Oven.



Figure 2.2: Interior view of the Balay 3CG4175X0 with the door open.

### 3. Setup and Installation

This appliance is designed for integrated installation into a kitchen cabinet. Due to the nature of integrated appliances, professional installation is highly recommended to ensure proper fit, ventilation, and electrical connection.

#### 3.1. Installation Dimensions

Ensure your cabinet opening meets the required dimensions for proper installation. Refer to the diagram below for detailed measurements.

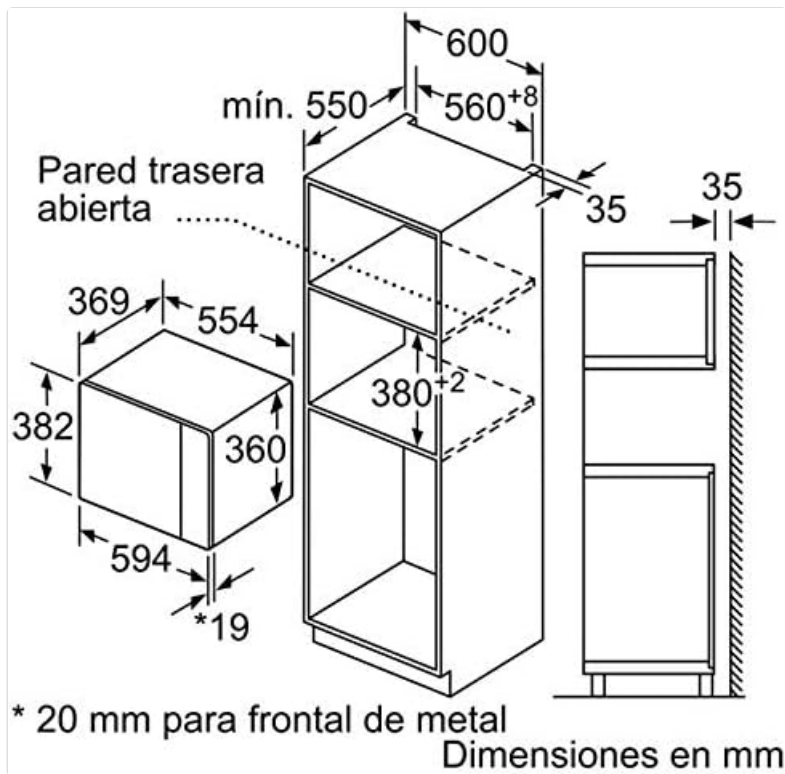


Figure 3.1: Installation dimensions for the Balay 3CG4175X0. Dimensions are in millimeters.

- **Appliance Dimensions (H x W x D):** 38.2 x 59.4 x 38.2 cm
- **Required Niche Height:** Approximately 38.0 cm
- **Required Niche Width:** Approximately 56.0 cm
- **Required Niche Depth:** Minimum 55.0 cm
- Ensure adequate ventilation space as indicated in the diagram.

### 3.2. Electrical Connection

Connect the appliance to a properly grounded electrical outlet. The voltage requirement is 220V. If in doubt, consult a qualified electrician.

## 4. Operating Instructions

The Balay 3CG4175X0 features a user-friendly touch control panel. Familiarize yourself with the controls before first use.



Figure 4.1: Touch Control Panel.

## 4.1. Setting the Clock

1. When the oven is first plugged in or after a power interruption, the display will show '12:00' or '0:00'.
2. Press the **Clock** icon (often represented by a clock symbol).
3. Use the **+** and **-** controls to set the current time.
4. Confirm the setting by pressing the **Clock** icon again or waiting a few seconds.

## 4.2. Microwave Cooking

1. Place the food in a microwave-safe container on the glass turntable.
2. Close the oven door securely.
3. Select the desired power level by touching one of the power icons: **90W, 180W, 360W, 600W, 900W**.
4. Use the **+** and **-** controls to set the cooking time.
5. Press the **Start** button (often represented by a play symbol or a circle with a dot) to begin cooking.
6. To pause cooking, open the door or press the **Pause/Stop** button. To resume, close the door and press **Start**.
7. To cancel cooking, press the **Pause/Stop** button twice.

## 4.3. Grill Function

The grill function allows for browning and crisping food. Always use heat-resistant dishes when grilling.

1. Place food on the grill rack (if provided) or a heat-resistant dish.
2. Close the oven door.
3. Press the **Grill** icon (often represented by a zigzag line).
4. Set the desired grilling time using the **+** and **-** controls.
5. Press **Start** to begin grilling.

## 4.4. Defrosting by Weight/Time

This microwave offers defrosting programs based on food weight or time.

- **Defrost by Weight:** Press the **Weight Defrost** icon (often represented by a scale or food item). Use the **+** and **-** controls to enter the food weight. The oven will automatically calculate the defrosting time. Press **Start**.
- **Defrost by Time:** Press the **Time Defrost** icon (often represented by a clock or timer). Use the **+** and **-** controls to set the desired defrosting time. Press **Start**.

## 5. Maintenance and Cleaning

---

Regular cleaning and maintenance will ensure the longevity and optimal performance of your microwave oven.

### 5.1. Cleaning the Interior

- After each use, wipe the interior with a damp cloth to remove food splatters.
- For stubborn stains, place a bowl of water with lemon juice inside and microwave for 2-3 minutes. The steam will loosen the grime, making it easier to wipe away.
- Do not use abrasive cleaners, steel wool, or harsh chemicals, as these can damage the interior surfaces.
- The glass turntable can be removed and washed in warm soapy water or in a dishwasher.

## 5.2. Cleaning the Exterior

- Wipe the exterior surfaces with a soft, damp cloth.
- For stainless steel parts, use a specialized stainless steel cleaner and polish in the direction of the grain.
- Avoid getting water into ventilation openings.

## 5.3. Door Seal Care

Regularly inspect the door seals and sealing surfaces for any damage or food residue. Clean them gently with a damp cloth to ensure a proper seal during operation.

## 6. Troubleshooting

If you encounter issues with your microwave oven, refer to the following common problems and solutions before contacting service.

Problem	Possible Cause	Solution
Oven does not start	Power cord not plugged in; Door not closed properly; Fuse blown or circuit breaker tripped.	Ensure power cord is securely plugged in; Close the door firmly; Check household fuse/circuit breaker.
Food not heating	Incorrect power level or cooking time set; Door not closed properly; Metal utensils used.	Adjust power level and cooking time; Ensure door is fully closed; Use only microwave-safe dishes.
Turntable not rotating	Turntable not correctly placed; Obstruction under turntable; Motor malfunction.	Ensure turntable is correctly seated on its support; Remove any obstructions; Contact service if issue persists.
Sparks or arcing inside oven	Metal or foil in oven; Damaged oven interior.	Remove all metal objects; Inspect oven interior for damage. Discontinue use and contact service if damage is present.

## 7. Specifications

Detailed technical specifications for the Balay 3CG4175X0 Integrated Microwave Oven.

Feature	Specification
Brand	Balay
Model Number	3CG4175X0
Product Dimensions (H x W x D)	38.2 x 59.4 x 38.2 cm
Weight	18 Kilograms
Capacity	25 Litres

Feature	Specification
Power	900 W
Voltage	220 V
Material	Stainless Steel
Color	Black
Installation Type	Built-in
Sound Level	44 Decibels
Human Interface Input	Keypad, Touchscreen

## 8. Warranty and Support

---

For warranty information and customer support, please refer to the documentation provided with your purchase or visit the official Balay website. Keep your proof of purchase for any warranty claims.

In case of technical issues not covered in the troubleshooting section, or for professional repairs, contact Balay customer service or an authorized service center.