

[Manuals.plus](#) /

› [Skyworth](#) /

› Skyworth 49U5A LED-LCD TV User Manual

Skyworth 49U5A

Skyworth 49U5A LED-LCD TV User Manual

Model: 49U5A

INTRODUCTION

This manual provides essential information for the safe and efficient operation of your Skyworth 49U5A LED-LCD TV. Please read this manual thoroughly before using the television and retain it for future reference.

SAFETY INFORMATION

Always follow basic safety precautions when using this television to reduce the risk of fire, electric shock, and injury. Keep the television away from moisture and heat sources. Do not block ventilation openings. Refer to the full safety guidelines provided in the packaging for detailed instructions.

WHAT'S IN THE BOX

Verify that all components are present upon unpacking your Skyworth 49U5A LED-LCD TV.

- Skyworth 49U5A LED-LCD TV
- TV Stand (2 pieces)
- Remote Control (requires 2 AAA batteries, not always included)
- Power Cord
- User Manual (this document)
- Warranty Card

SETUP

1. Stand Installation

To install the TV stand:

1. Carefully place the TV face down on a soft, flat surface to prevent screen damage.

2. Align each stand piece with the corresponding screw holes on the bottom of the TV.
3. Secure each stand piece using the provided screws. Ensure they are tightened firmly.



Image: Close-up view of the TV stand securely attached to the television base.

Alternatively, the TV can be wall-mounted using a compatible VESA mount (not included). Refer to the wall mount manufacturer's instructions for installation.

2. Connecting Devices

Connect external devices such as cable boxes, Blu-ray players, or gaming consoles to the TV's input ports. The Skyworth 49U5A features HDMI, USB, and Ethernet connectivity.





Image: Side profile of the TV displaying available input ports for external devices.

- **HDMI:** For high-definition audio and video. Use an HDMI cable to connect your device to an HDMI port on the TV.
- **USB:** For connecting USB storage devices to play media files.
- **Ethernet:** For a wired internet connection.
- **Antenna/Cable:** For connecting an antenna or cable TV signal.

3. Power On

After connecting all necessary cables, plug the power cord into an electrical outlet. Press the power button on the remote control or on the TV itself to turn on the television.

OPERATING INSTRUCTIONS

Remote Control

The included remote control allows you to navigate the TV's features. Insert two AAA batteries (not always included) into the remote control, observing polarity.

Voice Command

Voice on Android TV can search contents on the one hand, also become a commanding method for saving the steps of TV operations. Android OS has the ability of learning user's habits, which will know more commands in the near future as the system upgrades.



**With Google Assistant
Built-in, you can do more..**

Image: The TV remote control, featuring a microphone button for voice commands.

- **Power Button:** Turns the TV on or off.
- **Navigation Buttons (Up/Down/Left/Right/OK):** For menu navigation and selection.
- **Volume +/-:** Adjusts the volume level.
- **Channel +/-:** Changes TV channels.
- **Source:** Selects input sources (HDMI, USB, TV).
- **Home:** Returns to the Android TV home screen.
- **Back:** Returns to the previous screen.
- **Voice Command Button:** Activates the Google Assistant for voice search and commands.

Android TV Interface

Your Skyworth 49U5A TV runs on the Android TV operating system, providing access to various apps and streaming services.



Image: The Android TV home screen, showing various applications and content recommendations.

1. **Home Screen:** Displays recommended content, installed apps, and input sources.
2. **Apps:** Access the Google Play Store to download and install additional applications.
3. **Settings:** Configure network settings, display options, sound, and other TV preferences.

Voice Command (Google Assistant)

The built-in Google Assistant allows you to control your TV and search for content using your voice. Press the Voice Command button on your remote and speak clearly into the microphone.



Image: Detail of the TV's lower bezel, featuring the Skyworth brand and Google Assistant branding.

- Search for movies, TV shows, or videos.
- Open applications.
- Control playback (play, pause, stop).
- Adjust volume or change channels.

MAINTENANCE

Proper maintenance ensures the longevity of your television.

- **Cleaning the Screen:** Gently wipe the screen with a soft, lint-free cloth. For stubborn marks, use a screen cleaner specifically designed for LED/LCD displays. Do not spray cleaner directly onto the screen.
- **Cleaning the Cabinet:** Use a soft, dry cloth to wipe the TV cabinet. Avoid using abrasive cleaners or solvents.
- **Ventilation:** Ensure the ventilation openings on the back of the TV are not blocked to prevent overheating.
- **Power Cord:** Regularly check the power cord for any damage. If damaged, discontinue use and contact customer support.

TROUBLESHOOTING

If you encounter issues with your TV, refer to the following common solutions:

Problem	Possible Solution
No power	Ensure the power cord is securely plugged into both the TV and a working electrical outlet. Try a different outlet.
No picture, but sound is present	Check the input source. Press the Source button on the remote to cycle through inputs. Ensure external devices are powered on and connected correctly.
No sound, but picture is present	Check the volume level. Ensure the TV is not muted. Check audio cables for external devices.
Remote control not working	Replace the batteries in the remote control. Ensure there are no obstructions between the remote and the TV's IR sensor.
Android TV interface is slow or unresponsive	Restart the TV by unplugging it from the power outlet for 30 seconds, then plugging it back in. Check your internet connection speed.
Voice command not working	Ensure the remote control is paired with the TV. Speak clearly and close to the microphone on the remote. Check internet connection.

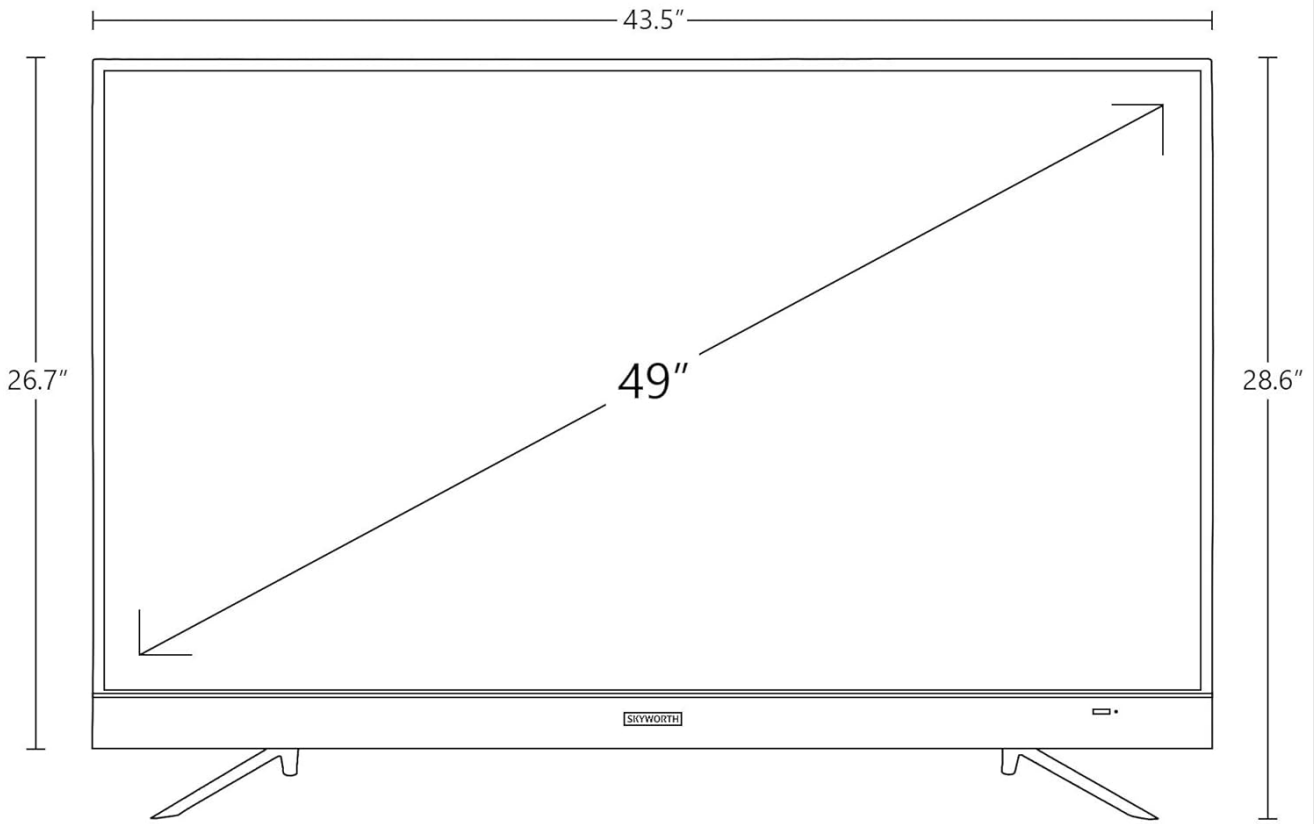
For further assistance, please contact Skyworth customer support.

SPECIFICATIONS

Key technical specifications for the Skyworth 49U5A LED-LCD TV:

Feature	Detail
Model Number	49U5A
Screen Size	49 Inches
Display Technology	LED-LCD
Resolution	4K (3840 x 2160)
Refresh Rate	120 Hz
Operating System	Android TV
Connectivity	Ethernet, HDMI, USB, Wi-Fi
Audio Output	20 Watts (Speaker Maximum Output Power)
Item Weight	30.6 Pounds
Dimensions (Unit Size with Stand)	43.5" x 9.6" x 28.6"
UPC	875382000036

49U5A



Model	Size	Net Weight	Gross Weight	Unit Size with Stand	Unit Size without Stand	Package Size	UPC
49U5A	49"	26.1 lbs	33 lbs	43.5" x 9.6" x 28.6"	43.5" x 3.6" x 26.7"	48.8" x 5.7" x 16.7"	875382000036

Image: Diagram illustrating the physical dimensions of the Skyworth 49U5A TV.

WARRANTY AND SUPPORT

For warranty information, please refer to the warranty card included with your product. For technical support or service inquiries, please contact Skyworth customer service. Contact details are typically found on the warranty card or the official Skyworth website.

Online Resources: Visit the official Skyworth website for FAQs, software updates, and additional support documentation.