



[Manuals.plus](#) /

> [Sojag](#) /

> Sojag Outdoor 10' x 14' Verona Hardtop Gazebo Instruction Manual

## Sojag 314-9160734

# Sojag Outdoor 10' x 14' Verona Hardtop Gazebo Instruction Manual

Model: 314-9160734

## 1. IMPORTANT SAFETY INFORMATION

---

Read all instructions carefully before assembly and use. Failure to follow these instructions may result in injury or damage to the product.

- **Assembly:** Always follow assembly instructions carefully to avoid potential hazards during setup. It is recommended that two people perform the assembly, which typically takes approximately 6 hours.
- **Anchoring:** Ensure the gazebo is properly anchored to the ground to withstand wind and outdoor weather elements.
- **Snow Accumulation:** Remove any snow accumulation from the gazebo roof promptly to preserve its durability and stability. Excessive snow load can cause structural damage.
- **Fabric Removal:** If applicable, remove fabric pieces (such as mosquito netting and curtains) during the winter season or in anticipation of severe weather conditions to prevent damage.
- **Flame Resistance:** This gazebo meets CPAI-84 flame-resistant international safety standards. However, keep all flame and heat sources away from the gazebo fabric.

## 2. SETUP AND ASSEMBLY

---

This section provides general guidance for the assembly of your Sojag Verona Hardtop Gazebo. Refer to the detailed assembly manual included with your product for step-by-step instructions and a complete parts list.

### 2.1 Pre-Assembly Checklist

- Verify all parts are present and undamaged according to the packing list.
- Gather necessary tools (e.g., ladder, screwdriver, wrench).
- Choose a level and stable location for installation.

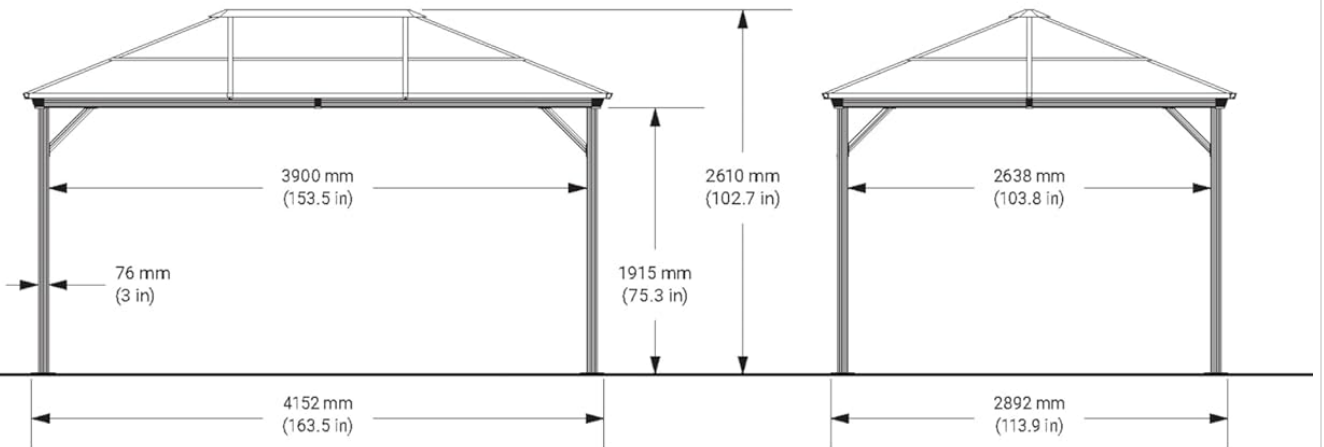
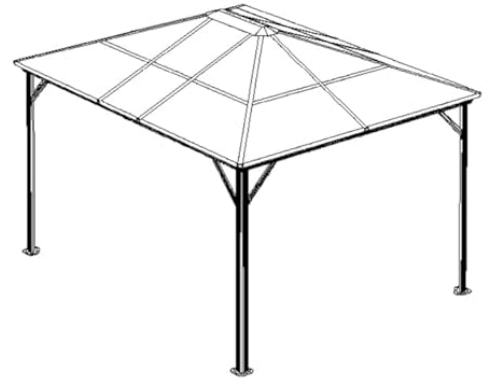
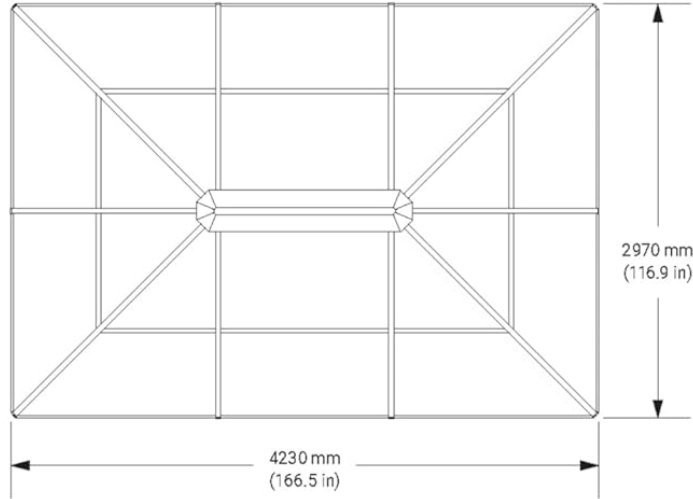
### 2.2 Assembly Overview

Assembly involves constructing the aluminum frame, attaching the polycarbonate roof panels, and installing the mosquito netting and curtains. Two individuals are required for safe and efficient assembly.

# Verona

ft 10 x 14

October 2025 ver 2



**SOJAG**  **SHELTERLOGIC**

All information on this document are the sole property of Shelterlogic. Reproduction of this document, in whole or in part, without written permission is illegal.

Figure 1: Schematic diagram showing the dimensions of the Sojag Verona Hardtop Gazebo (10 x 14 ft).



Figure 2: Detail of a gazebo corner post, illustrating structural components.



Figure 3: Base plate of a gazebo leg, designed for secure anchoring to the ground.

### 3. OPERATING INSTRUCTIONS

---

The Sojag Verona Gazebo is designed to provide a comfortable outdoor living space. Its features are intended for ease of use and protection from elements.

#### 3.1 Mosquito Netting and Curtains

The gazebo includes nylon mosquito netting and features a two-track system for easy hanging and attachment of both the netting and optional curtains (sold separately). This system allows for simultaneous use, providing protection from insects while offering privacy or additional shade.

- To deploy the mosquito netting, slide it along the inner track.
- To deploy curtains, slide them along the outer track.
- Secure netting and curtains using the integrated ties or fasteners when not in use or during windy conditions.

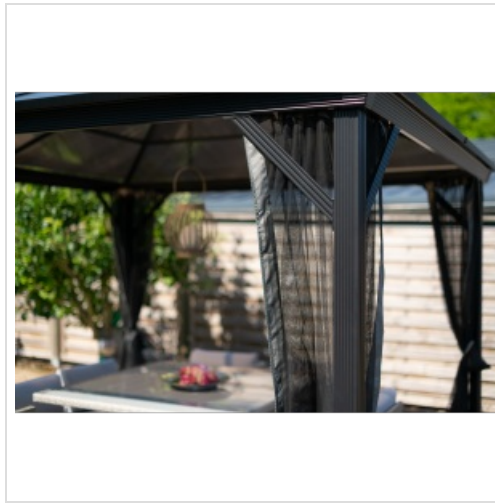


Figure 4: Detail of the two-track system for hanging mosquito netting and curtains.

### 3.2 Environmental Protection

The tinted polycarbonate roof panels are UV protected, offering shade and protection from excessive sun exposure. The hardtop design provides shelter from rain, allowing for comfortable use in various weather conditions.

## 4. MAINTENANCE

Regular maintenance will extend the life and appearance of your gazebo.

- **Frame Cleaning:** The dark grey powder-coated aluminum frame is treated to resist rust and corrosion. Clean the frame periodically with mild soap and water. Rinse thoroughly and dry.
- **Roof Panel Cleaning:** The UV-protected tinted polycarbonate panels can be cleaned with a soft cloth, mild soap, and water. Avoid abrasive cleaners or tools that could scratch the surface.
- **Netting and Curtains:** Clean nylon mosquito netting and curtains as needed with mild soap and water. Ensure they are completely dry before storing or folding to prevent mildew.
- **Winter Preparation:** Sojag recommends removing fabric pieces (netting and curtains) during the winter season. Consider purchasing a Sojag winter cover (sold separately) to protect the entire structure from harsh winter conditions and heavy snow loads.
- **Inspection:** Periodically inspect all bolts, screws, and anchors to ensure they are tight and secure. Replace any worn or damaged parts immediately.

## 5. TROUBLESHOOTING

This section addresses common issues you might encounter with your gazebo. For problems not listed here, please contact customer support.

Problem	Possible Cause	Solution
Gazebo feels unstable or sways.	Improper anchoring; loose connections.	Ensure all anchor points are securely fastened to the ground. Check and tighten all bolts and screws on the frame.
Water pooling on the roof.	Excessive snow or debris accumulation.	Immediately remove snow or debris from the roof. Ensure roof panels are correctly installed and sealed.
Mosquito netting or curtains do not slide smoothly.	Debris in tracks; damaged runners.	Clean tracks of any dirt or obstructions. Inspect runners for damage and replace if necessary.

## 6. SPECIFICATIONS

Feature	Detail
Model Number	314-9160734
UPC	772830160734
Assembled Dimensions (L x W x H)	166.6" x 116.9" x 102.7" (14' x 10' x 8.5')
Floor Area	140 Square Feet
Item Weight	142.2 Pounds
Frame Material	Aluminum (Dark Grey Powder-Coated)
Roof Material	6 mm (0.2") UV-Protected Tinted Polycarbonate Panels
Water Resistance Level	Water Resistant
UV Protection	True
Assembly Required	Yes (Approx. 6 hours with 2 people)
Occupancy	6-8 people
Color	Charcoal

## 7. WARRANTY AND SUPPORT

### 7.1 Warranty Information

The Sojag Outdoor 10' x 14' Verona Hardtop Gazebo comes with a **1-year limited warranty**. This warranty covers manufacturing defects under normal use and service conditions. Please retain your proof of purchase for warranty claims.

### 7.2 Customer Support

For assistance with assembly, missing parts, or warranty claims, please contact Sojag customer support. Refer to the contact information provided in your product packaging or visit the official Sojag website.