

Vanity Art VA4015-3W

Vanity Art 15 Inch Bathroom Vanity Cabinet VA4015-3W Instruction Manual

Model: VA4015-3W

1. INTRODUCTION

This manual provides detailed instructions for the assembly, operation, maintenance, and troubleshooting of your Vanity Art 15 Inch Bathroom Vanity Small Base Cabinet with 3 Soft Closing Shaker Drawers, Model VA4015-3W. Please read all instructions carefully before beginning assembly and retain this manual for future reference.

2. SAFETY INFORMATION

- Always use appropriate safety gear, such as gloves and eye protection, during assembly.
- Ensure all parts are securely fastened before use. Loose parts can cause injury or damage.
- Do not overload drawers. Distribute weight evenly to prevent tipping.
- Keep small parts and hardware away from children and pets to prevent choking hazards.
- If any parts are missing or damaged, do not proceed with assembly. Contact customer support immediately.

3. PACKAGE CONTENTS

Before assembly, verify that all components are present and undamaged. The package should contain:

- Cabinet panels (sides, back, bottom, top frame)
- Drawer components (fronts, sides, backs, bottoms)
- Soft-closing drawer slides
- Assembly hardware (screws, dowels, brackets, handles)
- Shelves (if applicable, as per product description)

4. TOOLS REQUIRED

-
- Phillips head screwdriver
 - Hammer (preferably rubber mallet)
 - Drill with appropriate drill bits (for pilot holes, if needed)
 - Measuring tape
 - Level

5. SETUP AND ASSEMBLY

Assembly is required for this cabinet. It is recommended to assemble the unit on a soft, clean surface to prevent scratches. While the instructions are generally straightforward, some steps may require careful attention, especially regarding pilot holes and drawer slide installation.

5.1. Cabinet Frame Assembly

1. Identify all cabinet panels (sides, back, bottom, top frame).
2. Connect the side panels to the bottom panel using the provided hardware. Ensure all connections are snug.
3. Attach the back panel. Some connections may require pre-drilling pilot holes if not already present. Use caution to avoid drilling too deep.
4. Secure the top frame.
5. Verify the cabinet frame is square and stable.

5.2. Drawer Assembly

1. Assemble each drawer box by connecting the side, front, and back panels. Slide the drawer bottom into the grooves.
2. Attach the drawer fronts to the assembled drawer boxes.
3. Install the soft-closing drawer slides onto the drawer boxes and inside the cabinet frame. Ensure correct orientation for smooth operation. It may be helpful to remove plastic brackets from the ends of the slides and install them first, then attach the main rails.
4. Carefully insert the assembled drawers into the cabinet. Test for smooth opening and closing.

5.3. Final Placement

Once assembled, place the cabinet in its desired location. This is a floor-mount unit. Ensure the surface is level for optimal stability.

DIMENSION AND SIZE

■ 32 1/2"

■ 21"

■ 15"

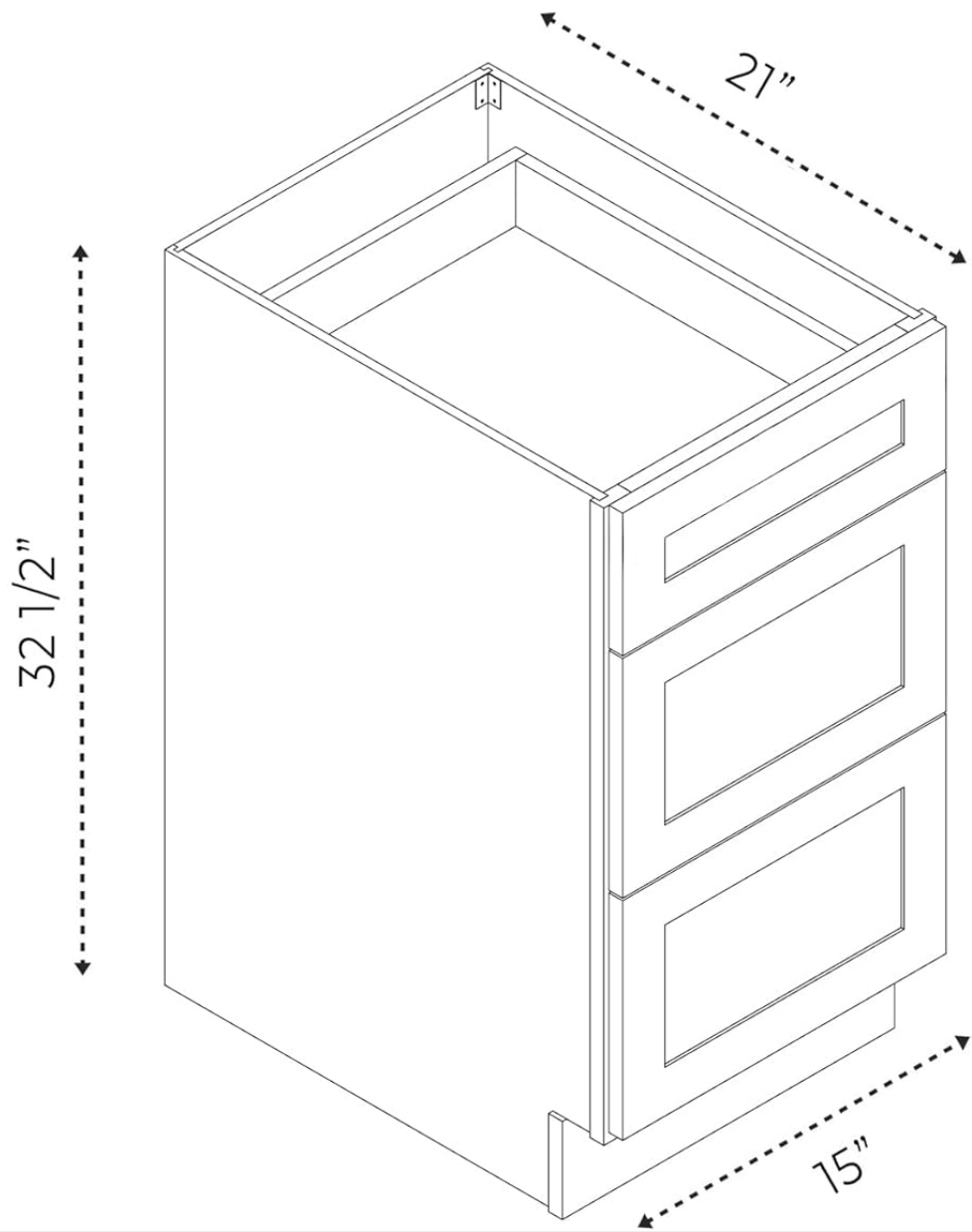


Figure 1: Product Dimensions (32.5" H x 21" D x 15" W)



Figure 2: Assembled Cabinet Front View



Figure 3: Cabinet with Drawers Open

6. OPERATING INSTRUCTIONS

Your Vanity Art cabinet features three soft-closing shaker drawers. To operate:

- **Opening Drawers:** Gently pull the drawer handle to open.
- **Closing Drawers:** Push the drawer gently until the soft-closing mechanism engages. The drawer will then close smoothly and quietly on its own. Avoid forcing the drawers shut, as this can damage the mechanism.

7. MAINTENANCE

Proper care will ensure the longevity and appearance of your engineered wood cabinet.

- **Cleaning:** Wipe surfaces with a soft, damp cloth. Avoid abrasive cleaners, harsh chemicals, or

excessive moisture, which can damage the finish.

- **Spills:** Clean up spills immediately to prevent water damage or staining.
- **Drawer Slides:** Periodically check drawer slides for smooth operation. If they become stiff, a small amount of silicone lubricant can be applied to the tracks.
- **Hardware:** Periodically check all screws and fasteners to ensure they remain tight. Tighten as necessary.

8. TROUBLESHOOTING

| Problem | Possible Cause | Solution |
|---|---|---|
| Drawers are stiff or do not close smoothly. | Misaligned drawer slides, debris in tracks, or lack of lubrication. | Check alignment of drawer slides. Clean tracks of any debris. Apply silicone lubricant to the tracks. |
| Cabinet feels wobbly after assembly. | Loose fasteners or uneven floor surface. | Ensure all screws and fasteners are tightened. Use a level to check the floor and add shims if necessary. |
| Missing or damaged hardware. | Packaging damage during transit or manufacturing error. | Do not proceed with assembly. Contact Vanity Art customer support for replacement parts. |
| Pilot holes are missing or misaligned. | Manufacturing variation. | Carefully pre-drill new pilot holes using an appropriate drill bit, ensuring not to drill too deep. |

9. SPECIFICATIONS

| Feature | Detail |
|--------------------|---------------------------------|
| Brand | Vanity Art |
| Model Name | VA4015-3W |
| Color | White |
| Product Dimensions | 21"D x 15"W x 32.5"H |
| Material | Engineered Wood |
| Mounting Type | Floor Mount |
| Number of Drawers | 3 (Soft Closing Shaker Drawers) |
| Assembly Required | Yes |
| Item Weight | 58 Pounds |
| UPC | 610366389512 |

10. WARRANTY INFORMATION

This product is covered by a return policy allowing for refund or replacement within 30 days of purchase. For specific warranty details beyond this period, please refer to the manufacturer's official warranty statement or contact customer support.

11. CUSTOMER SUPPORT

For any questions, missing parts, or assistance with your Vanity Art product, please contact our customer support team:

- **Email:** Refer to your purchase documentation or the official Vanity Art website for contact email.
- **Phone:** Refer to your purchase documentation or the official Vanity Art website for contact phone number.

Our customer service team is dedicated to providing support and resolving any issues you may encounter.