

Brabantia Compact

Brabantia Compact Dish Drying Rack Light Gray Instruction Manual

INTRODUCTION

This manual provides essential information for the proper setup, operation, and maintenance of your Brabantia Compact Dish Drying Rack. Designed for efficiency and durability, this rack offers a practical solution for drying dishes in kitchens with limited countertop space. Please read these instructions carefully before use.

PRODUCT COMPONENTS

The Brabantia Compact Dish Drying Rack consists of the following main components:

- Main Dish Rack (Aluminum)
- Drip Tray (Polypropylene)
- Removable Cutlery Holder (Polypropylene)

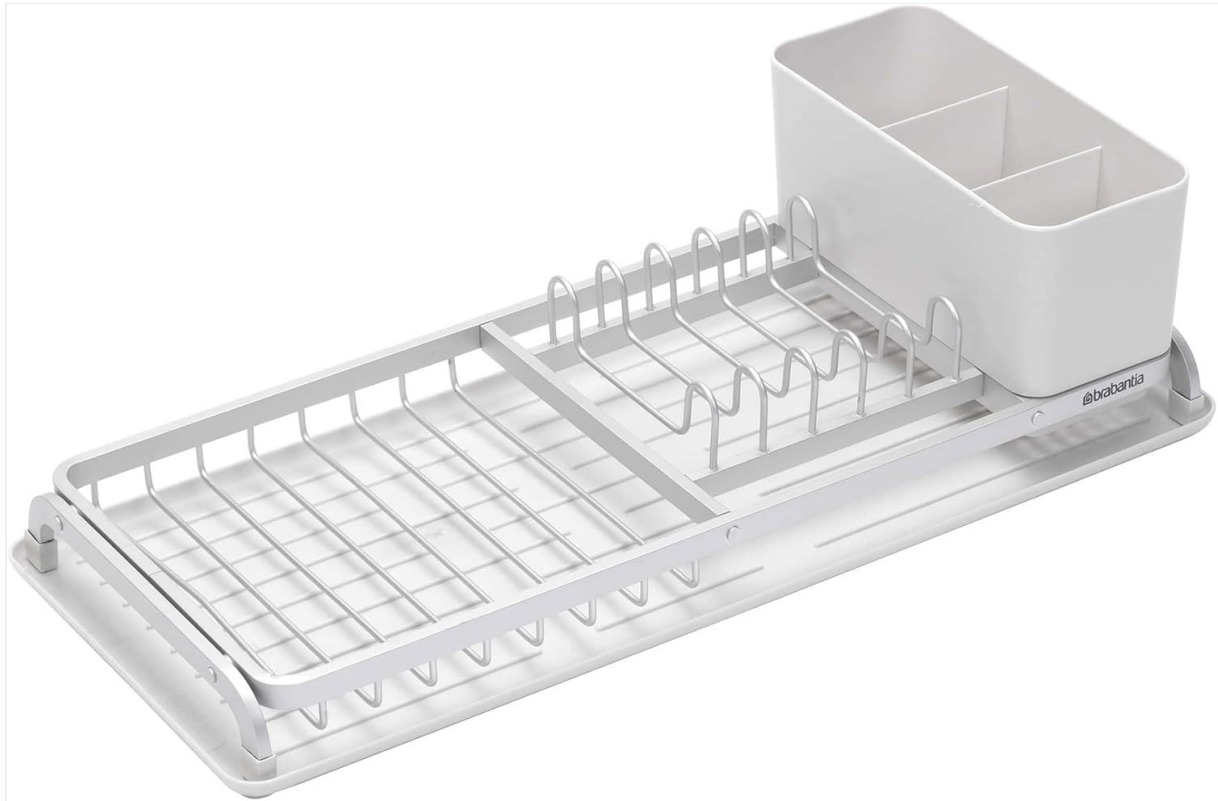


The dish drying rack separated into its primary parts: the main aluminum rack, the polypropylene drip tray, and the removable cutlery holder.

SETUP INSTRUCTIONS

1. **Unpack Components:** Carefully remove all parts from the packaging. Ensure all listed components are present.

2. **Assemble Drip Tray and Rack:** Place the main aluminum dish rack onto the polypropylene drip tray. The rack is designed to fit securely into the tray.
3. **Insert Cutlery Holder:** Position the removable cutlery holder into the designated slot on the main dish rack. Ensure it is seated firmly.
4. **Position the Rack:** Place the assembled dish drying rack on your countertop, ensuring the angled end of the drip tray extends over the edge of your sink. This allows water to drain directly into the sink.



The Brabantia Compact Dish Drying Rack in light gray, fully assembled and ready for use.

OPERATING INSTRUCTIONS

To effectively use your dish drying rack:

- **Plates and Flatware:** Place plates upright in the designated slots. The rack can hold up to 5 plates.
- **Glassware and Cups:** Invert glasses and cups over the flat section of the rack or on the drip tray to allow for proper drainage.
- **Cutlery:** Place cutlery in the removable cutlery holder. Ensure items are distributed evenly to maintain stability.
- **Larger Items:** The flat section of the rack is suitable for drying larger items such as pots, pans, or spatulas.



The dish rack in use, holding plates, glasses, and cutlery, demonstrating its capacity and organization.



A pot placed on the flat area of the drip tray, showcasing its versatility for drying larger items.

MAINTENANCE AND CLEANING

Regular cleaning will ensure the longevity and hygiene of your dish drying rack. The rack is made of corrosion-resistant materials for easy maintenance.

1. **Daily Cleaning:** After each use, ensure all water has drained from the drip tray. You may wipe down the tray and rack with a damp cloth.
2. **Deep Cleaning:** Periodically, disassemble the rack by removing the cutlery holder and the main aluminum rack from the drip tray.
3. **Wash Components:** Wash all components with warm, soapy water. A soft brush can be used for hard-to-reach areas.
4. **Rinse and Dry:** Rinse thoroughly with clean water and allow all parts to air dry completely before reassembling.



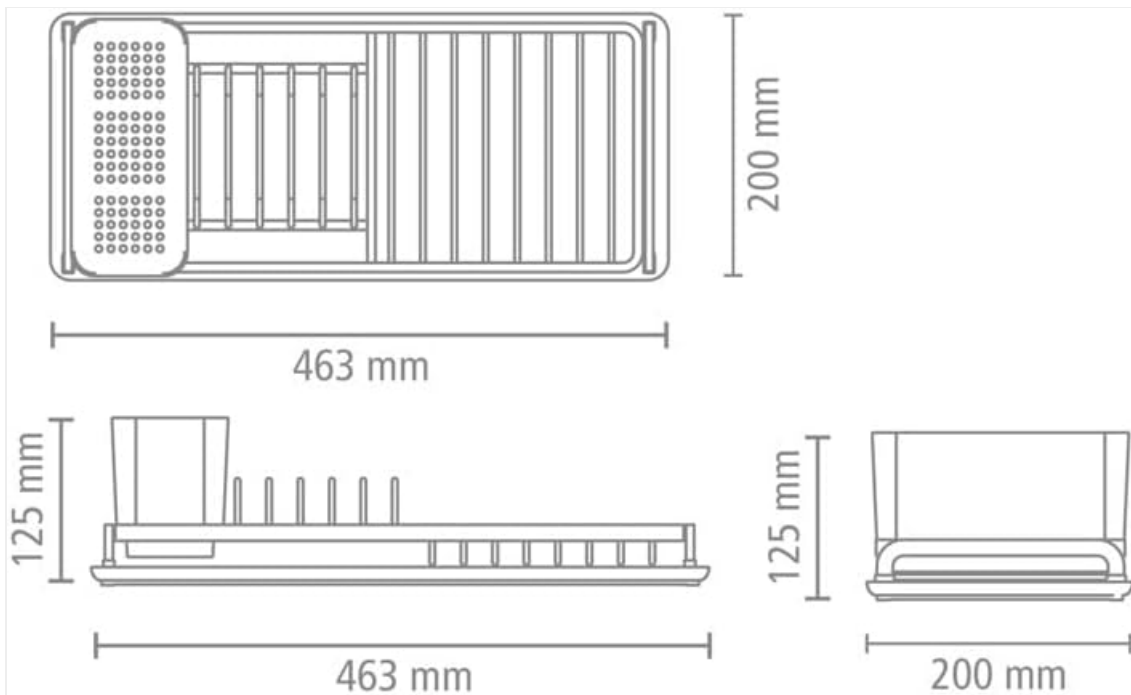
A hand demonstrating the easy removal of the cutlery holder from the main rack for cleaning or separate use.

TROUBLESHOOTING

- **Issue: Cutlery holder is unstable.**
Solution: Ensure the cutlery holder is fully inserted and seated correctly in its designated slot. Avoid overloading one side with excessively heavy or tall items. Distribute cutlery evenly.
- **Issue: Water is pooling on the countertop instead of draining into the sink.**
Solution: Verify that the dish rack is positioned with the angled end of the drip tray extending directly over the sink basin. Ensure there are no obstructions preventing water flow.

SPECIFICATIONS

Model	Compact Dish Drying Rack
Color	Light Gray
Material	Body: Aluminum; Tray: Polypropylene; Cutlery Holder: Polypropylene; Legs: Silicone Resin
Product Dimensions (D x W x H)	7.9" x 18.2" x 4.9" (200mm x 463mm x 125mm)
Item Weight	1.94 Pounds (0.88 kg)
Weight Limit	2.5 Kilograms
Special Features	Corrosion-Resistant, Non-Scratch, Non-Slip, Removable Cutlery Basket



A technical diagram illustrating the precise measurements of the dish drying rack, including length, width, and height in millimeters.

WARRANTY AND SUPPORT

This Brabantia Compact Dish Drying Rack is covered by a **5-year manufacturer's guarantee**. This warranty covers defects in materials and workmanship under normal use.

For warranty claims, product support, or any questions not addressed in this manual, please contact Brabantia customer service directly through their official website or the retailer where the product was purchased. Please retain your proof of purchase for warranty validation.