

Manuals+

[Q & A](#) | [Deep Search](#) | [Upload](#)

manuals.plus /

› [MIXC](#) /

› [MIXC 1/4-inch Mist Irrigation Kits User Manual](#)

MIXC GG0B

MIXC 1/4-inch Mist Irrigation Kits User Manual

Model: GG0B

INTRODUCTION

The MIXC 1/4-inch Mist Irrigation Kit is designed to provide efficient and precise watering for various plants and garden setups. This system helps conserve water by delivering it directly to the plants, reducing waste and promoting healthy growth. It is suitable for agriculture, lawns, gardens, patios, greenhouses, and even for cooling misting applications.

This manual provides comprehensive instructions for the setup, operation, and maintenance of your MIXC irrigation system.

SAFETY INFORMATION

Please read and understand all safety instructions before installing and operating the irrigation kit. Failure to follow these instructions may result in injury or damage to the product.

- Ensure water pressure does not exceed 45 PSI. Excessive pressure can damage the system components and cause leaks.
- Securely connect all fittings to prevent leaks. Loose connections can lead to water wastage and system malfunction.
- Handle plastic components with care to avoid injury. Sharp edges or broken parts can cause cuts.
- Keep all components out of reach of children and pets.
- Do not use the system with water temperatures exceeding 110°F (43°C).

PACKAGE CONTENTS

Your MIXC 1/4-inch Mist Irrigation Kit (Model GG0B) includes the following components:



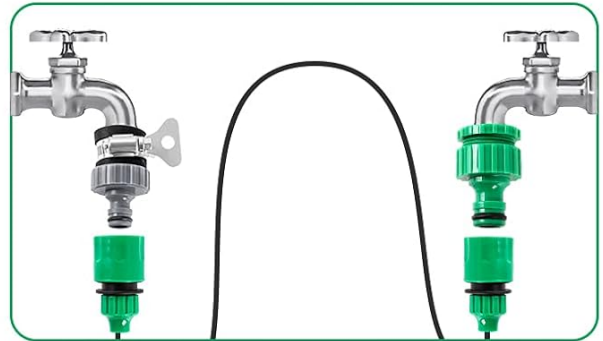
Image: All components of the MIXC 1/4-inch Mist Irrigation Kit, including tubing, misters, fittings, and accessories.

- 50ft 1/4-inch Blank Distribution Tubing Hose
- 20 Misters (adjustable nozzles)
- 39 Barbed Fittings (various types including T-connectors, straight connectors, end caps)
- Support Stakes
- Quick Adapter for faucet connection
- Teflon Tape for sealing connections
- Instruction Manual

Easy To Install



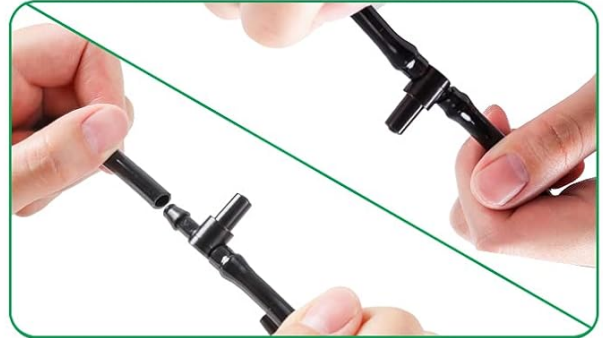
1. Put the 1/4 tubing part into hot water for 10 seconds before assembling



2. Push the tubing into the connector and Push the quick connector into the faucet connector



3. Cut the tubing according to the plant distance or you need



4. Use the Flat Tee to reconnect the divided tubes.



5. insert the nozzle into the flat tee



6. Finally use it where you need it

Image: A closer look at the various components included in the kit, showing the tubing, misters, barbed fittings, support stakes, and quick adapter.

SETUP AND INSTALLATION

Follow these steps to set up your MIXC Mist Irrigation Kit:

1. **Prepare the Tubing:** For easier assembly, dip the end of the 1/4-inch tubing into hot water for approximately 10 seconds. This softens the plastic, making it easier to insert into fittings.

Adjustable spray system



● Adjust Water Output



● 360° Mist Nozzle

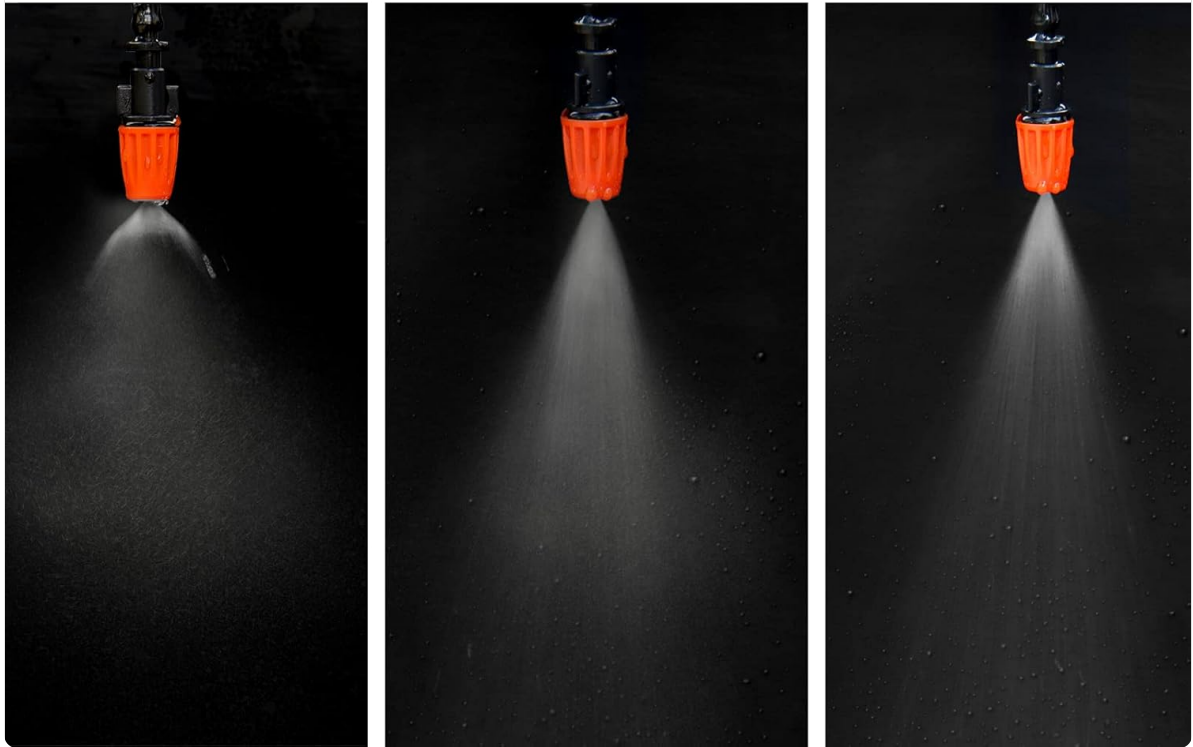


Image: Visual guide showing the steps for preparing tubing, connecting to the faucet, cutting tubing, using flat tees, and inserting nozzles.

- 2. Connect to Water Source:** Push the 1/4-inch tubing into the quick connector. Then, push the quick connector firmly onto your faucet connector. Ensure a secure, leak-free connection.
- 3. Plan Your Layout and Cut Tubing:** Determine the desired layout for your irrigation system. Cut the 1/4-inch tubing to the appropriate lengths based on the distance between your plants and the main water line.

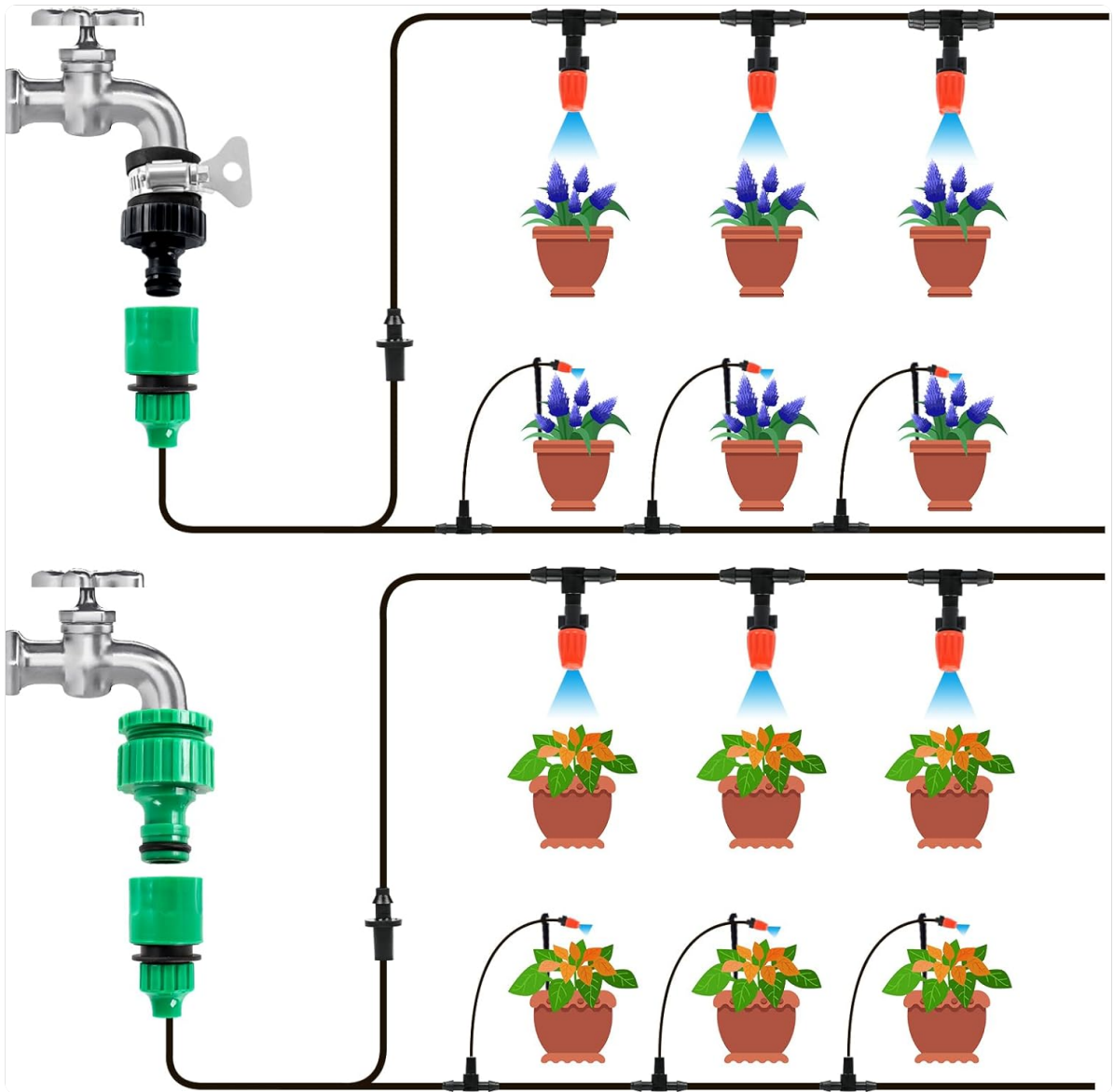


Image: Example diagrams illustrating how to lay out the irrigation tubing for different plant arrangements, connecting to a water source.

4. **Install Fittings and Misters:** Use the various barbed fittings (T-connectors, straight connectors) to create your desired irrigation network. Insert the misters into the appropriate fittings at each plant location. Support stakes can be used to position the misters effectively.

Contains Everything You Need For a Micro Irrigation System.



Image: A detailed view of the 1/4-inch blank distribution tubing, highlighting its anti-UV, flexible, and durable properties, along with its 7mm outer diameter and 4mm inner diameter.

5. **Secure the System:** Ensure all connections are tight and the tubing is laid out without kinks. You may use additional clips or stakes to secure the tubing in place.

OPERATING INSTRUCTIONS

Once installed, operating your MIXC Mist Irrigation Kit is straightforward:

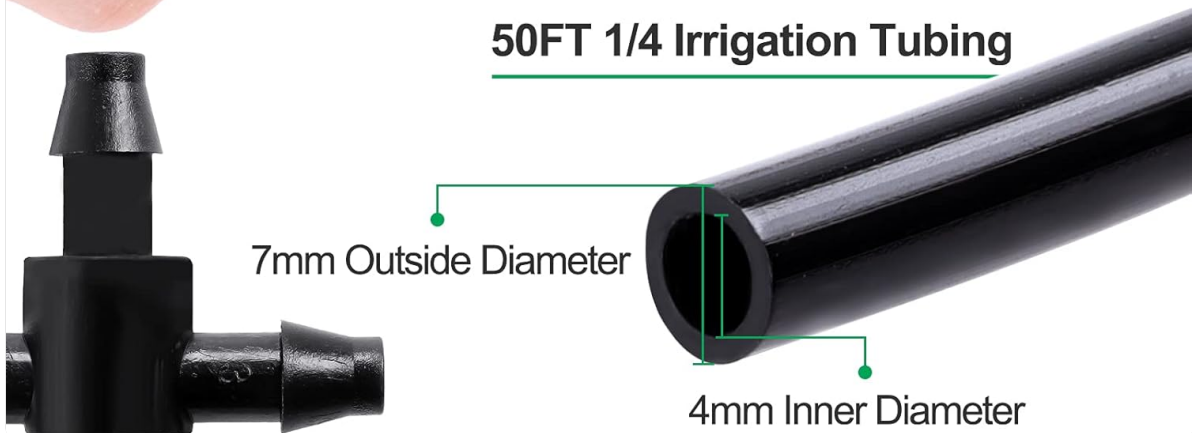
- **Turn on Water Supply:** Slowly turn on your water faucet to allow water to flow through the system. Observe for any leaks and tighten connections as needed.
- **Adjust Misters:** Each mister nozzle is adjustable. You can rotate the orange cap to control the water output and spray pattern. The nozzle offers two water outlet modes: columnar and misty. Adjust according to the specific needs of your plants or the desired misting effect.

1/4 inch Blank Distribution Tubing



ANTI-UV FLEXIBLE & DURABLE

50FT 1/4 Irrigation Tubing



7mm Outside Diameter

4mm Inner Diameter

Image: Visual representation of the adjustable spray system, demonstrating how to adjust water output and the 360-degree misting capability of the nozzle.

- **Water Flow Rate:** The flow rate of each mister is approximately 6.7-7 L/Hour, with a maximum spray diameter of 0.3m. This precise delivery can save up to 70% water compared to manual watering.
- **Automated Watering (Optional):** For automated watering, you can integrate an auto timer (sold separately) with your system. This allows you to set specific watering schedules, eliminating the need for manual operation.



WIDE RANGE OF APPLICATIONS

This Drip Irrigation Kit meets various requirements



Image: Demonstrations of the MIXC Drip Irrigation Kit's wide range of applications, including patio misting, garden bed irrigation, and fence-mounted misting.

MAINTENANCE

Regular maintenance will ensure the longevity and optimal performance of your irrigation system:

- **Check for Leaks:** Periodically inspect all connections and tubing for any signs of leaks. Tighten fittings or replace damaged sections as necessary.
- **Clean Nozzles:** Over time, mineral deposits or debris may clog the mister nozzles. Gently remove and clean them using a small brush or by soaking them in a vinegar solution.
- **Inspect Tubing:** Check the tubing for any kinks, cracks, or damage from pests. Repair or replace damaged sections to maintain consistent water flow.
- **Winterization:** In colder climates, drain the system completely before the first frost to prevent freezing and cracking of components. Store components indoors if possible.

TROUBLESHOOTING

If you encounter issues with your MIXC Mist Irrigation Kit, refer to the following common problems and solutions:

| Problem | Possible Cause | Solution |
|----------------------|--|--|
| Low or No Water Flow | <ul style="list-style-type: none">◦ Insufficient water pressure◦ Clogged nozzles or tubing◦ Kinked or pinched tubing◦ Loose connections | <ul style="list-style-type: none">◦ Ensure water pressure is adequate (up to 45 PSI).◦ Clean nozzles and flush tubing.◦ Straighten any kinks in the tubing.◦ Check and tighten all connections. |
| Leaks at Connections | <ul style="list-style-type: none">◦ Fittings not securely attached◦ Damaged O-rings or fittings◦ Excessive water pressure | <ul style="list-style-type: none">◦ Ensure tubing is fully inserted into barbed fittings.◦ Apply Teflon tape to threaded connections.◦ Replace any damaged fittings.◦ Reduce water pressure if it exceeds 45 PSI. |
| Uneven Spray Pattern | <ul style="list-style-type: none">◦ Partially clogged nozzle◦ Nozzle not properly adjusted | <ul style="list-style-type: none">◦ Clean the mister nozzle.◦ Adjust the nozzle cap to achieve the desired spray. |

SPECIFICATIONS

| Feature | Detail |
|------------------------|--------------------------------|
| Brand | MIXC |
| Model Name | Drip Irrigation Kit (GG0B) |
| Hose Length | 50 Feet (1/4-inch) |
| Material | Plastic |
| Power Source | Water Pressure-driven |
| Special Feature | Adjustable Nozzles |
| Maximum Pressure | 45 PSI (Pound per Square Inch) |
| Flow Rate (per mister) | 6.7-7 L/Hour |

| Feature | Detail |
|---------------------------------|------------------------------|
| Max Spray Diameter (per mister) | 0.3m |
| Item Weight | 1.19 pounds (0.54 Kilograms) |
| Package Dimensions | 8.54 x 8.35 x 3.54 inches |

WARRANTY AND SUPPORT

For information regarding product warranty, returns, or technical support, please refer to the documentation provided with your purchase or contact MIXC customer service directly. You can often find contact details on the product packaging or the official MIXC website.

For additional resources and product information, visit the [MIXC Store on Amazon](#).

© 2025 MIXC. All rights reserved.

This manual is for informational purposes only. Product specifications are subject to change without notice.