

COBI 26610

COBI Boeing 747 Air Force One Plane Building Set (Model 26610) Instruction Manual

Model: 26610

[Information](#) [Assembly](#) [Features](#) [Operation](#) [Overview](#) [Safety](#) [Maintenance](#) [Troubleshooting](#) [Specifications](#) [Videos](#) [Support](#)

1. PRODUCT OVERVIEW

The COBI Boeing 747 Air Force One building set allows for the construction of a detailed 1:144 scale model of the iconic presidential aircraft. This set comprises 1087 high-quality elements, designed for an engaging building experience. The completed model measures 46 cm (18.1 inches) in length and has a wingspan of 42 cm (16.54 inches). It features movable turbines within the engines and a characteristic paint scheme with USAF markings and US national symbols, applied using durable prints rather than stickers. This model is intended for aviation enthusiasts and building block hobbyists, offering a realistic representation of the Boeing VC-25, a military variant of the Boeing 747 airliner.

2. SAFETY INFORMATION

WARNING: CHOKING HAZARD - Small parts. Not for children under 3 years.

This product contains small components that may pose a choking risk. Adult supervision is recommended during assembly and play, especially for younger users. Ensure all parts are kept out of reach of small children.

3. ASSEMBLY INSTRUCTIONS

Assembly of the COBI Boeing 747 Air Force One model requires careful attention to the provided instructions. The set includes a detailed, illustrated product manual with step-by-step directions to guide you through the construction process.

3.1. Getting Started

- Unpack all elements and verify that all 1087 pieces are present.
- Familiarize yourself with the instruction manual before beginning.
- Work on a clean, flat surface to prevent loss of small parts.

3.2. Step-by-Step Building

Follow the clear and intuitive instructions provided in the included manual. Each step is illustrated to ensure accurate placement of

blocks. The blocks are designed for a secure fit and are fully compatible with other brands of construction blocks.



Image 3.2.1: The COBI Boeing 747 Air Force One building set packaging, showing the completed model and piece count.



Image 3.2.2: Side view of the assembled model, indicating a length of 46cm (18.11") and height of 15cm (5.91").

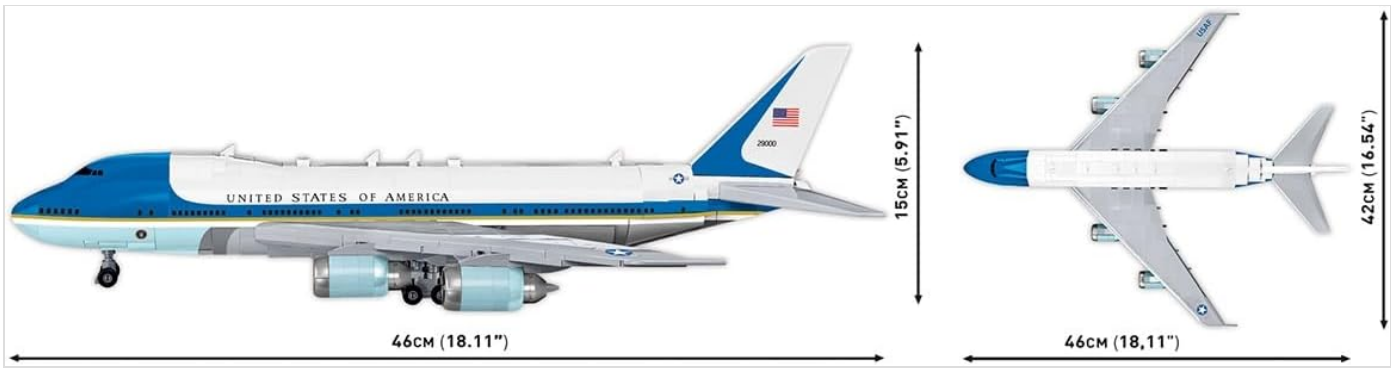


Image 3.2.3: Side and top views of the assembled model, showing length, height, and a wingspan of 42cm (16.54").

4. PRODUCT FEATURES

- **High-Quality Elements:** Composed of 1087 durable building blocks.
- **Scale Model:** Designed at a 1:144 scale for realistic representation.
- **Durable Prints:** Markings and national symbols are high-quality prints that resist scratching, smearing, and fading. No stickers are used.
- **Movable Turbines:** The engines feature turbines that can be rotated.
- **Detailed Cockpit:** The cockpit section is designed with interior details.
- **Retractable Landing Gear:** The model includes detailed landing gear.
- **Compatibility:** Fully compatible with other brands of construction blocks.

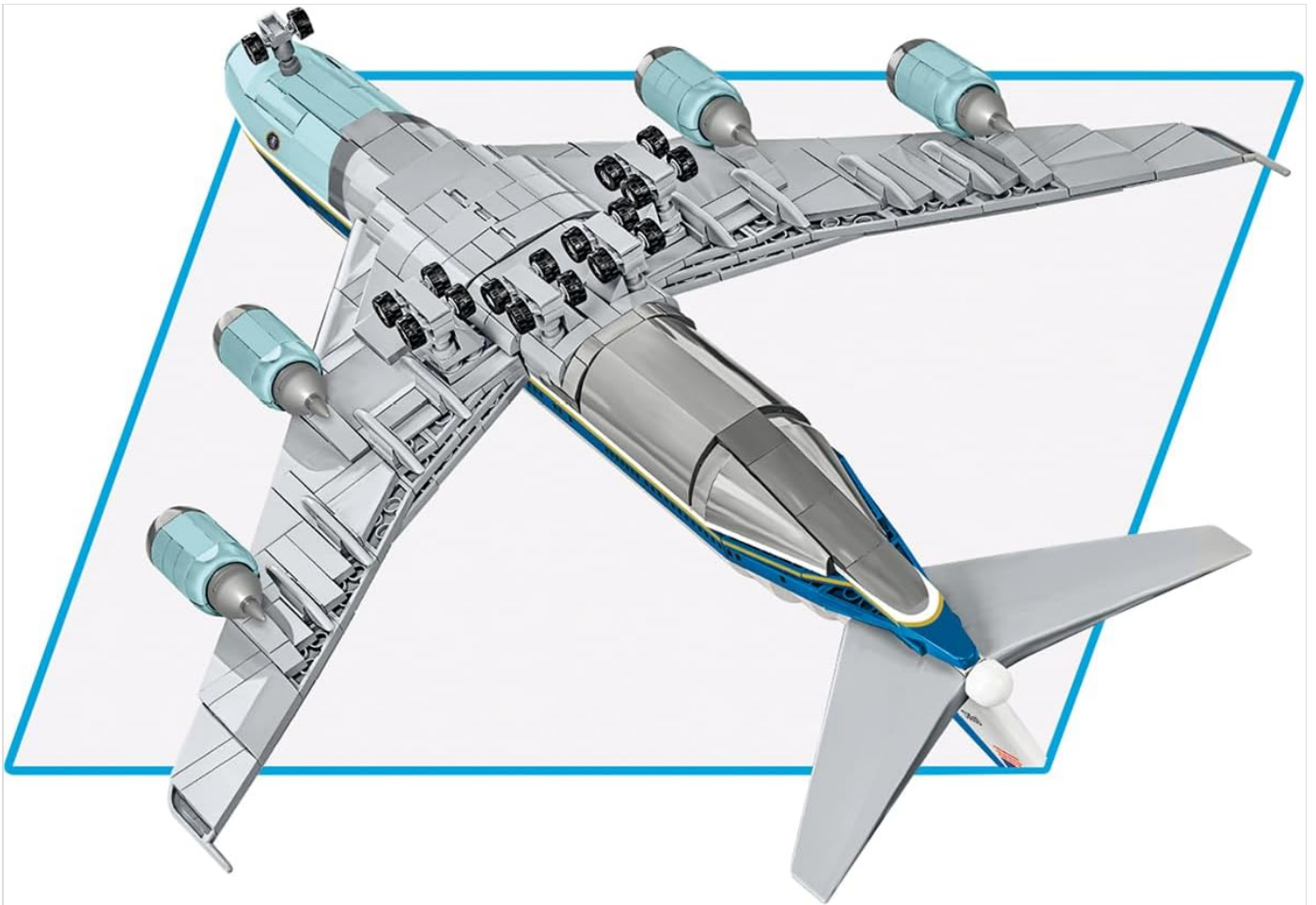


Image 4.1: Underside view of the model, highlighting the detailed landing gear system.

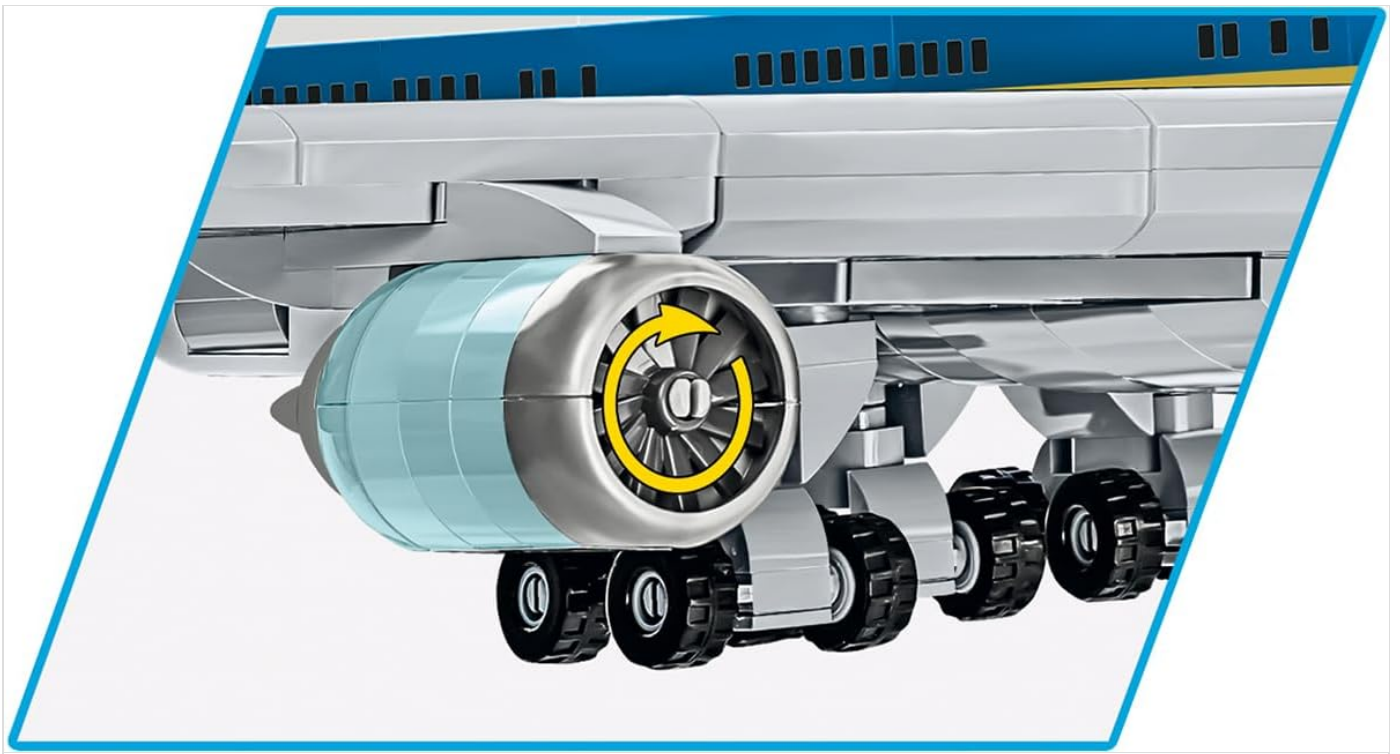


Image 4.2: Close-up of an engine, illustrating the rotating turbine feature.

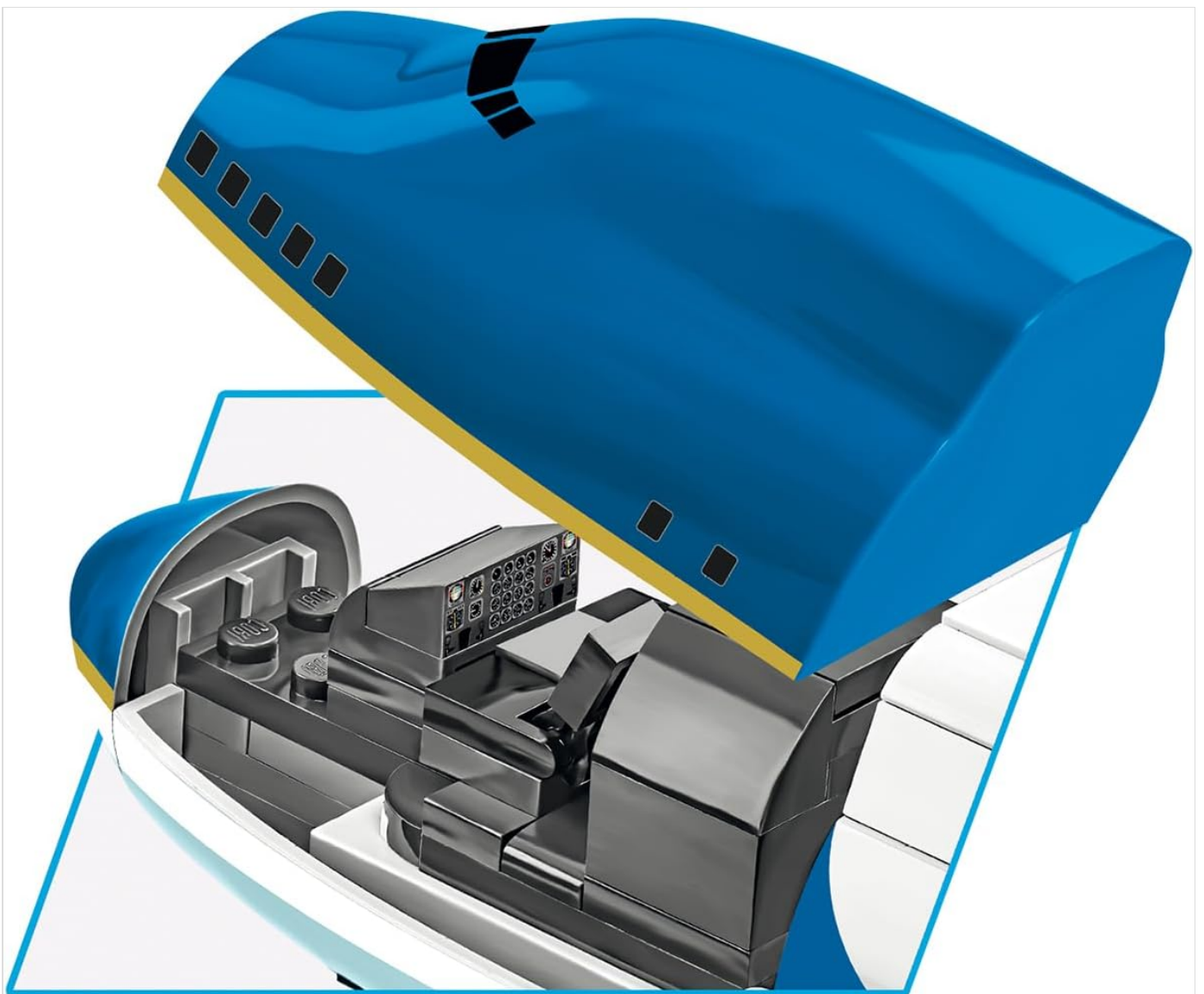


Image 4.3: View of the cockpit with the top section removed, revealing interior details.



Image 4.4: Informational graphic providing key specifications of the real Boeing 747 VC-25A Air Force One.

BOEING 747™ -VC-25A AIR FORCE ONE

IN SERVICE - 1990 - PRESENT

PLACE OF ORIGIN - UNITED STATES

ROLE - PRESIDENTIAL AIRCRAFT

WINGSPAN - 59,64M (195' 8")

LENGTH - 70,66M (231' 10")

HEIGHT - 19,33M (63' 5")

MAX WEIGHT - 377,84T (833 000LB)

ENGINE - 4X GENERAL ELECTRIC CF6-80C2B1

MAXIMUM FLIGHT LEVEL - 13 747KM (45 100FT)

SPEED - 1014KM/H (630MPH)

RANGE - 12 553KM (7 800MI)

CREW - 26 + 76 PASSENGERS



Image 4.5: Rear view of the assembled model, showing tail details and box art.

5. OPERATION

This COBI building set is a static display model with interactive elements. Once assembled, the model can be displayed. The primary operational features include:

- **Rotating Engine Turbines:** Manually rotate the turbines located within each engine.
- **Movable Landing Gear:** The landing gear can be positioned for display or retracted.

No batteries or external power source are required for the model's operation.

6. MAINTENANCE

To maintain the appearance and integrity of your COBI Boeing 747 Air Force One model:

- **Cleaning:** Dust the model regularly with a soft, dry cloth or a soft brush. Avoid using abrasive cleaners or solvents.
- **Storage:** Store the model in a cool, dry place away from direct sunlight to prevent discoloration or material degradation.
- **Handling:** Handle the model carefully to avoid accidental detachment of parts.

7. TROUBLESHOOTING

Most issues encountered with building block sets relate to assembly. If you encounter difficulties:

- **Missing Pieces:** Double-check all packaging materials. If pieces are genuinely missing, contact COBI customer support.
- **Assembly Errors:** Refer back to the instruction manual. Disassemble the problematic section and re-follow the steps carefully.
- **Loose Connections:** Ensure blocks are firmly pressed together. COBI blocks are designed for a secure fit.

8. PRODUCT SPECIFICATIONS

Specification	Detail
Brand	COBI
Model Name	BOEING 747 Air Force One Plane
Model Number	26610
Number of Elements	1087
Scale	1:144
Dimensions (L x W x H)	46 cm (18.1") x 42 cm (16.54") x 15 cm (5.91")
Material Type	Plastic
Age Range Description	Adult (Manufacturer Minimum Age: 108 months)
Assembly Required	Yes
Power Source	Manual (No batteries required)
Included Components	Building blocks, Product Manual

9. PRODUCT VIDEOS

9.1. Large Model Airplane Air Force One Boeing 747

Your browser does not support the video tag.

This video showcases the assembled large model airplane, specifically the Air Force One Boeing 747. It provides a visual overview of the model's size and details, demonstrating its presence as a display piece.

10. WARRANTY AND SUPPORT

For any questions regarding assembly, missing parts, or product information, please refer to the official COBI website or contact their customer support directly. Specific warranty details may vary by region and retailer; please consult your purchase documentation for applicable warranty information.

Manufacturer: COBI

Brand Store: [COBI Official Store on Amazon](#)

