

BERNSTEIN EX406

BERNSTEIN EX406 Quadrant Shower Enclosure 90x90 cm Instruction Manual

Model: EX406

1. INTRODUCTION

Thank you for choosing the BERNSTEIN EX406 Quadrant Shower Enclosure. This manual provides essential information for the safe installation, operation, and maintenance of your new shower enclosure. Please read these instructions carefully before beginning installation and retain them for future reference. This shower enclosure features 8 mm tempered safety glass with a nano-coating for easy cleaning, and adjustable aluminum profiles to compensate for wall irregularities.

Standard Scharnier

 **BERNSTEIN**



Messing, robuust en
corrosiebestendig



Beste
prijs-kwaliteitverhouding



Hoogwaardig
en duurzaam

Onze **premium-scharnier** met extra voordelen
is te vinden in onze **premium-modellen**



Image 1: Full view of the BERNSTEIN EX406 Quadrant Shower Enclosure.

2. SAFETY INSTRUCTIONS

- Always handle glass panels with care. Tempered safety glass is strong but can shatter if struck at the edges.
- Wear appropriate personal protective equipment (PPE) during installation, including safety glasses and gloves.
- Ensure the installation area is clean, dry, and free from obstructions.
- Verify that the wall structure can support the weight of the shower enclosure.
- Do not attempt to install the enclosure alone. Two people are recommended for safe handling and installation.
- After installation, ensure all screws are tightened and seals are properly seated to prevent leaks.

3. PACKAGE CONTENTS

Before beginning installation, please check that all components are present and undamaged:

- Quadrant shower enclosure (without shower tray)

- Mounting material (screws, dowels, seals, etc.)
- Assembly instructions
- Aluminum wall profiles
- Magnetic door closure components

4. INSTALLATION GUIDE

The BERNSTEIN EX406 shower enclosure is designed for corner installation and is suitable for flush-to-floor mounting. A shower tray is not included and must be purchased separately if desired.

4.1 Wall Profile Adjustment

The minimalist aluminum side profiles allow for compensation of wall irregularities up to 20 mm, ensuring a secure and level installation even on uneven walls.



Image 2: Detail of the wall profile, showing its adjustment capability for uneven walls.

4.2 General Installation Steps

1. **Preparation:** Ensure the shower area is prepared, including any necessary plumbing and tiling. If using a shower tray, ensure it is correctly installed and leveled.

2. **Marking:** Position the wall profiles against the wall in the desired location and mark the drilling points. Use a spirit level to ensure vertical alignment.
3. **Drilling:** Drill holes at the marked points and insert appropriate wall plugs.
4. **Mounting Profiles:** Secure the aluminum wall profiles to the wall using the provided screws. Adjust as necessary to compensate for wall irregularities.
5. **Glass Panel Installation:** Carefully insert the fixed glass panels into the wall profiles. Ensure they are properly seated and secured according to the detailed assembly instructions.
6. **Door Installation:** Attach the double-swing doors to the fixed panels or wall profiles as per the instructions. Install the magnetic closure mechanism.
7. **Sealing:** Apply silicone sealant to all external joints between the profiles and the wall, and along the bottom edge of the enclosure to prevent water leakage. Allow sufficient drying time.
8. **Final Check:** Verify that the doors open and close smoothly, and that all components are secure.

Refer to the included assembly instructions for detailed, step-by-step guidance specific to your model.

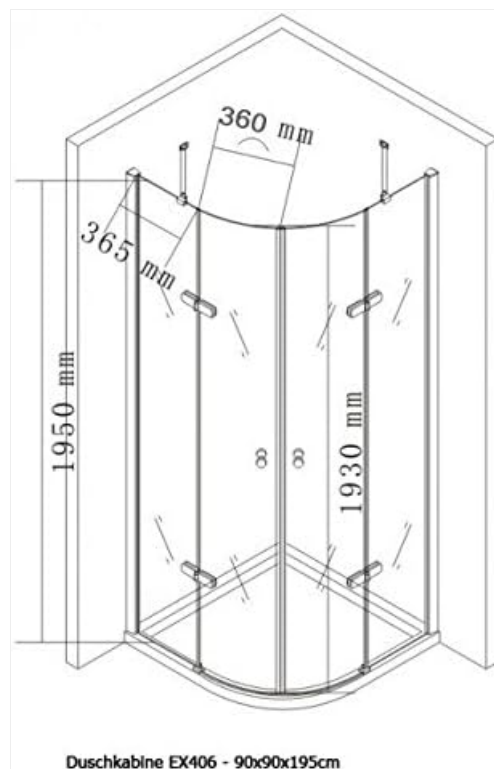


Image 3: Technical drawing showing dimensions of the EX406 shower enclosure (90x90x195cm).

5. OPERATION

The BERNSTEIN EX406 features a double-swing door system for convenient corner entry. The doors are equipped with a magnetic closure to ensure they remain securely shut during use.

5.1 Opening and Closing the Doors

- To open, gently pull the door handles outwards. The magnetic strips will disengage.
- To close, push the doors together until the magnetic strips engage, securing the doors in place.



Deurprofiel met magnetische sluiting

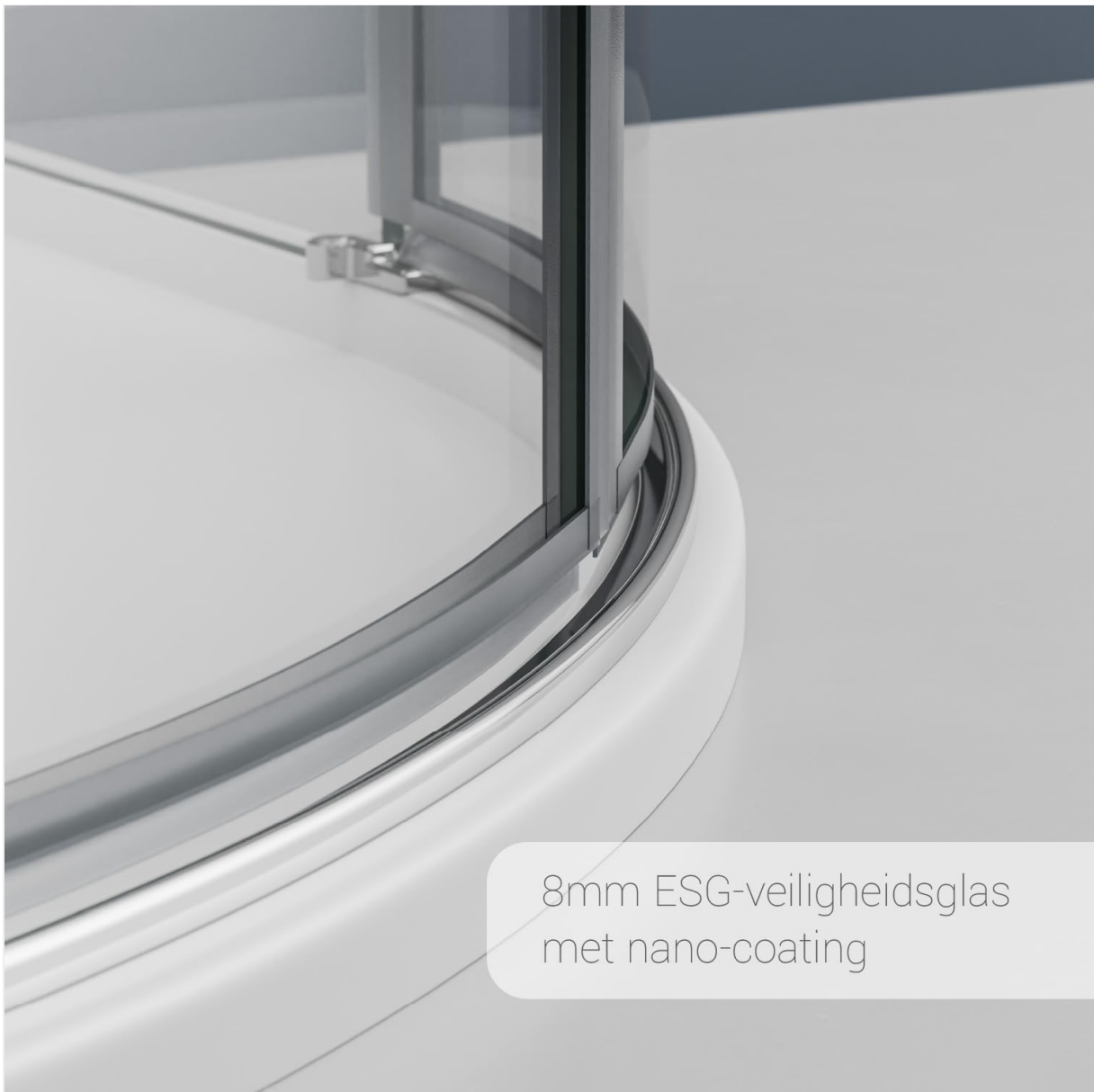
Image 4: Close-up of the door profile featuring the magnetic closure mechanism.

6. MAINTENANCE AND CLEANING

Regular cleaning and maintenance will ensure the longevity and appearance of your shower enclosure.

6.1 Nano-Coating Benefits

The 8 mm tempered safety glass is treated with a nano-coating, creating a 'lotus effect'. This surface sealing protects the glass from new dirt and limescale buildup, allowing water to simply roll off. The coating is transparent, non-corrosive, and easy to clean.



8mm ESG-veiligheidsglas
met nano-coating

Image 5: Detail showing the 8mm ESG safety glass with its nano-coating.

6.2 Cleaning Instructions

- **Glass Panels:** For daily cleaning, simply wipe the glass with a soft cloth or squeegee after each use to remove water droplets. For deeper cleaning, use a mild, non-abrasive glass cleaner. Avoid harsh chemicals or abrasive sponges, as these can damage the nano-coating.
- **Profiles and Hardware:** Clean aluminum profiles and chromed hardware with a soft cloth and mild soap and water. Rinse thoroughly and dry to prevent water spots.
- **Seals:** Regularly check and clean the rubber seals to prevent mold and mildew buildup.

7. TROUBLESHOOTING

If you encounter any issues with your shower enclosure, refer to the following common problems and solutions:

- **Water Leakage:**
 - Check all silicone seals for cracks or gaps. Reapply sealant if necessary.
 - Ensure the bottom seals on the doors are intact and making proper contact with the shower tray or floor.
 - Verify that the wall profiles are securely fastened and sealed against the wall.

- **Doors Not Closing Properly:**

- Inspect the magnetic strips for damage or misalignment.
- Check if the doors are properly aligned and swinging freely. Adjust hinges if possible according to the assembly instructions.

- **Squeaking Hinges:**

- Apply a small amount of silicone-based lubricant to the hinges. Avoid oil-based lubricants.

For issues not covered here, please contact customer support.

8. SPECIFICATIONS

Feature	Specification
Model	EX406
Brand	BERNSTEIN
Dimensions (D x W x H)	90 x 90 x 195 cm
Glass Thickness	8 mm
Glass Type	Tempered Safety Glass (ESG) with Nano-coating
Door Style	Double Swing Doors
Installation Type	Corner Installation, suitable for flush-to-floor mounting
Wall Profile Adjustment	Up to 20 mm for wall irregularities
Finish Type	Chromed
Country of Origin	Germany

Opwindende functies | EX406

 **BERNSTEIN**



8mm ESG-veiligheidsglas
met nano-coating



Douchebakradius
55 cm



Wandprofiel met 20 mm verstelbereik
bij wandoneffenheden



Aluminium
wandprofielen



Deurprofiel met
magnetische sluitin



Image 6: Overview of key features for the EX406 model.

9. WARRANTY INFORMATION

BERNSTEIN products are manufactured to high-quality standards. For specific warranty terms and conditions, please refer to the documentation provided with your purchase or contact BERNSTEIN customer service. Keep your proof of purchase for any warranty claims.

10. CUSTOMER SUPPORT

If you require assistance with installation, have questions about your product, or need to report a defect, please contact BERNSTEIN customer support. Contact details can typically be found on the BERNSTEIN website or on your purchase documentation.