

Sunjoy S-PL062PFB-B

Sunjoy S-PL062PFB-B 2-Piece Deep Seating Outdoor Chair Cushion User Manual

Model: S-PL062PFB-B

PRODUCT OVERVIEW

This 2-piece deep seating outdoor chair cushion set, model S-PL062PFB-B, is designed to add comfort and style to your outdoor furniture. Made from durable Olefin fabric, it includes both a seat cushion and a back cushion, featuring a hinge to keep them secure. The cushions are fade-resistant and suitable for outdoor use.

Key Features:

- Adds comfort and style to deep-seated outdoor chairs.
- Constructed from Olefin fabric for durability and outdoor resilience.
- Includes both a back cushion and a seat cushion.
- Features a hinge for secure placement, preventing slippage.
- Fade-resistant properties to maintain color over time.

SETUP AND INSTALLATION

Follow these steps to properly install your Sunjoy deep seating outdoor chair cushions:

1. **Unpack:** Carefully remove the cushion set from its packaging. Allow a few hours for the cushions to fully expand if they appear compressed.
2. **Place Seat Cushion:** Position the larger seat cushion onto the base of your deep seating outdoor chair. Ensure it is centered and fits snugly within the chair frame.
3. **Position Back Cushion:** Place the back cushion against the chair's backrest. The cushions are designed with a hinge to keep the seat and back cushions secure and prevent separation.
4. **Adjust:** Gently adjust both cushions to ensure they are properly aligned and provide optimal comfort.



Image 1: Sunjoy deep seating outdoor chair with blue cushions installed, showcasing proper placement.

Your browser does not support the video tag.

Video 1: This video demonstrates the placement of the seat and back cushions, highlights the polyfiber fillings for comfort, showcases UV resistance and water repellency of the fabric, and illustrates the universal design and dimensions of the cushion set.

CARE AND MAINTENANCE

To ensure the longevity and appearance of your Sunjoy outdoor chair cushions, follow these care guidelines:

- **Cleaning:** For general cleaning, wipe the cushions with a damp cloth. For more stubborn dirt or spills, use a mild soap solution and a soft brush, then rinse thoroughly with clean water.
- **Water Repellency:** The Olefin fabric is designed to repel water, allowing liquids to bead off. Promptly wipe away any standing water to prevent absorption.
- **Drying:** Ensure cushions are completely dry before storing to prevent mildew and odor. Air dry in a well-ventilated area, away from direct sunlight.
- **Storage:** During extended periods of non-use or inclement weather, store the cushions in a dry, protected area, such as a storage box or shed, to protect them from the elements.
- **Avoid Harsh Chemicals:** Do not use bleach, harsh chemicals, or abrasive cleaners, as these can damage the fabric and color.

SPECIFICATIONS

Detailed specifications for the Sunjoy S-PL062PFB-B 2-Piece Deep Seating Outdoor Chair Cushion:

Feature	Detail
Brand	Sunjoy
Model Name	S-PL062PFB-B
Item Type Name	Deep Seating Outdoor Cushion
Color	Blue
Size	Small (Pack of 2)
Fabric Type	Olefin
Cover Material	Polyester
Fill Material	Polyester
Other Special Features	Fade-Resistant
Recommended Uses	Outdoor
Product Care Instructions	No, water (implies water-resistant, not machine washable)
Item Dimensions L x W	24"L x 22"W (Seat cushion)
Item Weight	5.6 Pounds
Unit Count	2 Count
UPC	841057145500

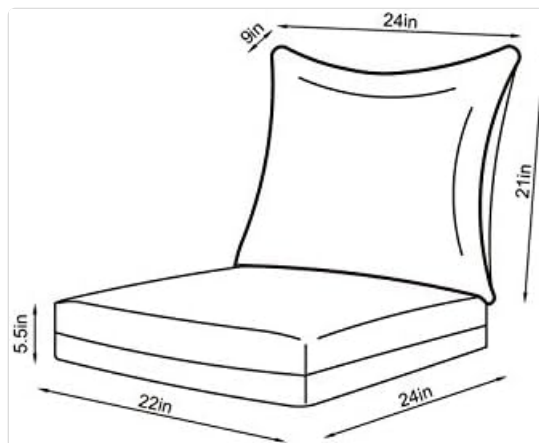


Image 2: Diagram illustrating the dimensions of the seat and back cushions for accurate fit.

TROUBLESHOOTING

If you encounter any issues with your cushions, consider the following common solutions:

- **Cushions appear flat or compressed:** Allow cushions to expand for 24-48 hours after unpacking. Regular fluffing can help maintain their shape and loft.
- **Stains or spills:** Address spills immediately by blotting with a clean, dry cloth. For stubborn stains, use a

mild soap solution and rinse thoroughly with water. Avoid rubbing vigorously, which can spread the stain.

- **Fading:** While the Olefin fabric is fade-resistant, prolonged and intense exposure to direct sunlight can eventually affect color over many seasons. Consider using a protective cover for your furniture when not in use to extend the life of the cushions.
- **Mildew:** Ensure cushions are completely dry before storing. If mildew appears, clean with a solution of mild soap and water, and allow to dry thoroughly in the sun.

WARRANTY AND SUPPORT

For warranty information, product support, or to inquire about replacement parts, please refer to the original purchase documentation provided with your product. You may also visit the official Sunjoy website or contact Sunjoy customer service directly. Please retain your proof of purchase for any warranty claims.