

## APIELE GQ16F-11E-12T

# APIELE 16mm Momentary Push Button Switch with 12V LED Ring Indicator User Manual

Model: GQ16F-11E-12T

## 1. PRODUCT OVERVIEW

---

The APIELE 16mm Momentary Push Button Switch is designed for various electrical applications. This switch features a 12V LED ring indicator and a durable metal construction. It operates as a momentary switch, meaning it activates only while pressed and deactivates upon release. The switch is rated for 5A/250VAC and includes 1 Normally Open (NO) and 1 Normally Closed (NC) contact configuration, offering versatility for different circuit controls.

Key features include:

- Momentary operation: Push to activate, release to deactivate.
- Integrated 12V LED ring indicator.
- Durable metal construction with IP67 waterproof and IK10 protection.
- Contact configuration: 1 Normally Open (NO) and 1 Normally Closed (NC).
- Electrical life: 200,000 cycles; Mechanical life: 1,000,000 cycles.

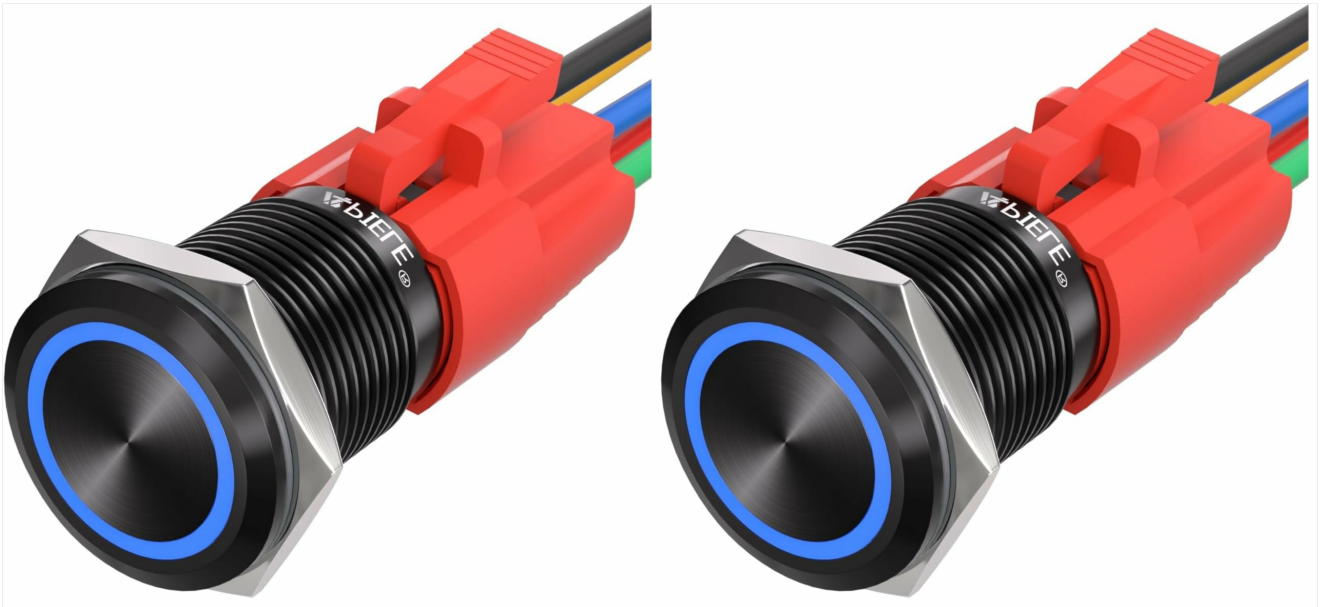


Figure 1: APIELE 16mm Momentary Push Button Switch (Example: Black Shell-Blue LED)

## 2. SETUP AND INSTALLATION

---

### 2.1 Mounting

The switch requires a 16mm (0.63 inch) mounting hole. The recommended panel thickness for installation is between 1mm and 10mm. Secure the switch with a nut torque of 5-14Nm.

MOUNTING HOLE SIZE: 5/8" 16MM

STRUCTURE: 1NO 1NC

PROTECTION DEGREE: IP65

RATED CURRENT: 5A

OPERATION: MOMENTARY \*

LAMP COLOR: ● ● ●

SHELL MATERIAL: STAINLESS STEEL

LAMP VOLTAGE: 12V

\* ( ON-OFF. PRESS THE BUTTON SWITCH WORK. RELEASE, SWITCH STOP WORK)

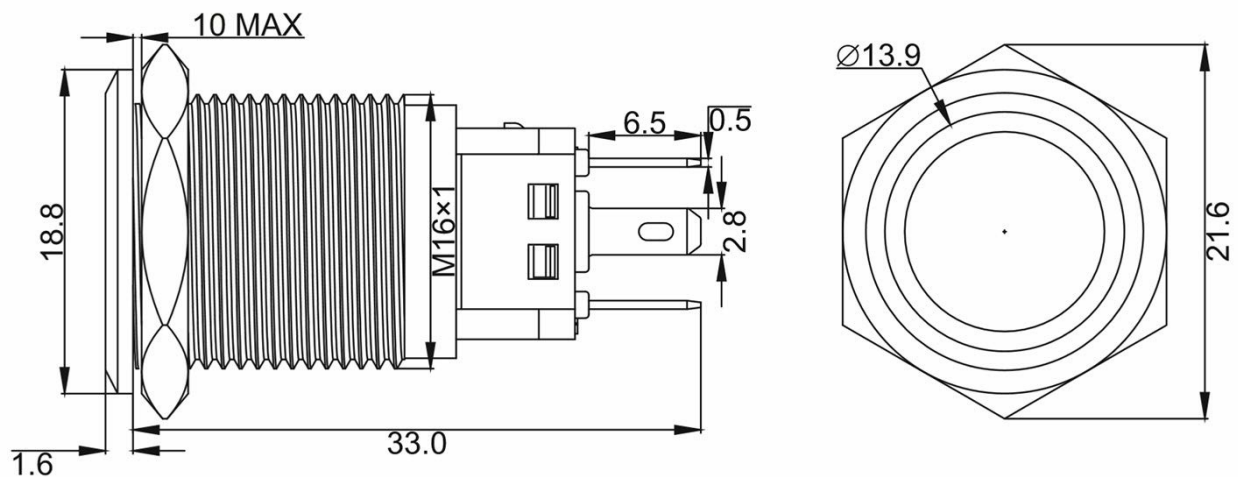


Figure 2: Mounting dimensions and specifications for the 16mm push button switch.

## 2.2 Wiring Instructions

The switch comes with a pigtail socket for easy wiring. The LED operates on 12V DC. The switch contacts are 1 Normally Open (NO) and 1 Normally Closed (NC).

Refer to the wiring diagram below for connection details. The pigtail wires are color-coded as follows:

- **Yellow Wire:** Normal Closed Pin (NC)
- **Blue Wire:** Normal Open Pin (NO)
- **Green Wire:** Common Pin (C)
- **Red Wire:** Positive LED Pin (+)
- **Black Wire:** Negative LED Pin (-)

### Example Wiring for Normally Open (NO) Switch with Always-On LED:

- Connect the **Green Wire** (Common) to the power source positive (+).
- Connect the **Blue Wire** (Normal Open) to the positive (+) input of your device.
- Connect the **Red Wire** (LED +) to a 12V switched power source.

- Connect the **Black Wire** (LED -) to ground (-).
- The **Yellow Wire** (Normal Closed) is not used in this configuration.

This configuration allows the LED to be continuously lit when power is supplied to the red wire, and the switch will complete the circuit to your device when pressed.

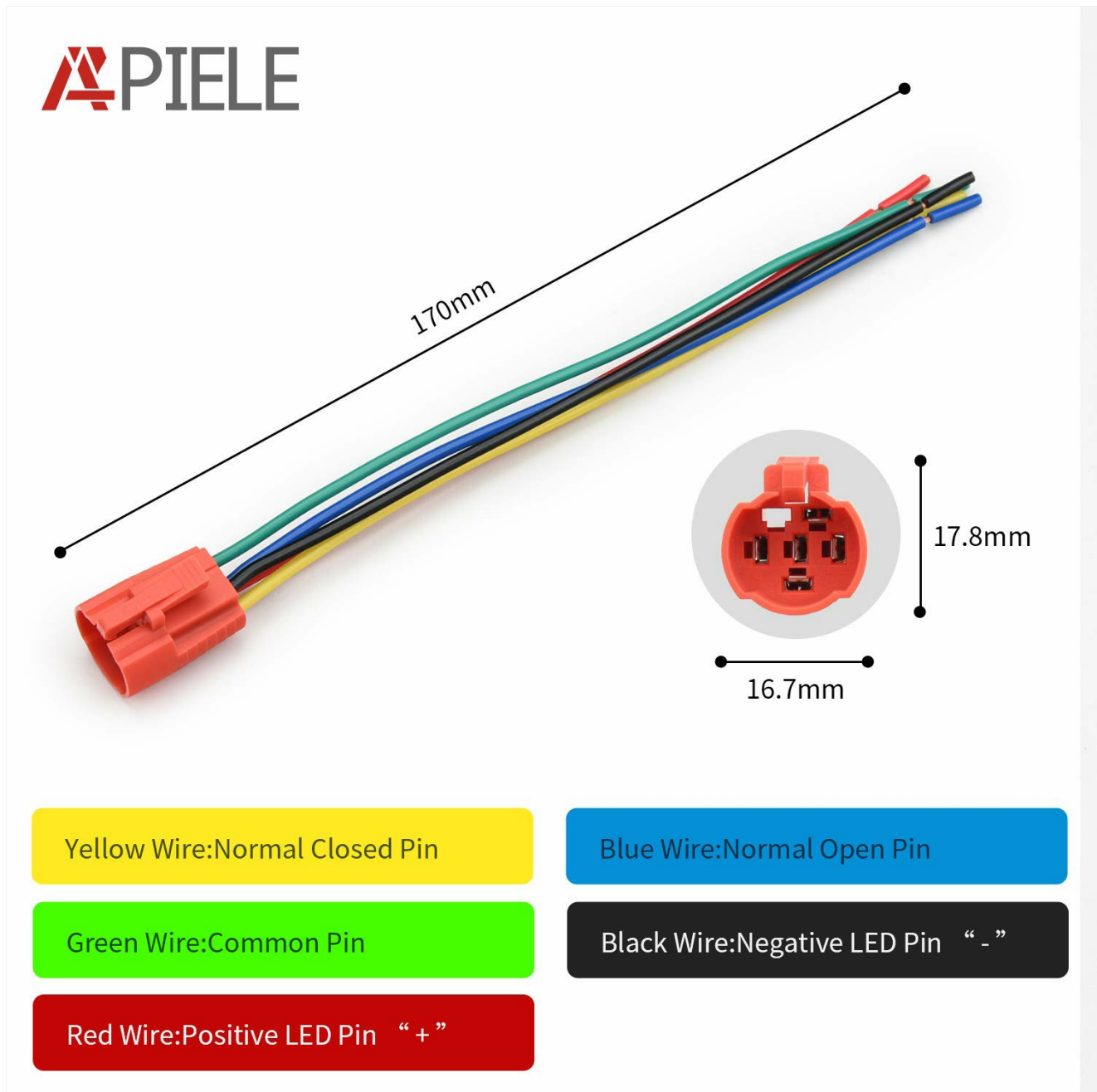


Figure 3: Detailed wiring diagram for the APIELE 16mm push button switch, showing color codes for Normal Closed, Normal Open, Common, Positive LED, and Negative LED pins.

Your browser does not support the video tag.

Video 1: This video demonstrates the features and quick connector for easy wiring of the APIELE 16mm Momentary Push Button Switch.

### 3. OPERATING INSTRUCTIONS

This is a momentary push button switch. To operate, press and hold the button to activate the connected circuit. Release the button to deactivate the circuit. The integrated LED ring will illuminate according to its wiring configuration (e.g., always on, or only when the switch is pressed).

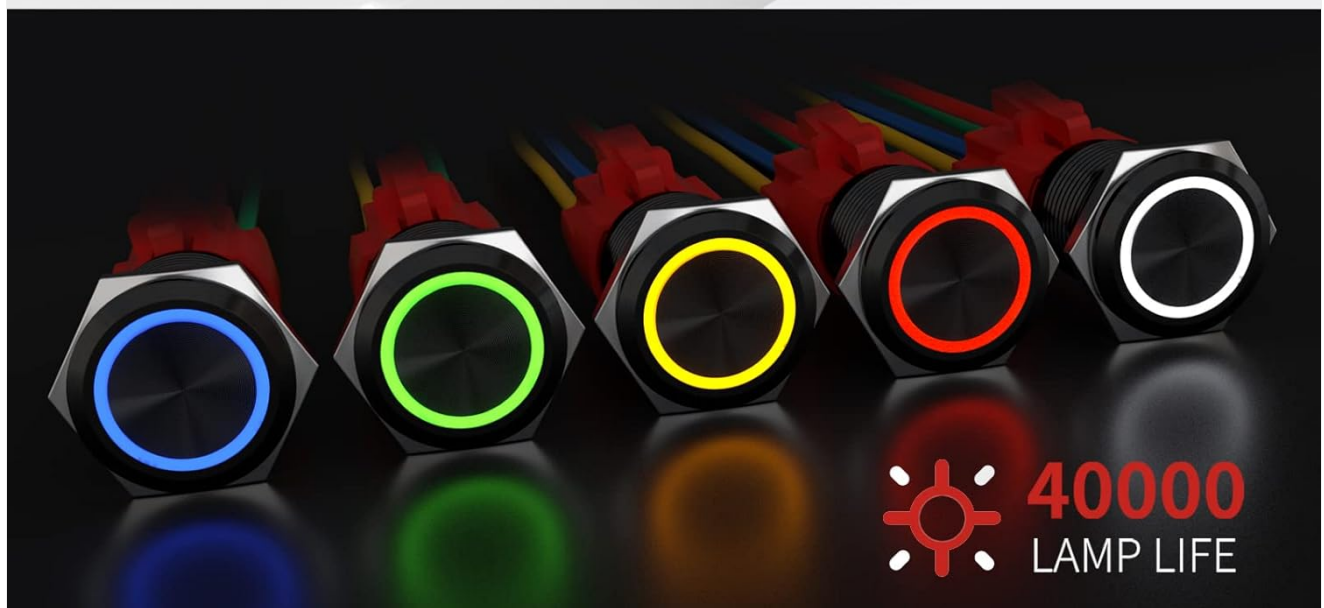


Figure 4: The switch is designed for high durability, with a mechanical life of 1,000,000 cycles and an electrical life of 200,000 cycles.

#### 4. MAINTENANCE

---

The APIELE 16mm push button switch is designed for durability and minimal maintenance. It features an IP67 protection level, making it resistant to dust and water splashes. While it is splash-resistant, it is not designed to be submerged underwater.

- **Cleaning:** Use a soft, dry cloth to clean the switch surface. Avoid abrasive cleaners or solvents.
- **Environmental Conditions:** The switch is suitable for operation in temperatures ranging from -20°C to +55°C.
- **Protection:** The IP67 rating ensures protection against dust ingress and temporary immersion in water (up to 1 meter for 30 minutes). However, prolonged submersion is not recommended.

# IP65 EFFICIENT WATERPROOF

HIGH QUALITY SEALING RING, HIGHER WATERPROOF LEVEL, LONGER SWITCH LIFE



Figure 5: The switch features IP67 protection, indicating high resistance to dust and water splashes.

## 5. TROUBLESHOOTING

If you encounter issues with your APIELE 16mm Momentary Push Button Switch, consider the following troubleshooting steps:

- **Switch Not Activating:**
  - Verify all wiring connections are secure and correctly matched to the diagram (Figure 3).
  - Ensure the power source is providing the correct voltage (e.g., 12V for the LED).
  - Check for any loose connections at the pigtail socket or the device it controls.
- **LED Not Illuminating:**
  - Confirm the Red (+) and Black (-) LED wires are connected to a 12V power source and ground, respectively.
  - Check for proper polarity.
  - Ensure the 12V power source for the LED is active.

• **Intermittent Operation:**

- Inspect all wires for damage or fraying.
- Ensure the switch is securely mounted and the nut torque is within the specified range (5-14Nm).
- Avoid exceeding the switch's rated current (5A/250VAC).

If problems persist after following these steps, contact customer support for further assistance.

## 6. SPECIFICATIONS

Feature	Detail
Brand	APIELE
Model Number	GQ16F-11E-12T
Operation Type	Momentary (Push & Hold, ON; Release, OFF)
Switch Rating	5A/250VAC
Contact Configuration	1NO 1NC
LED Voltage	12V DC
LED Rating	15mA
LED Pattern	Ring Indicator
Mounting Cut Hole	16mm (0.63 inches)
Panel Thickness	1 - 10mm
Nut Torque	5 - 14Nm
Contact Resistance	≤30mΩ
Insulation Resistance	≥1000mΩ
Dielectric Intensity	2000VAC
Operation Temperature	-20°C ~ +55°C
Mechanical Life	1,000,000 cycles
Electrical Life	200,000 cycles
Protection Level	IP67, IK10
Contact Material	Silver alloy
Shell Material	Aluminum
Connector Type	Plug In
Item Weight	0.02 Ounces

Your browser does not support the video tag.

Video 2: This video provides an overview of the APIELE 16mm Push Button Switch, highlighting its design and features.

## 7. WARRANTY AND SUPPORT

---

### 7.1 Warranty Information

Specific warranty details for this product are not provided in the available information. Please refer to the retailer's return policy or contact APIELE directly for warranty inquiries.

### 7.2 Customer Support

For technical assistance, product inquiries, or support, please visit the official APIELE store or contact their customer service department.

APIELE Store: <https://www.amazon.com/stores/APIELE/page/194CDEEB-78B9-40FE-ABD1-C1F44F9C5282>