

[Manuals.plus](#) /

› [WINSOON](#) /

› WINSOON 5FT Barn Door Hardware Kit Instruction Manual

WINSOON GCM1934

WINSOON 5FT Barn Door Hardware Kit Instruction Manual

Model: GCM1934

Brand: WINSOON

INTRODUCTION

This manual provides detailed instructions for the installation, operation, and maintenance of your WINSOON 5FT Barn Door Hardware Kit. Please read all instructions carefully before beginning installation to ensure safe and proper use of the product. This kit is designed for single sliding barn doors, offering a space-saving and aesthetically pleasing solution for various interior spaces.

SAFETY INFORMATION

- Always wear appropriate safety gear, including eye protection and gloves, during installation.
- Ensure the wall structure can support the weight of the barn door and hardware. Consult a professional if unsure.
- Use a stud finder to locate wall studs for secure mounting of the track.
- Do not exceed the maximum weight capacity of 230 pounds for this hardware kit.
- Keep children and pets away from the installation area.
- Two people are recommended for installation to ensure safety and ease of handling.

PACKAGE CONTENTS

Please verify that all components are present before beginning installation:

- 2 x 2.5FT Track sections (total 5FT/150CM)
- 4 x Track Supports
- 2 x Rollers (J-Shape)
- 2 x Door Stoppers
- 2 x Anti-Jump Pads

- 1 x Floor Guide
- 1 x Hex Wrench
- All necessary mounting hardware (screws, anchors, washers)

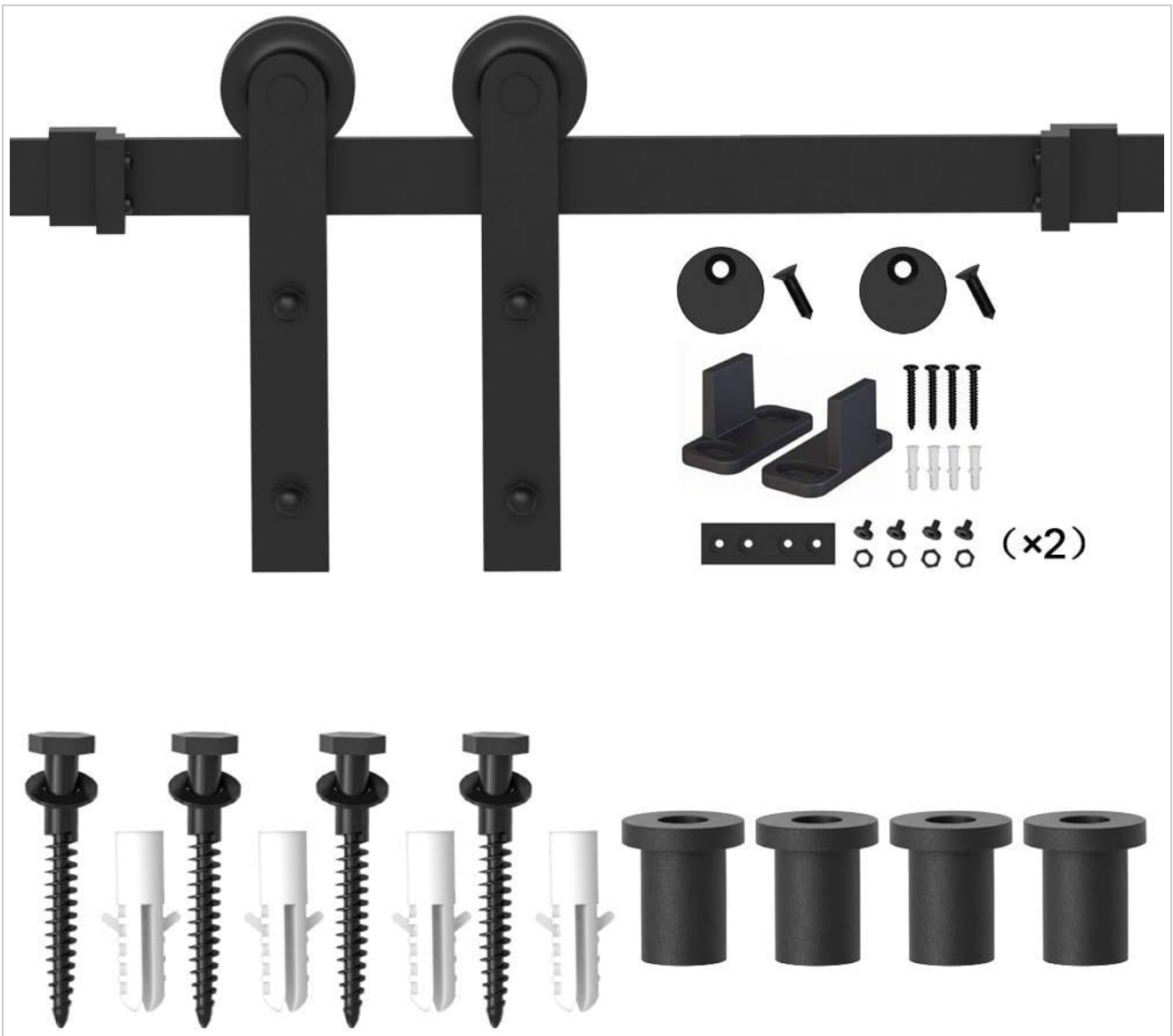


Figure 1: Included components of the WINSOON 5FT Barn Door Hardware Kit.

SPECIFICATIONS

Brand	WINSOON
Model Number	GCM1934
Material	Carbon Steel Alloy
Color	Black
Track Length	5FT (150CM)
Max Door Panel Width	35 inches (approx. 89 cm)
Door Panel Thickness	1 3/8" - 1 3/4" (3.5 cm - 4.5 cm)
Maximum Weight Capacity	230 Pounds (104 kg)

Minimum Ceiling Clearance	5.1 inches (13 cm) above the door
Assembly Required	Yes



Figure 2: Door dimensions and track length considerations.



Figure 3: Detail of the J-shape roller for smooth sliding.

SETUP AND INSTALLATION

Important: The sliding door track length should be at least double the door width. For example, if your door is 35 inches wide, the 5FT (150CM) track is suitable. Ensure a minimum of 5.1 inches (13 cm) clearance between the top of the door and the ceiling.

1. Prepare the Door and Wall

- Measure your door panel to ensure it fits the specified width (max 35") and thickness (1 3/8" - 1 3/4").
- Determine the mounting height for the track. The track should be mounted at a height that allows the door to clear the floor by approximately 1/2 inch.
- Use a stud finder to locate wall studs along the desired track path. Mark these locations. If studs do not align with pre-drilled holes, a header board may be required for secure mounting.

2. Assemble and Mount the Track

1. Connect the two 2.5FT track sections using the provided track connector and screws. Ensure the connection

is tight and stable.

2. Position the assembled track on the wall at the marked height. Use a level to ensure it is perfectly horizontal.
3. Mark the drilling points for the track supports. Drill pilot holes according to the hardware specifications.
4. Attach the track supports to the wall using the provided lag screws and anchors (if necessary). Ensure the wide end of the spacers faces the wall.
5. Secure the track to the track supports.



Figure 4: Track mounting process.

3. Install Rollers and Anti-Jump Pads on the Door

1. Attach the J-shape rollers to the top edge of your door panel. Ensure they are securely fastened and evenly spaced.
2. Install the anti-jump pads on the top edge of the door, between the rollers. These prevent the door from lifting off the track.



Figure 5: Roller and anti-jump pad installation on the door.

4. Hang the Door and Install Floor Guide

1. Carefully lift the door and hook the rollers onto the track.
2. Slide the door to its closed position. Position the floor guide at the bottom edge of the door to prevent it from swinging. Mark the drilling points.
3. Drill pilot holes and secure the floor guide to the floor.
4. Adjust the door stoppers on the track to control the opening and closing limits of the door. Tighten them securely with the hex wrench.



Figure 6: Floor guide installation.



Figure 7: Anti-jump pad and door stopper details.

Installation Video

Video 1: An official WINSOON video demonstrating the installation process of a sliding barn door hardware kit.

OPERATING INSTRUCTIONS

To operate your barn door, simply grasp the door handle and slide the door along the track. The J-shape rollers are designed for quiet and smooth movement. The door stoppers will prevent the door from sliding too far in either direction, and the floor guide will keep the door stable during movement.

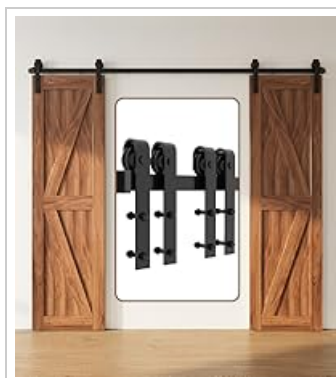


Figure 8: Barn door in open position.



Figure 9: Barn door in closed position.

MAINTENANCE

- Regularly inspect all screws and fasteners to ensure they remain tight. Tighten any loose components to prevent sagging or instability.
- Keep the track clean from dust and debris to ensure smooth operation of the rollers. Wipe the track with a damp cloth periodically.
- Lubricate the rollers and track as needed with a silicone-based lubricant to maintain smooth gliding.
- Check the floor guide for any wear or damage and replace if necessary.

TROUBLESHOOTING

Door is difficult to slide:

- Check the track for any obstructions or debris. Clean thoroughly.
- Ensure the track is level. Adjust mounting if necessary.
- Lubricate the rollers and track.
- Verify the floor guide is not causing excessive friction. Adjust its position or inspect for damage.

Door is wobbly or unstable:

- Tighten all mounting screws on the track and rollers.
- Ensure the anti-jump pads are correctly installed and adjusted.
- Verify the floor guide is securely fastened and properly aligned with the door.

Door does not close completely:

- Adjust the position of the door stoppers on the track.
- Check for any obstructions preventing full closure.

WARRANTY AND SUPPORT

WINSOON products are designed for durability and long-term use. For any issues or questions regarding your barn door hardware kit, please contact WINSOON customer support. Spare parts are generally available for up to 10 years.

For further assistance, please visit the official WINSOON store: [WINSOON Store on Amazon](#)

