

TOOMAX Art. 173

TOOMAX Woody's 90L Outdoor Storage Box Instruction Manual

Model: Art. 173

INTRODUCTION

This manual provides comprehensive instructions for the assembly, operation, and maintenance of your TOOMAX Woody's 90L Outdoor Storage Box. Designed for outdoor use, this plastic storage box features a wood-effect finish and offers a maximum capacity of 90 liters. It is constructed from UV and weather-resistant materials, ensuring durability and ease of cleaning.

SETUP AND ASSEMBLY

The TOOMAX Woody's storage box is designed for easy assembly using solid interlocking components. Please follow the simplified assembly diagrams included with your product. No special tools are typically required for basic assembly.

Assembly Steps:

1. **Unpack Components:** Carefully remove all parts from the packaging. Verify that all components listed in the assembly instructions are present and undamaged.
2. **Prepare the Base:** Place the base panel on a flat, stable surface.
3. **Attach Side Panels:** Connect the side panels to the base using the interlocking mechanisms. Ensure they are securely clicked into place.
4. **Attach Front and Back Panels:** Secure the front and back panels to the side panels and base.
5. **Install the Lid:** Attach the lid to the top of the assembled box, ensuring the hinges are correctly aligned and secured.
6. **Final Check:** Confirm all parts are firmly connected and the box is stable.



Image: The TOOMAX Woody's 90L Outdoor Storage Box with its lid open, showcasing the interior and construction. This image illustrates the product's design and capacity.

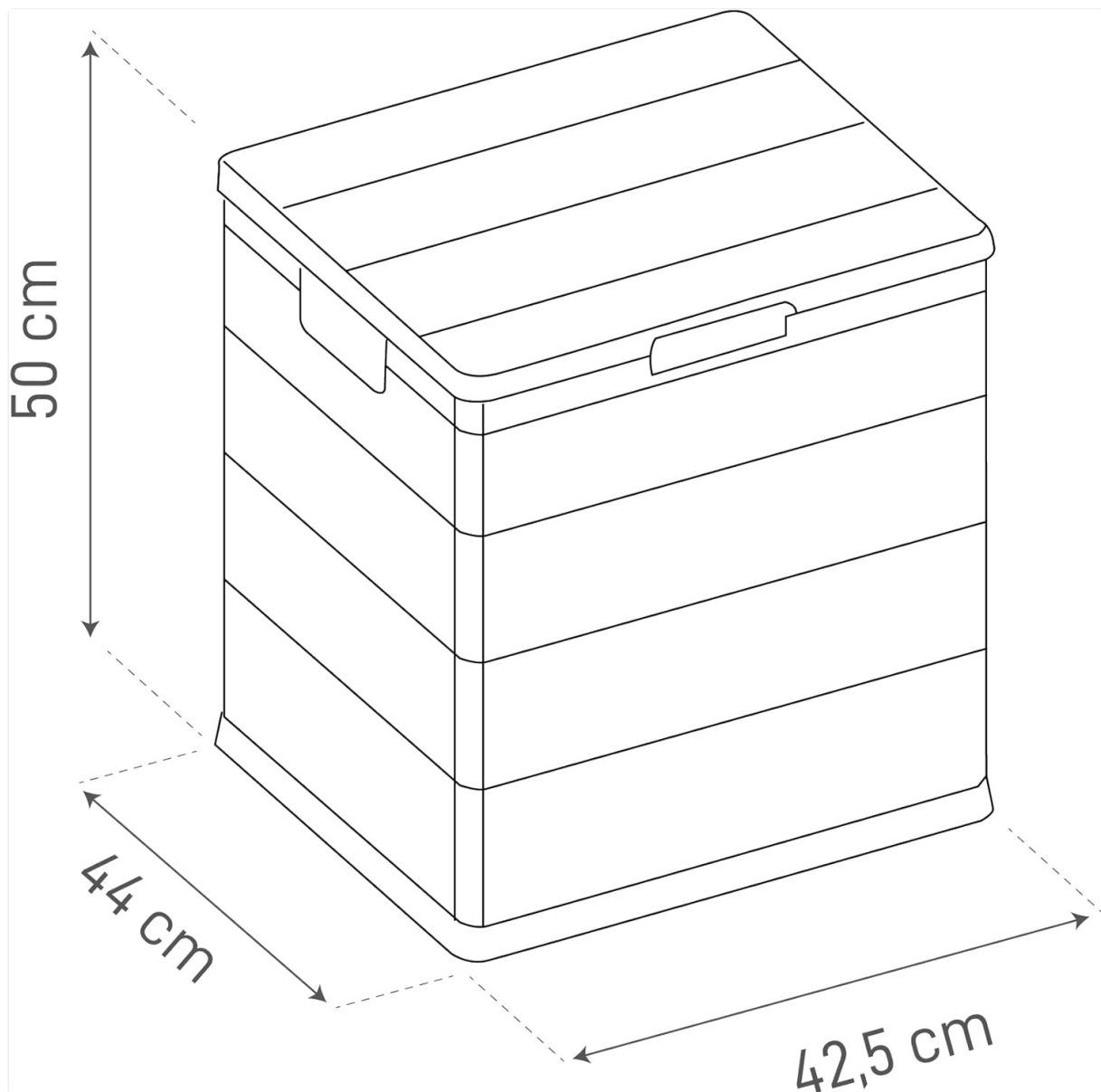


Image: A line drawing illustrating the dimensions of the TOOMAX Woody's 90L Outdoor Storage Box: 42.5 cm (depth) x 44 cm (width) x 50 cm (height). This diagram is useful for planning placement and understanding the product's size.

OPERATING INSTRUCTIONS

The storage box is designed for straightforward use to store various outdoor items such as cushions, garden tools, or toys.

Opening and Closing:

- **Opening:** The lid features an easy-open handle. Simply lift the lid using the integrated handle.
- **Closing:** Gently lower the lid until it rests securely on the box. Ensure no items are obstructing the lid's closure.

Security Feature:

The box includes a provision for a padlock (padlock not supplied) to secure its contents. Insert a standard padlock through the designated hole on the lid and the corresponding slot on the box body to lock it.



Image: A close-up view of the padlock slot on the TOOMAX Woody's storage box, showing a small brass padlock inserted. This highlights the security feature of the box.



Image: The TOOMAX Woody's 90L Outdoor Storage Box placed outdoors, with its lid open and garden cushions stored inside. This demonstrates the practical use and storage capacity of the product.

MAINTENANCE

To ensure the longevity and appearance of your TOOMAX Woody's storage box, follow these simple maintenance guidelines:

- **Cleaning:** Clean the box regularly with water and a neutral soap. Avoid abrasive cleaners or harsh chemicals, as these can damage the plastic and its wood-effect finish.
- **UV and Weather Resistance:** The materials are resistant to UV rays and adverse weather conditions. However, prolonged exposure to extreme elements may still affect its appearance over time.
- **Inspection:** Periodically check all interlocking parts and hinges for any signs of wear or damage.

TROUBLESHOOTING

If you encounter any issues with your storage box, consider the following common solutions:

- **Lid not closing properly:** Check for any obstructions inside the box or along the edges of the lid. Ensure the box is placed on a level surface.

- **Instability:** Verify that all assembly components are securely interlocked. If the box feels wobbly, disassemble and reassemble, ensuring each connection is firm.
- **Water accumulation inside:** While the box is water-resistant, ensure the lid is fully closed and sealed. Check for any cracks or damage to the plastic that might compromise its integrity.

SPECIFICATIONS

Feature	Detail
Brand	TOOMAX
Model Number	Art. 173
Material	Plastic (Polypropylene)
Color	Taupe Grey
Capacity	90 Liters
Product Dimensions (L x W x H)	44 x 42.5 x 50 cm
Weight	2.66 Kilograms
Special Features	Anti-UV, Water Resistant
Closure Type	Locking mechanism (padlock not included)
Style	Rustic (Wood-effect finish)

WARRANTY INFORMATION

Specific warranty details for the TOOMAX Woody's 90L Outdoor Storage Box are not provided in the product information. Please refer to your purchase documentation or contact the retailer for warranty terms and conditions.

CUSTOMER SUPPORT

For further assistance, missing parts, or inquiries not covered in this manual, please contact your retailer or the manufacturer, Plastmeccanica S.p.A. (as listed in product specifications). Keep your purchase receipt and model number (Art. 173) handy when contacting support.