

[Manuals.plus](#) /

› [EMART](#) /

› EMART Adjustable Photo Backdrop Banner Stand 10x8ft User Manual

EMART EM-DBS108

EMART Adjustable Photo Backdrop Banner Stand (10x8ft) User Manual

Model: EM-DBS108

1. INTRODUCTION

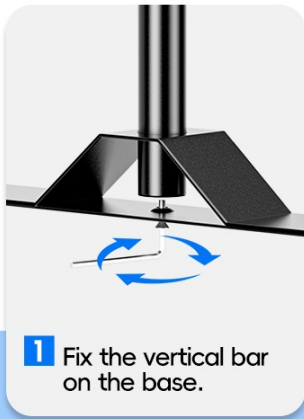
This manual provides instructions for the assembly, operation, maintenance, and troubleshooting of your EMART Adjustable Photo Backdrop Banner Stand. This stand is designed for various applications including trade shows, photography booths, and background displays, offering adjustable height and width for versatile use.

2. PACKAGE CONTENTS

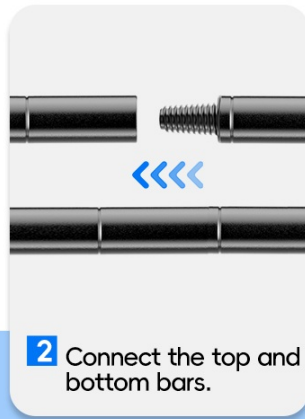
Please verify that all components listed below are included in your package:

- Adjustable Horizontal Tubes (x4)
- 8ft Adjustable Vertical Tubes (x2)
- Heavy Duty Base (x2)
- Hex Key Wrench (x1)
- M6 Screws (x4)
- Sandbags (x2) - *Note: Sand is not included. Fill with gravel, sand, rocks, or other suitable material.*
- Carrying Bag (x1)

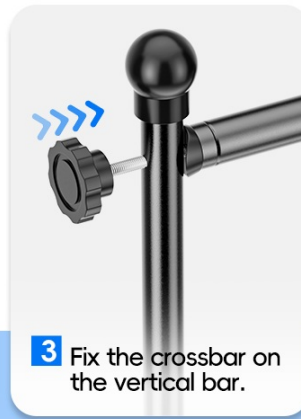
INSTALLATION PROCEDURE



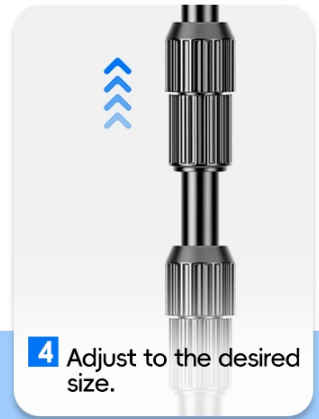
1 Fix the vertical bar on the base.



2 Connect the top and bottom bars.



3 Fix the crossbar on the vertical bar.



4 Adjust to the desired size.

Figure 2.1: All components included in the EMART Adjustable Photo Backdrop Banner Stand package.

3. SETUP INSTRUCTIONS

Follow these steps to assemble your EMART Adjustable Photo Backdrop Banner Stand:

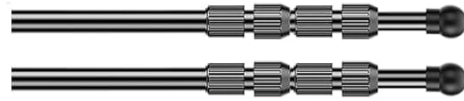
- 1. Attach Vertical Bars to Bases:** Insert each vertical tube into a heavy-duty base. Rotate the screw clockwise to secure the vertical bar firmly to the base.
- 2. Connect Crossbars:** Connect the ends of two different horizontal crossbars to form a longer crossbar. Repeat this for the other two crossbars.
- 3. Attach Crossbars to Vertical Bars:** Extend the top section of each vertical bar to reveal the small hole. Connect one end of a combined horizontal crossbar to the top of one vertical bar, and the other end to the top of the second vertical bar. Secure by tightening the clutch-type knob. Repeat for the bottom crossbar.
- 4. Adjust to Desired Size:** Loosen the telescopic sections of the vertical and horizontal tubes to extend them to your desired height and width. Tighten all knobs to lock the stand in place.

INSTALLATION PROCEDURE

Adjustable Horizontal Tube X4



8ft Adjustable Vertical Tube X2



Heavy Duty Base X2



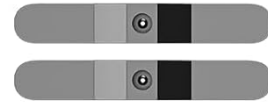
Hex Key Wrench X1



M6 Screws X4



Heavy Duty Base X2



1 Fix the vertical bar on the base.



2 Connect the top and bottom bars.



3 Fix the crossbar on the vertical bar.



4 Adjust to the desired size.

Figure 3.1: Visual guide for the installation procedure of the EMART backdrop stand.

Setup Video Guide

Your browser does not support the video tag.

Video 3.1: Official EMART video demonstrating the assembly of the Adjustable Telescopic Tube Backdrop Banner Stand. This video shows how to connect the vertical tubes to the bases, assemble the crossbars, and attach them to create the full frame.

4. OPERATING INSTRUCTIONS

4.1 Adjusting Height and Width

The EMART backdrop stand features telescopic tubes for stepless adjustment of both height and width. To adjust:

- Loosen the clutch-type knobs on the vertical and horizontal poles.
- Extend or retract the telescopic sections to achieve the desired dimensions.
- Tighten all knobs securely to ensure the stand is stable at the chosen size.

The stand can be adjusted from a minimum height of 3.1ft (37 inches) to a maximum of 8ft (96 inches), and a minimum width of 5.5ft (65 inches) to a maximum of 10ft (120 inches).

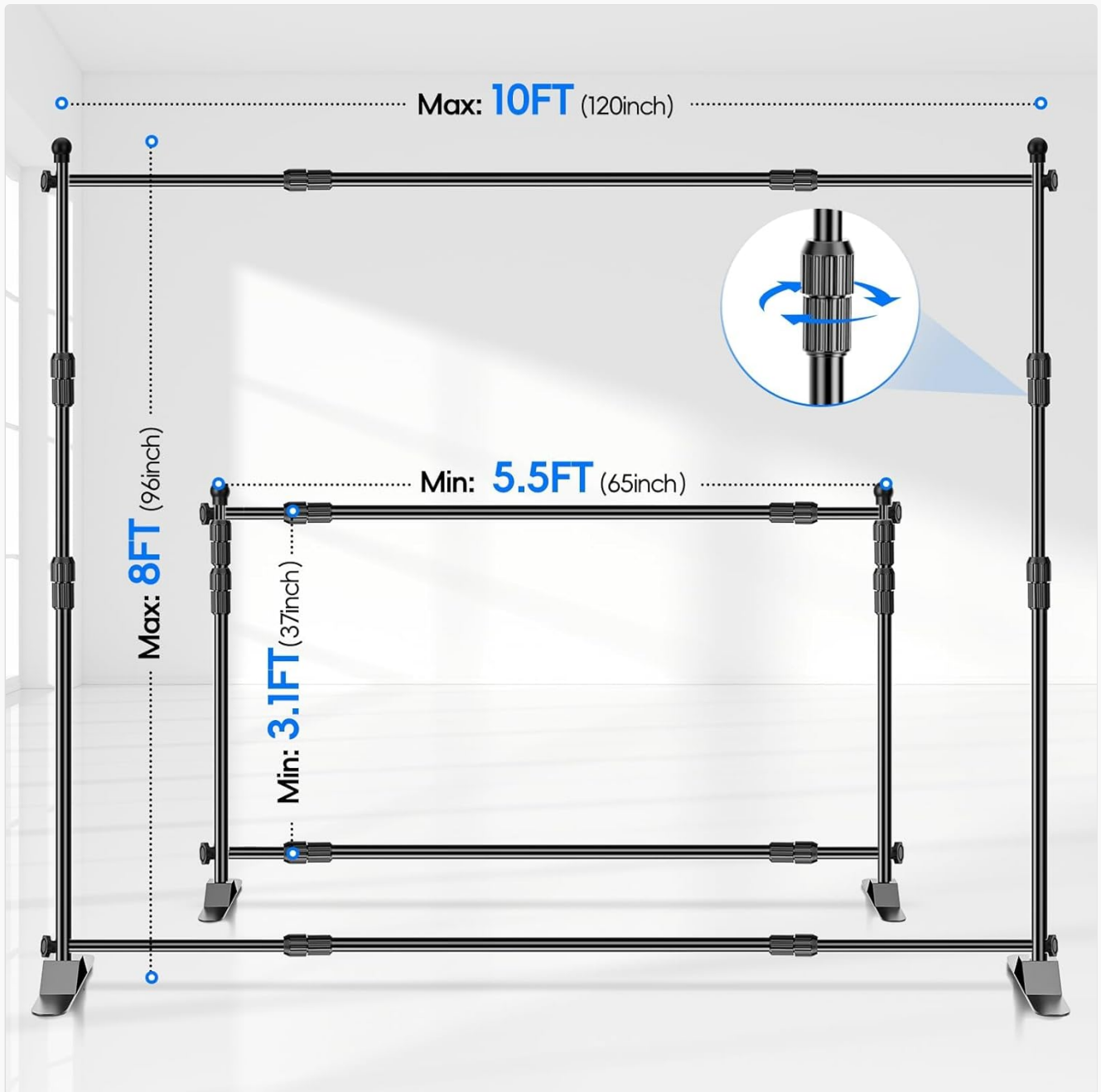


Figure 4.1: Adjustable dimensions of the EMART backdrop stand.

4.2 Ensuring Stability with Sandbags

For enhanced stability, especially when using heavier backdrops or in environments with potential drafts, utilize the included sandbags. Each sandbag is rated for 20 lbs.

- Fill the sandbags with appropriate weighting material such as gravel, sand, or rocks. *Do not use water or ice.*
- Attach the filled sandbags to the bases of the vertical poles to prevent tipping.

STRONG, STABLE, STEADY

Load Capacity 11LB

2 Base Weight

- Protect the banner base
- Wind resistance, more stable
- Stronger, won't fall down easily

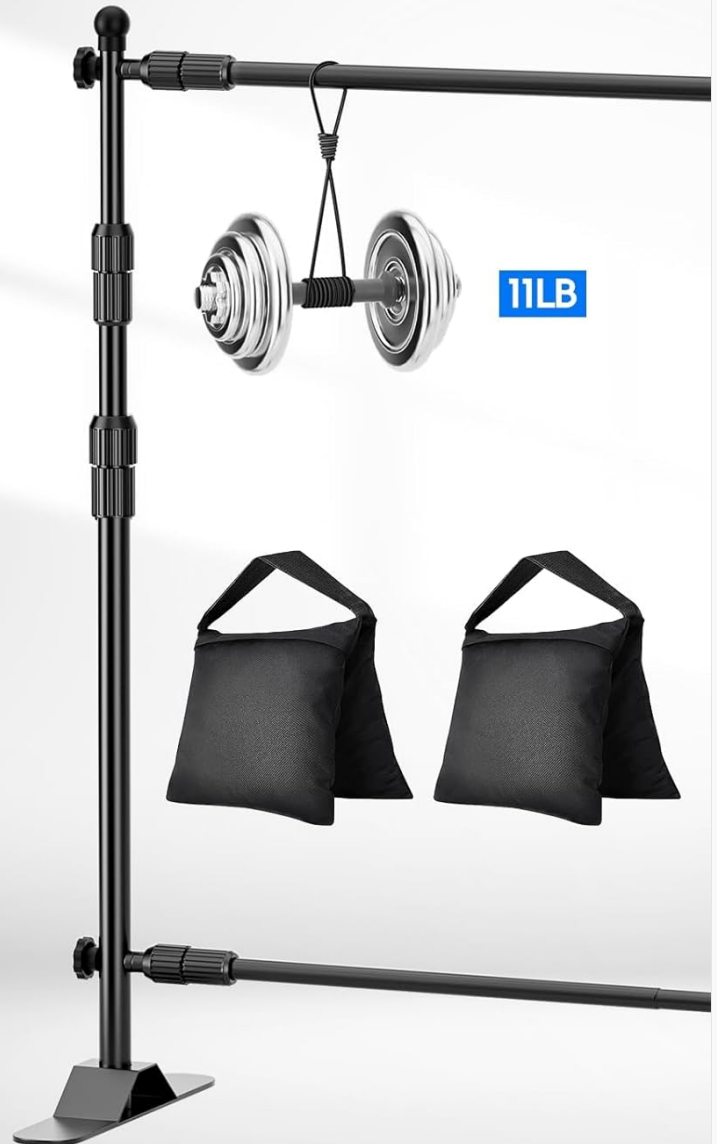
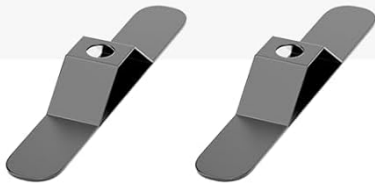


Figure 4.2: Sandbags and heavy bases contribute to stand stability.

5. MAINTENANCE

5.1 Cleaning

Wipe down the aluminum alloy tubes and metal bases with a soft, damp cloth. Avoid abrasive cleaners or solvents that could damage the finish.

5.2 Storage and Transport

When not in use, disassemble the stand and store all components in the provided portable carrying bag. This protects the parts and makes transport convenient.

EASY STORAGE & CARRYING

All kit in a portable bag for easy taking when you go out



13.2 lbs/6 kg Only



Figure 5.1: The portable carrying bag for easy storage and transport.

6. TROUBLESHOOTING

- **Stand is unstable:** Ensure all screws and clutch-type knobs are tightened. Verify that the heavy-duty bases are placed on a flat, stable surface. Use the provided sandbags, filled with appropriate weight, to increase stability.
- **Difficulty adjusting height/width:** Loosen the clutch-type knobs completely before attempting to extend or retract the telescopic tubes. If a tube is stuck, gently twist and pull while applying a small amount of lubricant (e.g., silicone spray) to the joint.
- **Horizontal bar sags in the middle:** Ensure the backdrop material is within the 11 lbs load capacity. Distribute the weight evenly across the horizontal bar. If using a very wide setting, consider adding a central support if available or reducing the width.

7. SPECIFICATIONS

Feature	Detail
Model Number	EM-DBS108
Material	Aluminum
Color	Black
Adjustable Height	Min 3.1ft (37 inches) - Max 8ft (96 inches)
Adjustable Width	Min 5.5ft (65 inches) - Max 10ft (120 inches)
Base Dimensions	19.5" x 3.5" (L x W)
Load Capacity	11 lbs
Item Weight	13.6 Pounds
Special Features	Heavy duty metal base, telescopic vertical and horizontal tubes, sandbags for stability
Required Assembly	Yes

8. WARRANTY AND SUPPORT

Specific warranty details for this product are not provided in the available information. For warranty claims, technical support, or any product-related inquiries, please contact EMART customer service directly through their official website or the retailer from whom the product was purchased.

