

[Manuals.plus](#) /

> [GROHE](#) /

> GROHE Vitalio Joy 260 Shower System User Manual

GROHE 26403001

GROHE Vitalio Joy 260 Shower System User Manual

Model: 26403001

1. PRODUCT OVERVIEW

The GROHE Vitalio Joy 260 Shower System is designed to provide a comprehensive showering experience with integrated temperature control and multiple spray options. This system includes a head shower, hand shower, and an exposed thermostat with a convenient tray. Key features include precise temperature regulation, water-saving technology, and easy-to-clean nozzles.





Figure 1: Front view of the GROHE Vitalio Joy 260 Shower System.



Figure 2: The shower system integrated into a bathroom setting.

2. SETUP AND INSTALLATION

The GROHE Vitalio Joy 260 Shower System is designed for wall mounting. For detailed installation steps, refer to the dedicated installation instructions included with your product. Professional installation is recommended to ensure proper function and adherence to local plumbing codes.

2.1 Key Installation Considerations

- **Mounting Type:** Wall mounting is required. Ensure the wall structure can support the system's weight.
- **Water Connections:** The system connects to standard G 1/2" water supplies.
- **Dimensions:** Carefully review the provided technical drawing for precise measurements and required spacing.

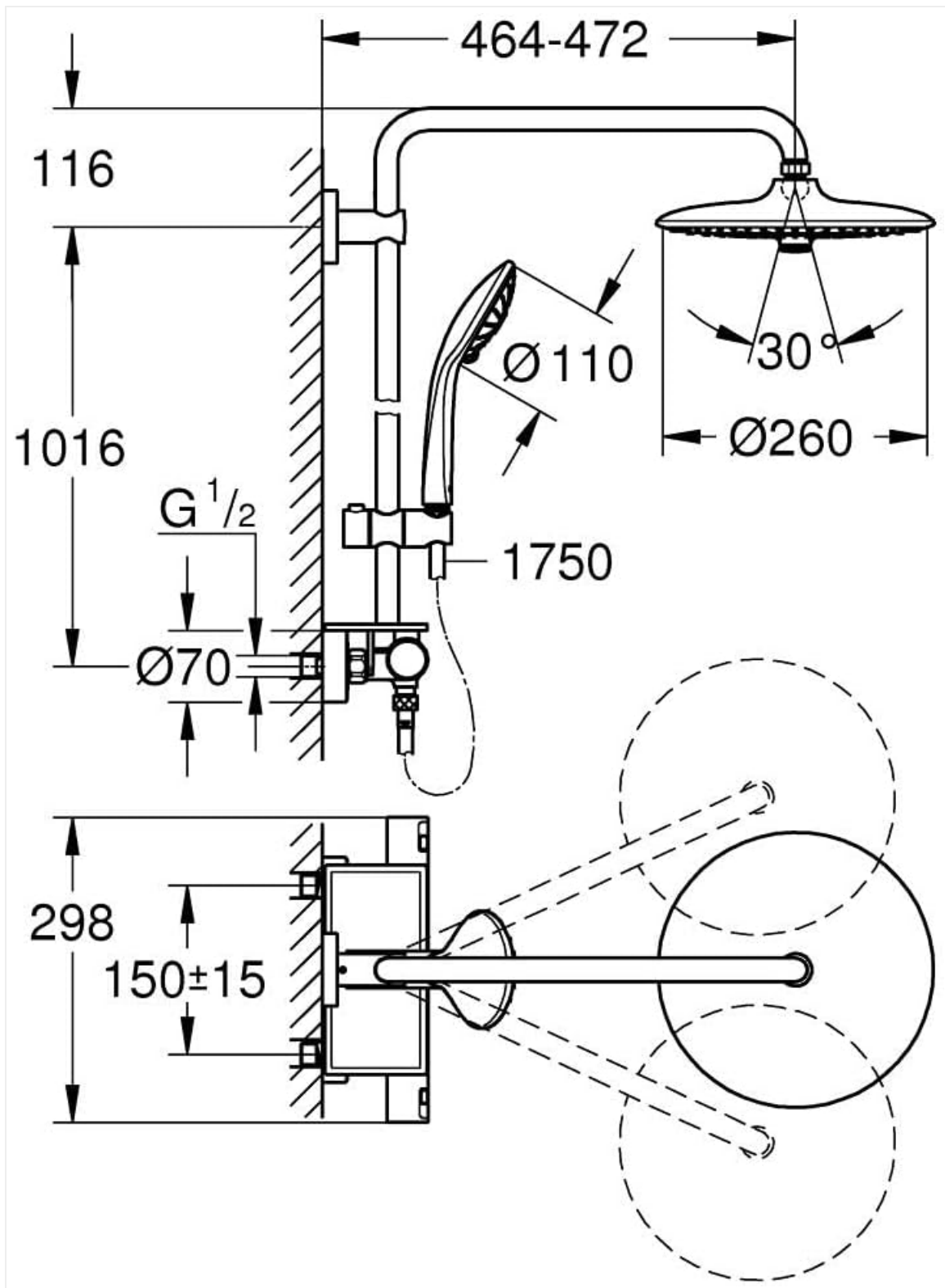


Figure 3: Technical drawing illustrating product dimensions and installation measurements.

3. OPERATING INSTRUCTIONS

This section details how to use the various functions of your GROHE Vitalio Joy 260 Shower System.

3.1 Temperature Control (GROHE TurboStat & SafeStop)

- **GROHE TurboStat:** Set your desired water temperature using the thermostat handle. The TurboStat technology maintains this temperature consistently, even with fluctuations in water supply.
- **GROHE SafeStop:** For safety, the water temperature is limited to a maximum of 38°C. To exceed this temperature, press the SafeStop button on the thermostat handle while turning. An optional SafeStop Plus limiter can be set to prevent temperatures above 43°C.

3.2 Water Flow and Diverter (AquaDimmer)

The AquaDimmer control allows you to adjust the water volume and switch the water flow between the head shower and the hand shower. Rotate the AquaDimmer to select your preferred outlet and adjust flow intensity.

3.3 Head Shower Spray Patterns

The 260mm head shower offers three distinct spray patterns. To select a spray, turn the ergonomic button located on the spray head:

- **Jet Spray:** A powerful, focused spray ideal for rinsing shampoo or an invigorating massage.
- **SmartRain Spray:** A wider, energizing, yet relaxing spray.
- **Rain Spray:** Utilizes all nozzles for full body coverage, providing a soothing shower experience.

3.4 Hand Shower Spray Patterns

The 110mm hand shower also features multiple spray options:

- **Rain Spray:** A soft, delicate spray.
- **SmartRain Spray:** An eco-friendly, revitalizing spray.
- **Massage Spray:** A powerful, pulsating spray for targeted relief.

3.5 Water Saving (GROHE EcoJoy)

The GROHE EcoJoy technology limits water flow to 9.5 liters per minute without compromising showering satisfaction, contributing to water conservation.

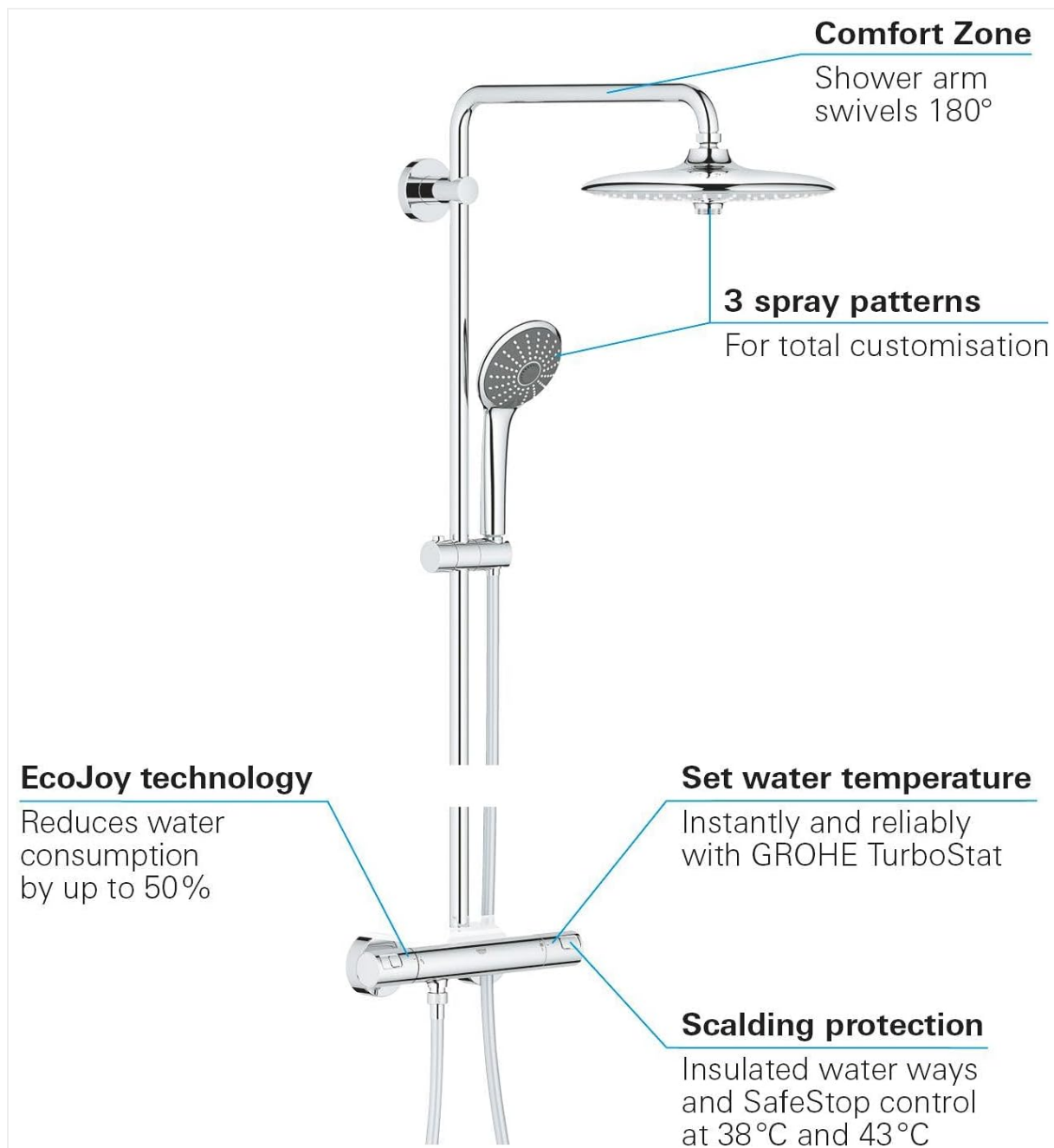


Figure 4: Feature diagram highlighting key operational aspects and technologies.

4. CARE AND MAINTENANCE

Regular cleaning and proper care will ensure the longevity and optimal performance of your GROHE Vitalio Joy 260 Shower System.

- **Cleaning Nozzles (SpeedClean):** The silicone SpeedClean nozzles on both the head and hand showers are designed for easy cleaning. Simply wipe them to remove dirt and limescale deposits.
- **Chrome Finish (GROHE StarLight):** Clean the chrome surfaces with a soft cloth and a mild, non-abrasive cleaning agent. Avoid harsh chemicals or abrasive scrubbers, as these can damage the finish. Rinse thoroughly after cleaning and dry with a soft cloth to maintain its sparkle.
- **Inner WaterGuide:** The Inner WaterGuide technology prevents the surface of the shower from becoming excessively hot, enhancing safety and comfort.

5. TROUBLESHOOTING

If you encounter issues with your shower system, consider the following general troubleshooting steps:

- **No Water Flow or Low Pressure:** Check the main water supply valves. Ensure there are no blockages in the shower hose or head.
- **Inconsistent Water Temperature:** Verify that the hot and cold water supplies are correctly connected. If the issue persists, the thermostat cartridge may require inspection by a qualified plumber.
- **Leaking:** Check all connections for tightness. If leaks persist from the shower head or hand shower, inspect the seals and O-rings.
- **Limescale Buildup:** Refer to the "Care and Maintenance" section for cleaning SpeedClean nozzles.

For complex issues or repairs, it is recommended to contact a certified plumber or GROHE customer support.

6. TECHNICAL SPECIFICATIONS

| Feature | Specification |
|--------------------|------------------------------------|
| Brand | GROHE |
| Model Number | 26403001 |
| Color | Chrome |
| Material | Brass (Handle), Silicone (Nozzles) |
| Finish Type | Polished |
| Number of Handles | 1 |
| Item Weight | 5.4 Kilograms (11.88 pounds) |
| Mounting Type | Wall mounting |
| Head Shower Size | Ø 260 mm |
| Hand Shower Size | Ø 110 mm |
| Hose Length | 1.75 m (VitalioFlex TwistFree) |
| Product Dimensions | 44.88 x 12.6 x 5.91 inches |
| Maximum Pressure | 10 Bars |

7. WARRANTY AND CUSTOMER SUPPORT

Your GROHE Vitalio Joy 260 Shower System is covered by a **5-Year Manufacturer's Warranty**. This warranty covers defects in materials and workmanship under normal use and service.

For warranty claims, technical assistance, or any questions regarding your product, please contact GROHE customer support. Keep your proof of purchase for warranty validation.

You can find contact information for GROHE customer support on their official website or through your local retailer.

