



[Manuals.plus](#) /

- › [Coaster Fine Furniture](#) /
- › Coaster Home Furnishings Alana Upholstered Dining Chair (Model 190162) Instruction Manual

## Coaster Fine Furniture 190162

# Coaster Home Furnishings Alana Upholstered Dining Chair (Model 190162) Instruction Manual

Model: 190162 | Brand: Coaster Fine Furniture

## INTRODUCTION

---

Thank you for choosing the Coaster Home Furnishings Alana Upholstered Dining Chair. This manual provides essential information for the safe assembly, operation, and maintenance of your new dining chairs. Please read these instructions carefully before beginning assembly and retain them for future reference.



Image: Two Alana upholstered dining chairs in a dining room. These chairs feature a rolled top backrest, button tufting, and decorative nailhead trim along the edges, providing an elegant and comfortable seating option.

## SAFETY INFORMATION

- Always assemble the chairs on a soft, clean surface to prevent damage.
- Ensure all bolts and screws are securely tightened before use. Periodically check and re-tighten as necessary.
- Do not stand on the chairs or use them as a step stool.
- Keep small parts away from children during assembly to avoid choking hazards.
- Maximum weight recommendation: 66.44 Pounds. Do not exceed this limit.

## PARTS LIST

Please verify that all components are present before beginning assembly.

Part	Description	Quantity
A	Chair Back	2

Part	Description	Quantity
B	Seat Cushion	2
C	Front Legs	4
D	Back Legs	4
E	Hardware Pack (bolts, washers, Allen wrench)	1

## SETUP AND ASSEMBLY

---

Assembly is required for this product. Please follow these steps carefully.

1. Unpack all components and lay them out on a soft, clean surface to avoid scratching.
2. Attach the front legs (C) to the seat cushion (B) using the provided bolts and washers from the hardware pack (E). Do not fully tighten yet.
3. Attach the back legs (D) to the seat cushion (B) using the provided bolts and washers. Do not fully tighten yet.
4. Align the chair back (A) with the assembled seat and legs. Secure the chair back to the seat cushion and back legs using the remaining bolts and washers.
5. Once all components are loosely assembled, gently place the chair upright on a level surface. Apply even pressure to the seat to ensure all legs are touching the ground.
6. Carefully tighten all bolts using the Allen wrench provided. Do not overtighten.
7. Repeat the process for the second chair.

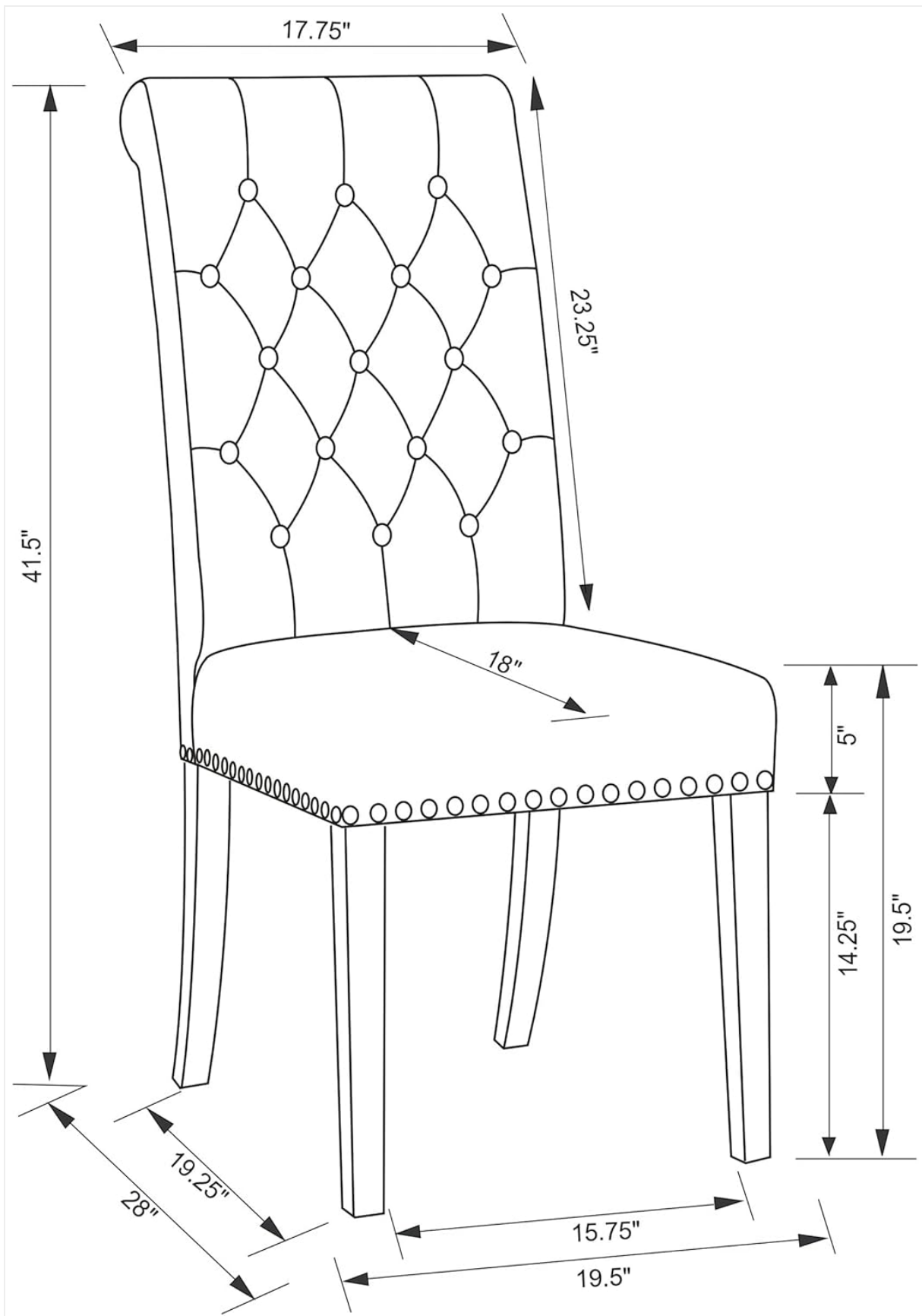


Image: A technical drawing illustrating the dimensions of the Alana dining chair, including height, width, and depth measurements for the seat and backrest. This diagram is useful for assembly and space planning.

## OPERATING AND USAGE

The Alana dining chairs are designed for comfortable seating in dining rooms or similar indoor settings. To ensure longevity and proper function:

- Use the chairs on a flat, stable surface.

- Avoid dragging the chairs across the floor; lift them when moving to prevent damage to legs and flooring.
- Do not expose the chairs to excessive moisture or direct sunlight for prolonged periods, as this may cause fading or material degradation.

## MAINTENANCE

---

Proper care will help maintain the appearance and extend the life of your chairs.

### Cleaning Instructions:

- **Fabric Upholstery:** Spot clean only with a mild, water-free solvent or dry cleaning product. Always test on an inconspicuous area first. Do not saturate the fabric.
- **Wood Legs:** Wipe clean with a soft, damp cloth. Avoid harsh chemicals or abrasive cleaners.
- **General Care:** Dust regularly with a soft, dry cloth.

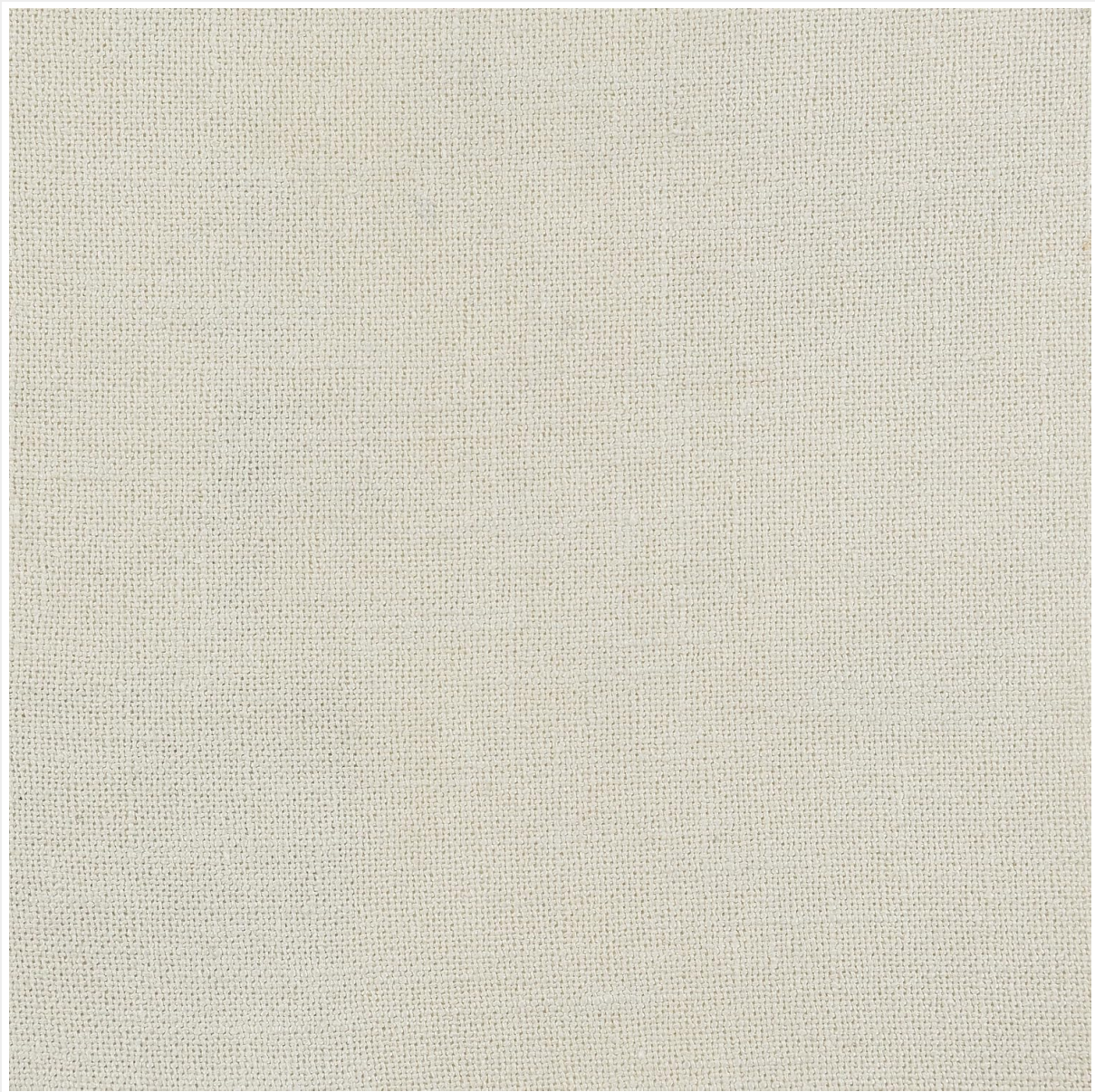


Image: A close-up view of the beige fabric upholstery, highlighting its texture and weave. This fabric is designed for comfort and durability, suitable for regular use in a dining setting.

## TROUBLESHOOTING

---

Problem	Possible Cause	Solution
---------	----------------	----------

Problem	Possible Cause	Solution
Chair wobbles	Uneven floor or loose connections	Ensure chair is on a level surface. Check and tighten all bolts.
Nailhead trim is loose	Normal wear and tear	Gently tap the nailhead back into place with a rubber mallet.
Fabric stain	Spillage	Refer to the 'Maintenance' section for spot cleaning instructions.

## SPECIFICATIONS

Feature	Detail
Model Number	190162
Dimensions (D x W x H)	26.25"D x 19.5"W x 41.5"H
Seat Depth	18 inches
Seat Height	19.5 inches
Weight	33.2 Pounds (per chair)
Maximum Weight Recommendation	66.44 Pounds
Material	Engineered Wood, Fabric, Foam, Poplar
Color	Beige/Rustic Espresso
Assembly Required	Yes

## WARRANTY

This product comes with a **1-year limited warranty**. Please retain your proof of purchase for any warranty claims. For specific details regarding coverage and terms, refer to the warranty documentation included with your product or contact Coaster Fine Furniture customer service.

## SUPPORT

For further assistance, missing parts, or to report any issues, please contact Coaster Fine Furniture customer support. You can typically find contact information on the manufacturer's website or on the packaging of your product.

Video: An introductory video from Coaster Home Furnishings, showcasing their brand philosophy and various furniture lines. This video provides an overview of the company's commitment to quality and style in home furnishings.