



[Manuals.plus](#) /

- › [Bernstein Badshop](#) /
- › BERNSTEIN Shower Toilet Pro+ 1102 User Manual

## Bernstein Badshop 1102

# BERNSTEIN Shower Toilet Pro+ 1102 User Manual

Model: Pro+ 1102

Brand: Bernstein Badshop

## 1. INTRODUCTION

Thank you for choosing the BERNSTEIN Shower Toilet Pro+ 1102. This intelligent wall-mounted toilet system is designed to provide maximum body care and hygiene with advanced features. This manual provides essential information for the safe installation, operation, and maintenance of your new shower toilet. Please read it thoroughly before use and keep it for future reference.



Figure 1: BERNSTEIN Shower Toilet Pro+ 1102 with remote control.

## 2. SAFETY INFORMATION

To ensure safe operation and prevent damage, please observe the following safety precautions:

- Installation must be performed by a qualified professional in accordance with local plumbing and electrical codes.
- Do not attempt to repair or modify the unit yourself. Contact qualified service personnel for any repairs.
- Ensure the power supply is disconnected before any maintenance or cleaning.
- Do not spray water directly onto the main unit or electrical components.
- Keep the remote control dry and away from water.
- This appliance is not intended for use by persons (including children) with reduced physical, sensory or mental capabilities, or lack of experience and knowledge, unless they have been given supervision or instruction concerning use of the appliance by a person responsible for their safety.

### 3. PACKAGE CONTENTS

---

Please check that all components are present in the package:

- BERNSTEIN Shower Toilet Pro+ 1102 Unit
- Remote Control
- Mounting Hardware
- User Manual (this document)

### 4. SETUP AND INSTALLATION

---

The BERNSTEIN Shower Toilet Pro+ 1102 is designed for wall-mounted installation. Professional installation is highly recommended to ensure proper functionality and adherence to safety standards.

#### 4.1. Pre-installation Checks

- Ensure adequate water pressure and electrical supply are available at the installation site.
- Verify that the wall structure can support the weight of the toilet unit and user.
- Confirm all necessary plumbing connections (water inlet, waste outlet) are in place.

#### 4.2. Dimensions

Refer to the diagram below for precise dimensions required for installation:



Figure 2: Product Dimensions (all measurements in mm).

Dimensions: 384 mm (Width) x 593 mm (Depth) x 380 mm (Height).

## 5. OPERATION

The BERNSTEIN Shower Toilet Pro+ 1102 offers a range of intelligent functions for personalized hygiene. All functions are conveniently controlled via the included remote control.

### 5.1. Remote Control Overview

The remote control allows you to activate and adjust all features. Familiarize yourself with the button layout:



Figure 3: Remote Control Layout.

Buttons typically include controls for water jet intensity, temperature, nozzle position, drying, and user profile selection.

## 5.2. Cleaning Functions

The shower toilet features automatic cleaning of the shower arm before and after each use. You can select between different cleaning modes:

- **Lady Shower:** A gentle water stream for feminine hygiene.



**Ladydusche**



**Gesäßdusche**

Figure 4: Lady Shower Function.

- **Rear Shower:** A focused water stream for posterior cleaning.

## Geruchsabsorption

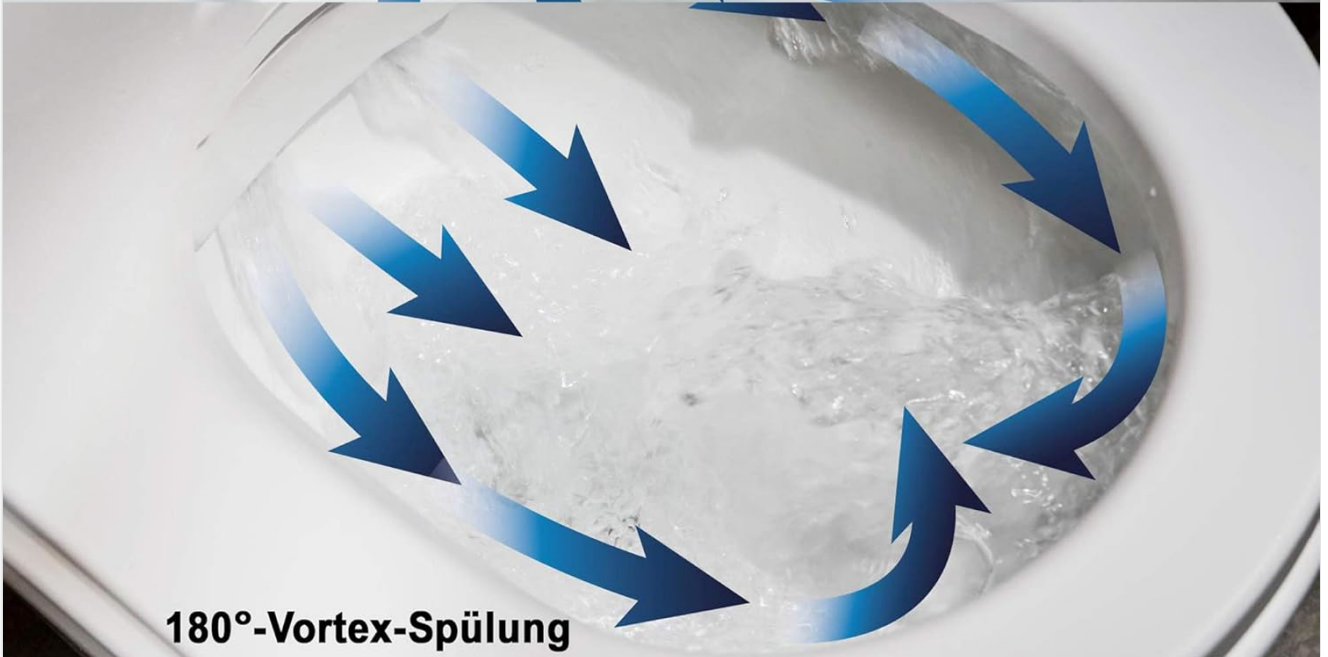


Figure 5: Rear Shower Function.

- **Adjustments:** The shower arm can move forward-backward, and the water jet can be pulsating or oscillating. Water jet intensity and temperature are adjustable in five levels.

### 5.3. Drying Function

After cleaning, activate the body dryer function. The warm air temperature can be adjusted in five levels for optimal comfort.

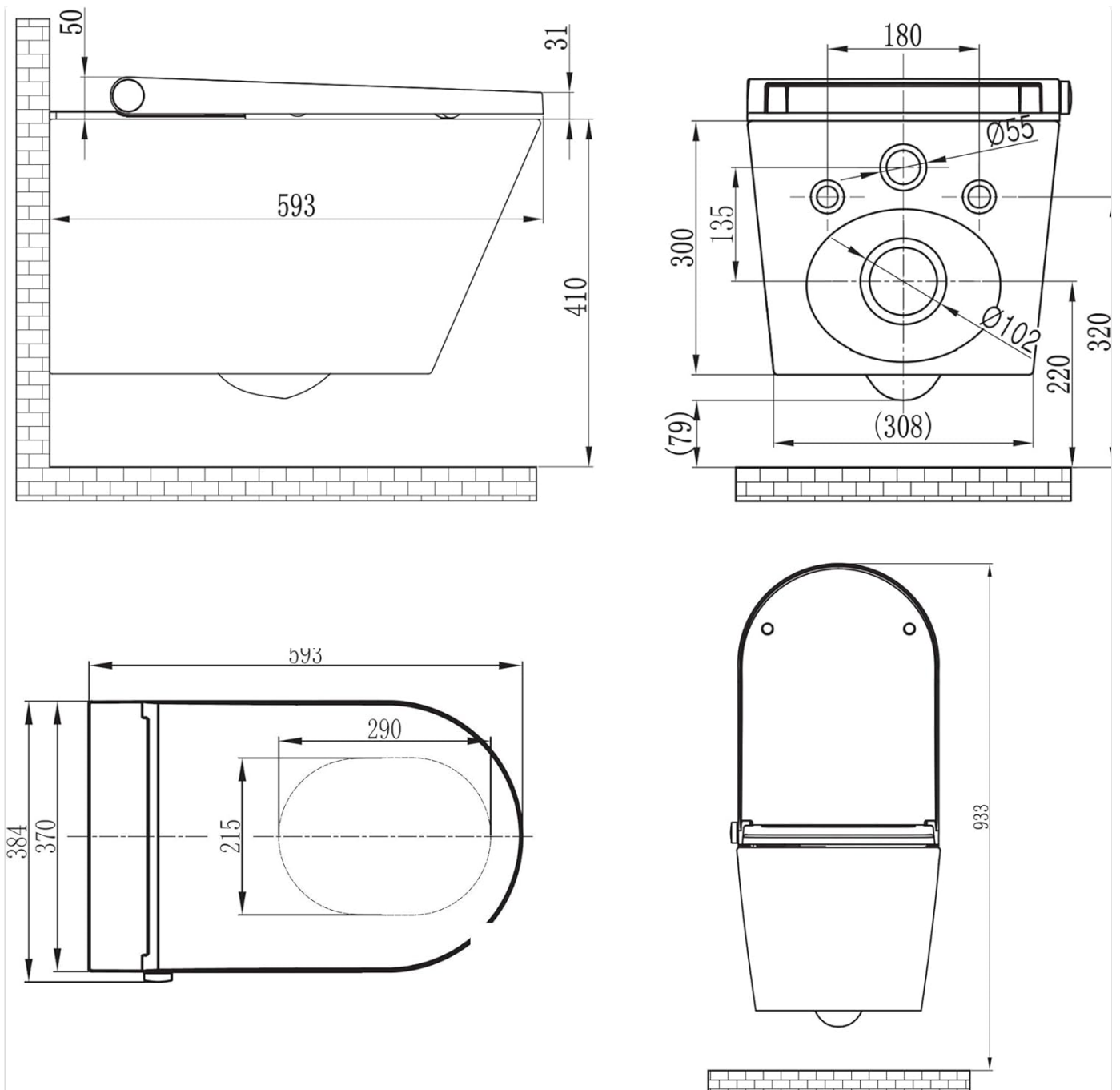


Figure 6: Warm Air Dryer.

#### 5.4. Hygienic Features

- **180° Vortex Flush:** Ensures powerful and thorough flushing of the toilet bowl.



Nextrend GmbH

21642



Diese Leuchte enthält eingebaute LED-Lampen.

A<sup>++</sup>

A<sup>+</sup>

A

~~B~~

~~C~~

~~D~~

~~E~~

} LED

Die Lampen können in der Leuchte nicht ausgetauscht werden.

874/2012



Figure 7: 180° Vortex Flush.

- **Rimless Design:** The toilet bowl is designed without a rim, making it easier to clean and preventing germ buildup.
- **Antibacterial Toilet Seat:** The toilet seat is made from antibacterial material for enhanced hygiene.
- **Odor Absorption:** An integrated system helps to absorb unpleasant odors.

## Warmlufttrockner

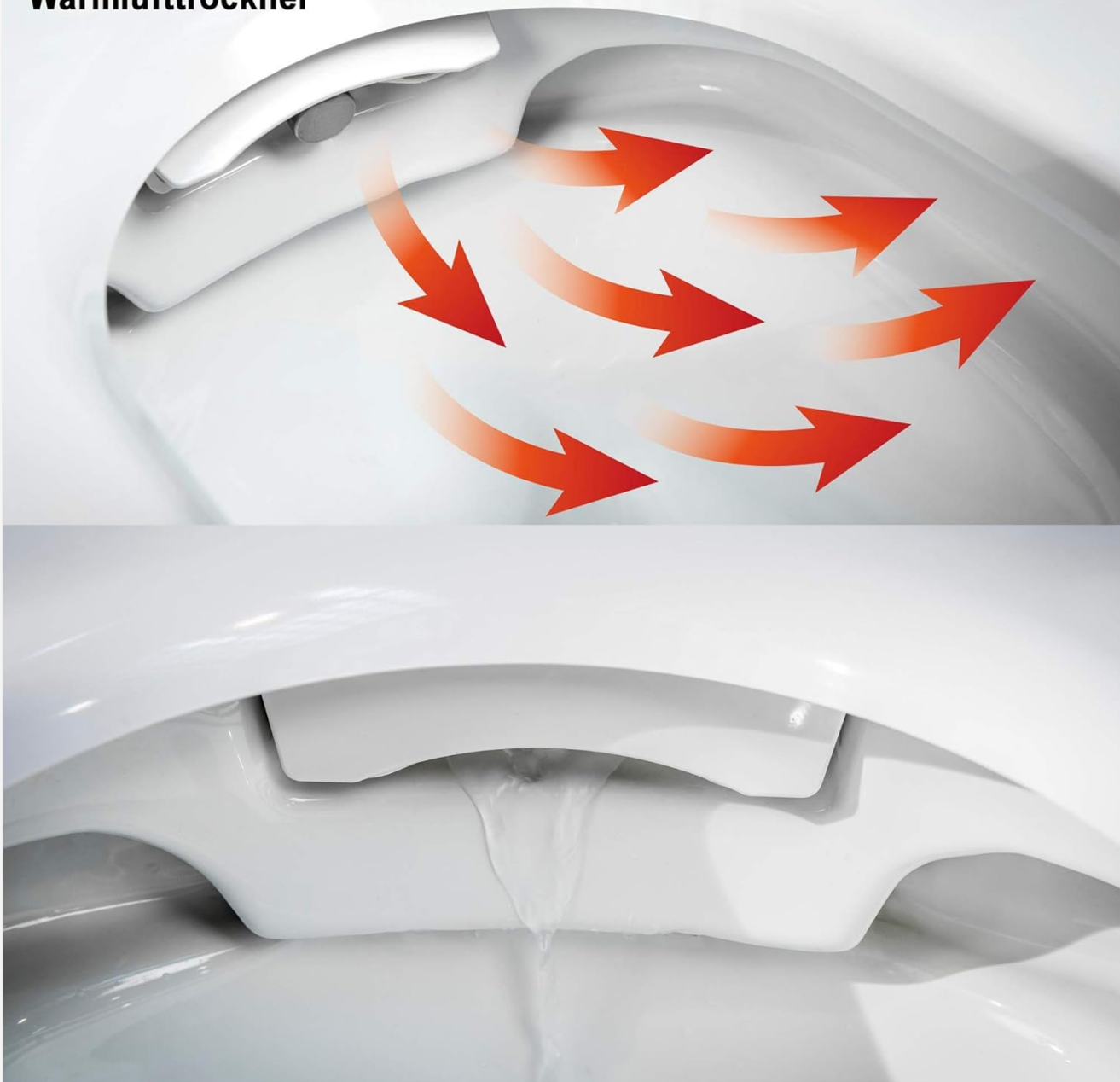


Figure 8: Odor Absorption System.

### 5.5. User Profiles and Night Light

- **User Profiles:** The system allows you to save two user profiles with personal preferences for water temperature, jet intensity, and nozzle position.
- **Night Light Function:** A subtle night light provides illumination for safety in the dark.

## 6. MAINTENANCE AND CARE

Regular cleaning and maintenance will ensure the longevity and optimal performance of your BERNSTEIN Shower Toilet Pro+ 1102.

- **Daily Cleaning:** Use a soft cloth and mild, non-abrasive cleaning agents to wipe down the exterior surfaces.
- **Toilet Bowl:** Clean the rimless toilet bowl with standard toilet cleaners and a brush.
- **Nozzle Cleaning:** The shower arm performs automatic self-cleaning. For deeper cleaning, follow the instructions in the remote control section to manually extend the nozzle and clean it with a soft brush and mild soap.

- **Descaling:** In areas with hard water, regular descaling may be necessary. Use a descaling agent suitable for bathroom fixtures and follow its instructions carefully. Avoid strong acidic or alkaline cleaners.
- **Filter Cleaning:** Consult a professional for periodic cleaning of internal filters to maintain water flow and hygiene.

## 7. TROUBLESHOOTING

If you encounter any issues with your shower toilet, refer to the table below for common problems and solutions. If the problem persists, contact customer support.

Problem	Possible Cause	Solution
No water jet or weak water jet	Water supply valve closed; clogged nozzle; low water pressure.	Open water supply valve; clean nozzle; check household water pressure.
No power	Power cord unplugged; circuit breaker tripped; unit not switched on.	Check power connection; reset circuit breaker; ensure unit is switched on.
Remote control not working	Dead batteries; remote out of range; obstruction.	Replace batteries; move closer to unit; remove obstructions.
Odor persists	Odor absorption filter needs cleaning/replacement; improper ventilation.	Consult manual for filter maintenance; ensure bathroom is well-ventilated.

## 8. SPECIFICATIONS

Feature	Detail
Model Number	Pro+ 1102
Dimensions (W x D x H)	384 x 593 x 380 mm
Weight	32 kg
Material	Ceramic
Installation Type	Wall-mounted toilet
Color	White
Style	Modern and practical
Finish	Rimless
Shape	Round
Included Components	Shower toilet with remote control
Seat Material Type	Thermoset plastic (Duroplast)
EU Spare Parts Availability Period	10 Years

## 9. WARRANTY AND SUPPORT

The BERNSTEIN Shower Toilet Pro+ 1102 comes with a standard warranty. For specific warranty terms and conditions, please refer to your purchase documentation or contact your retailer.

An optional 5-year warranty extension is available for purchase, providing additional security from the date of purchase. This extension covers material, manufacturing, or design defects, as well as shipping costs for replacement parts or devices.

For technical support, spare parts, or warranty claims, please contact Bernstein Badshop customer service. Provide your model number (Pro+ 1102) and date of purchase when contacting support.