



Manuals.plus /

› Winflo /

› Winflo A-WH102B30G 30-Inch Island Range Hood User Manual

Winflo A-WH102B30G

Winflo A-WH102B30G 30-Inch Island Range Hood User Manual

Model: A-WH102B30G

INTRODUCTION

This manual provides detailed instructions for the installation, operation, and maintenance of your Winflo A-WH102B30G 30-inch Island Range Hood. Please read this manual thoroughly before installation and use to ensure proper function and safety. Retain this manual for future reference.

Safety Information

- Always disconnect power before servicing or cleaning the unit.
- Installation must be performed by a qualified technician in accordance with all local codes and standards.
- Ensure adequate ventilation in the room when the range hood is used simultaneously with appliances burning gas or other fuels.
- Do not flambé under the range hood.
- Clean grease filters regularly to prevent grease fires.

INCLUDED COMPONENTS

The following components are typically included with your Winflo A-WH102B30G Island Range Hood:

- Range Hood Main Unit
- Telescoping Chimney Sections
- Mesh Filters
- LED Lights (pre-installed)
- Installation and Mounting Hardware
- Flexible Duct Work

- Power Plug

Note: For non-ducted (recirculating) installation, charcoal filters (part# WRHF004S2) are required and sold separately.

TECHNICAL SPECIFICATIONS

Feature	Specification
Model Number	A-WH102B30G
Air Flow Capacity	475 CFM (Cubic Feet Per Minute)
Material	Stainless Steel, Glass
Noise Level	Less than 65 dB (at high speed)
Mounting Type	Island Mount
Controls Type	Touch Sensor
Voltage	110 Volts
Number of Speeds	3
Item Weight	57 Pounds
Light Source Type	LED
Wattage	208.50 W
Filter Type	Mesh (Aluminum)
Ventilation Type	Convertible (Ducted or Non-Ducted)
Product Dimensions (D x W x H)	29.3 x 23.6 x 40.2 inches
Chimney Adjustment	Fits 8 Ft. - 9 Ft. ceilings (extension available for higher ceilings)
UPC	819037021113

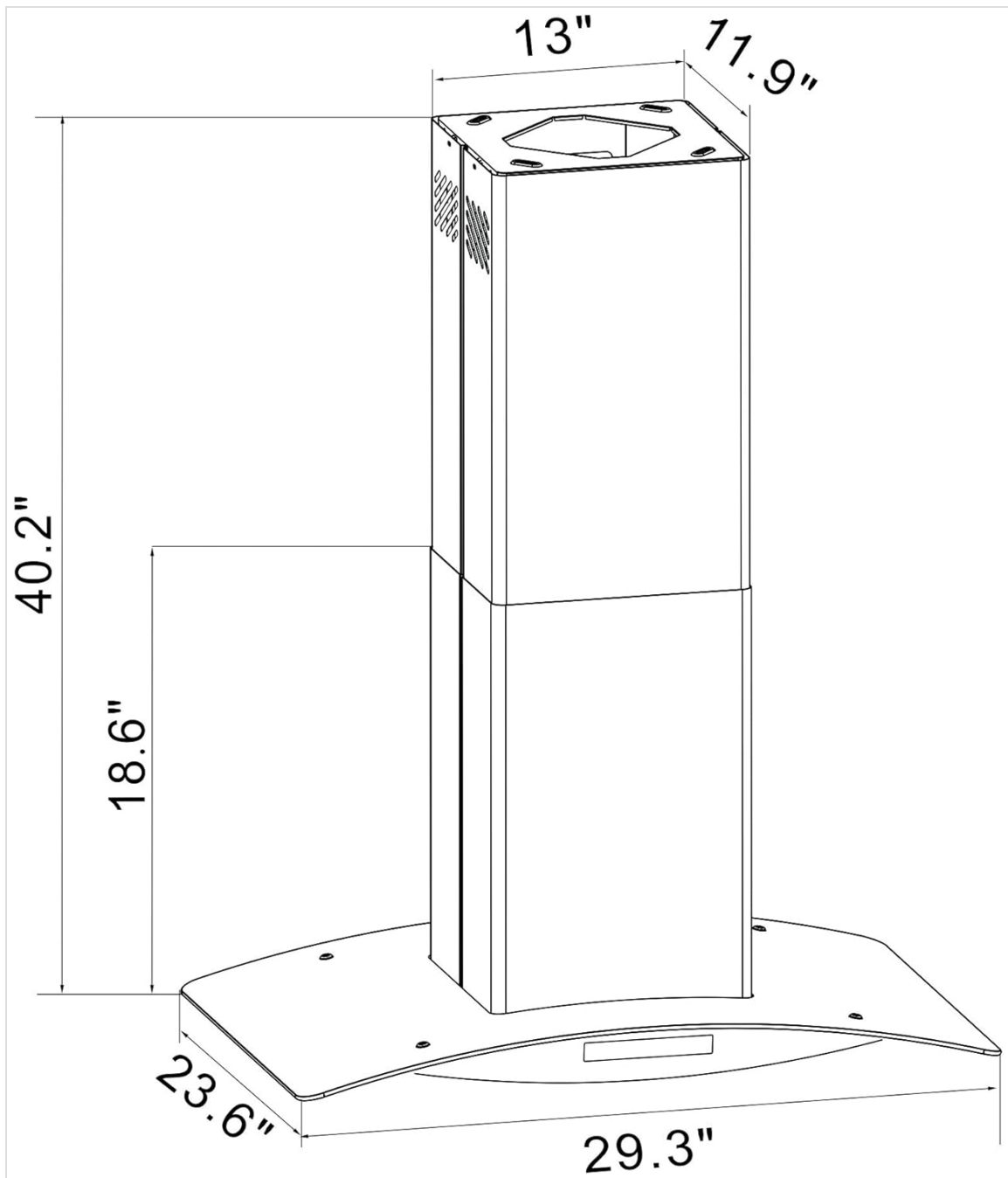


Figure 1: Product Dimensions. This diagram illustrates the overall dimensions of the range hood, including the base (29.3" x 23.6") and the adjustable chimney height (up to 40.2" with an 18.6" adjustable section).

INSTALLATION INSTRUCTIONS

Proper installation is crucial for the performance and safety of your range hood. It is recommended that installation be performed by a qualified professional.

Pre-Installation Checklist:

- Verify all components are present and undamaged.
- Ensure the installation area meets electrical and structural requirements.
- Determine if the installation will be ducted (vented outside) or non-ducted (recirculating).
- For non-ducted installation, ensure charcoal filters (WRHF004S2, sold separately) are acquired.

Mounting the Range Hood:

1. Carefully unpack the range hood and its components.
2. Identify the mounting location on the ceiling, ensuring it is structurally sound to support the weight of the unit (approximately 57 lbs).
3. Install the mounting bracket securely to the ceiling using appropriate hardware. Refer to the detailed diagram in the separate installation guide for precise measurements and drilling locations.
4. Attach the main range hood body to the mounting bracket. This step typically requires two or more people due to the unit's weight.
5. Connect the flexible ductwork to the vent outlet on top of the range hood for ducted installations. Ensure a tight seal.
6. For non-ducted installations, install the charcoal filters (sold separately) according to their instructions.
7. Install the telescoping chimney sections. The chimney is adjustable to fit ceiling heights between 8 and 9 feet. An extension (part# WRHCEI2) is available for higher ceilings.
8. Connect the power plug to a grounded electrical outlet.



Figure 2: Front view of the Winflo A-WH102B30G island range hood, showcasing its stainless steel and glass design with the control panel visible.

OPERATING INSTRUCTIONS

Your Winflo A-WH102B30G range hood features a touch sensor control panel for easy operation.



Figure 3: Touch Sensor Control Panel. This image displays the touch-sensitive buttons for power, fan speed, light, and delay shut-off, along with the digital time display.

Control Panel Functions:

- **Power Button (⏻):** Press to turn the range hood on or off.
- **Fan Speed Control (⚙️):** Press to cycle through the 3 fan speed settings (Low, Medium, High). The current speed may be indicated on the digital display.
- **Light Button (💡):** Press to turn the LED lights on or off.
- **Delay Shut-off (⏸):** Activates a timer for the fan to continue running for a set period before automatically turning off. Consult the full product manual for specific delay times.
- **Time Display:** Shows the current time or timer settings.

For optimal performance, turn on the range hood a few minutes before cooking to establish airflow and leave it running for a few minutes after cooking to clear residual odors and steam.

MAINTENANCE

Regular maintenance ensures the longevity and efficient operation of your Winflo range hood.

Cleaning the Mesh Filters:

The aluminum mesh filters trap grease and should be cleaned regularly, ideally every 3-6 weeks depending on cooking frequency.

1. Ensure the range hood is turned off and disconnected from power.
2. Locate the release latches on the mesh filters. Gently push or pull the latch to release the filter.
3. Remove the filters. They are dishwasher safe for convenient cleaning. Alternatively, wash them by hand using hot water and a mild detergent.
4. Allow the filters to dry completely before re-installing them.
5. Re-insert the filters, ensuring they click securely into place.

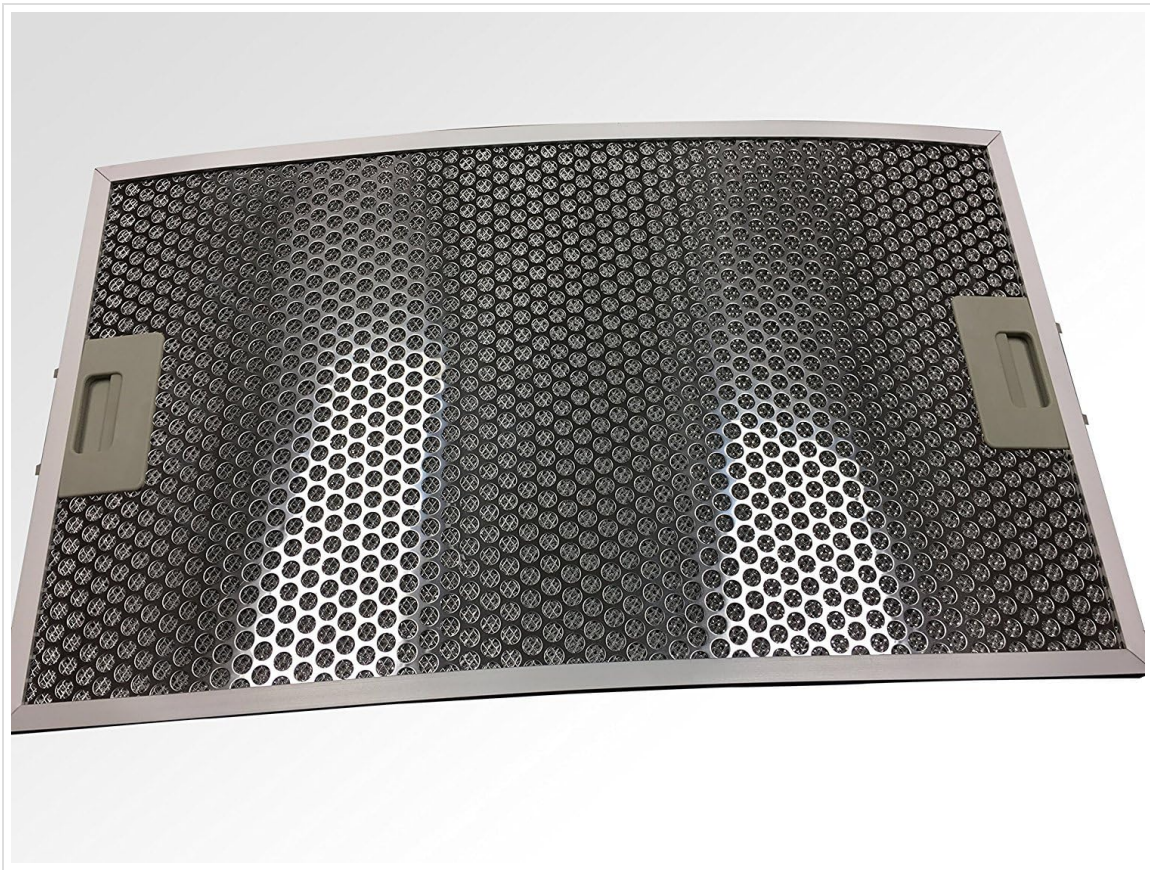


Figure 4: Removable Mesh Filter. This image shows the aluminum mesh filter with its handles, designed for easy removal and cleaning.

Cleaning the Exterior Surfaces:

- Wipe stainless steel surfaces with a soft cloth and a non-abrasive stainless steel cleaner. Always wipe in the direction of the grain.
- Clean glass surfaces with a glass cleaner and a soft cloth.
- Avoid using abrasive cleaners, steel wool, or scouring pads, as these can scratch and damage the surfaces.

Charcoal Filter Replacement (Non-Ducted Installation):

If your range hood is configured for non-ducted (recirculating) operation, the charcoal filters (WRHF004S2) must be replaced periodically, typically every 3-6 months, depending on usage. Refer to the charcoal filter's specific instructions for replacement procedures.

TROUBLESHOOTING GUIDE

This section addresses common issues you might encounter with your range hood. If the problem persists, contact customer support.

Problem	Possible Cause	Solution
Range hood does not turn on.	No power supply; Power cord disconnected; Circuit breaker tripped.	Check if the unit is properly plugged in. Verify the circuit breaker is not tripped. Ensure power is supplied to the outlet.
Fan operates but suction is weak.	Grease filters are clogged; Ductwork is obstructed or too long; Incorrect fan speed setting; Charcoal filters (if non-ducted) are saturated.	Clean or replace mesh filters. Check ductwork for obstructions. Select a higher fan speed. Replace charcoal filters if applicable.
Lights are not working.	LED lights are faulty; Loose connection.	Ensure the light button is pressed. If individual LEDs are out, they may need replacement by a qualified technician.
Excessive noise during operation.	Loose components; Obstruction in fan blades; Improper installation; Ductwork issues.	Check for loose screws or components. Ensure no foreign objects are in the fan area. Verify proper installation and ductwork integrity.
Touch sensor controls are unresponsive.	Moisture or grease on the panel; Internal electrical issue.	Clean the control panel thoroughly with a dry cloth. If the issue persists, contact customer support as an internal component may require service.

WARRANTY INFORMATION

The Winflo A-WH102B30G Island Range Hood comes with a **3-year limited warranty on parts**. This warranty covers defects in materials and workmanship under normal use. Labor costs for repair or replacement are not included.

Please retain your proof of purchase for warranty claims. For detailed terms and conditions, refer to the warranty card included with your product or contact Winflo customer support.

CUSTOMER SUPPORT

If you have any questions, require technical assistance, or need to make a warranty claim, please contact Winflo customer support. Refer to the contact information provided in your product packaging or on the official Winflo website.

When contacting support, please have your model number (A-WH102B30G) and proof of purchase readily available.