

[Manuals.plus](#) /

- › [GOLDEN HOUR](#) /
- › GOLDEN HOUR Luxury Stainless Steel Analog Digital Watch User Manual

GOLDEN HOUR TM-GH-108-B-B

GOLDEN HOUR Luxury Stainless Steel Analog Digital Watch User Manual

Model: TM-GH-108-B-B

INTRODUCTION

Welcome to the GOLDEN HOUR Luxury Stainless Steel Analog Digital Watch user manual. This guide provides detailed instructions on how to set up, operate, maintain, and troubleshoot your new timepiece. Please read this manual thoroughly to ensure proper use and to maximize the lifespan of your watch.

The GOLDEN HOUR watch combines classic analog display with modern digital functionalities, offering versatility and precision for various activities, including outdoor sports. Its robust stainless steel construction ensures durability.



Image: Front view of the GOLDEN HOUR Luxury Stainless Steel Analog Digital Watch in black, showcasing its robust design and dual display.

PRODUCT FEATURES

- **Multifunctionality:** Features include Chronograph, Alarm, Tachometer, Day & Date display, Backlight, LED Digital Display, Weeks display, and Dual Time capability.

- **Movement:** Equipped with a Japanese Miyota Quartz Movement for the analog display and a Digital Display for precise timekeeping.
- **Water Resistance:** Rated 3ATM/98FT (30 meters), suitable for brief immersion, splashes, and rain. Not recommended for swimming or diving.
- **Durable Construction:** Features a round, heavy, and durable black stainless steel band, case, and fold-over clasp.
- **Crystal:** Protected by a scratch-proof mineral crystal.

WATCH COMPONENTS IDENTIFICATION

Familiarize yourself with the various parts and controls of your GOLDEN HOUR watch:

DESCRIPTION

-  Imported Japan
-  Scratch-Proof Mineral Glass
-  Stainless Steel Case&Back
-  Stainless Steel Strap
-  30M Waterproof



Width: 24mm

Image: Detailed diagram illustrating the watch's various functions and their corresponding display areas, including week, date, 12/24 hour format, seconds, alarm, and stopwatch signal.

- **Crown (Right Side):** Used for setting analog time.
- **Push Buttons (Left & Right Sides):** Control digital functions such as mode switching, setting, and chronograph

operations.

- **Analog Display:** Traditional hour, minute, and second hands.
- **Digital Display:** Shows time, date, day, alarm, and chronograph readings.
- **Tachymeter Bezel:** Outer ring with markings for calculating speed.
- **Backlight Button:** Activates the LED backlight for the digital display.

INITIAL SETUP

1. Setting Analog Time

1. Pull the crown out to the first position.
2. Rotate the crown to adjust the hour and minute hands to the correct time.
3. Push the crown back in to its normal position to start the analog movement.

2. Setting Digital Time, Date, and Day

The digital display controls are typically managed by the push buttons on the side of the watch. Specific button functions may vary slightly, but generally follow these steps:

1. Press the **MODE** button (usually bottom-left) repeatedly to cycle through modes: Time, Alarm, Chronograph, Dual Time.
2. When in the Time mode, press and hold the **RESET** button (usually bottom-right) until the seconds start flashing. This indicates setting mode.
3. Press the **START** button (usually top-right) to adjust the flashing value (seconds, hours, minutes, month, date, day).
4. Press the **MODE** button to move to the next setting parameter.
5. Once all settings are correct, press the **RESET** button again to exit setting mode.

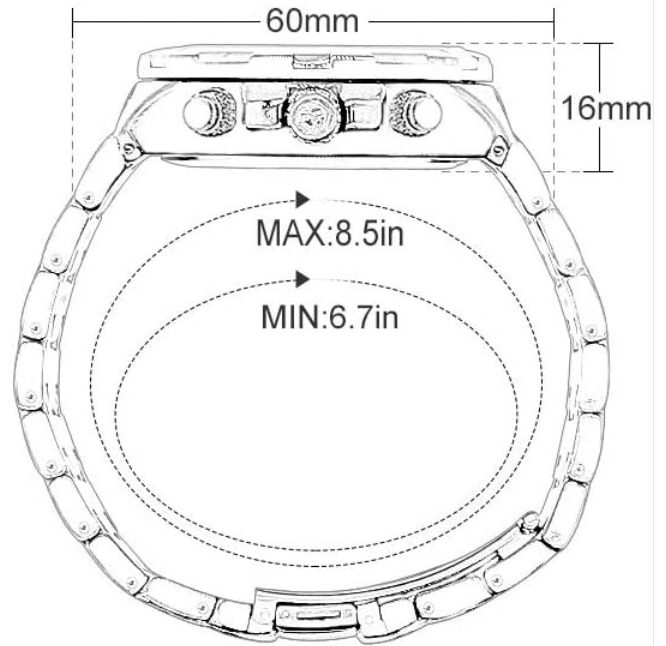
3. Band Adjustment

Your watch comes with a stainless steel band that may require adjustment for a comfortable fit. It is recommended to have this done by a professional jeweler. If you choose to adjust it yourself, a link removal tool is typically required. Carefully push out the pins in the direction of the arrows on the inside of the links to remove excess links. Reinsert pins to secure the band.

PRODUCT PARAMETERS



Wearing size 6.7"(170mm) to 8.5" (215mm)



Weight: 185g

Band Material: Stainless steel

Case Material: Alloy

Bottom Cover Material: 304 Steel



Case Diameter: 46mm



Band Width: 20mm



Case Thickness: 16mm



Band Length: 170-215mm

Image: Technical drawing of the watch with dimensions, including band width and length, useful for band adjustment.

OPERATING INSTRUCTIONS

1. Using the Chronograph (Stopwatch)

1. Press the **MODE** button until "CHRONO" or "STW" appears on the digital display.
2. Press the **START** button to begin timing.
3. Press the **START** button again to pause/resume timing.
4. Press the **RESET** button to stop timing and reset the chronograph to zero.

2. Setting and Using the Alarm

1. Press the **MODE** button until "ALARM" or "AL" appears.
2. Press and hold the **RESET** button until the alarm time starts flashing.
3. Use the **START** button to adjust the hour and minute.

4. Use the **MODE** button to switch between hour and minute settings.
5. Press **RESET** to confirm and exit setting mode.
6. To activate/deactivate the alarm, press the **START** button while in Alarm mode (a bell icon usually indicates activation).

3. Dual Time Function

This feature allows you to display a second time zone digitally.

1. Press the **MODE** button until "DUAL TIME" or "DT" appears.
2. Press and hold the **RESET** button to enter setting mode.
3. Use the **START** button to adjust the hours and minutes for the second time zone.
4. Press **MODE** to switch between hour and minute settings.
5. Press **RESET** to confirm and exit setting mode.

4. Backlight Activation

To illuminate the digital display in low-light conditions, press the **LIGHT** button (usually top-left). The backlight will typically stay on for a few seconds.



Image: The GOLDEN HOUR watch with its green LED backlight illuminated, showing the digital time and day clearly in the dark.

CARE AND MAINTENANCE

1. Cleaning Your Watch

- Wipe the watch case and band regularly with a soft, dry cloth to remove dust and fingerprints.
- For stubborn dirt, dampen the cloth slightly with water and a mild soap, then wipe clean and dry thoroughly.
- Avoid using harsh chemicals, solvents, or abrasive cleaners as they can damage the watch's finish.

2. Water Resistance Guidelines

Your GOLDEN HOUR watch is water resistant to 3ATM (30 meters / 98 feet). This rating means the watch is protected against accidental splashes, rain, and brief immersion in water. It is **not** designed for:

- Swimming or diving.
- Showering or bathing (hot water and steam can compromise seals).
- Operating buttons while the watch is wet or submerged.

Always ensure the crown is fully pushed in before any contact with water.

3. Battery Replacement

The watch uses two types of batteries: one for the analog movement and one for the digital display. When the analog hands stop or the digital display fades, it indicates a low battery. Battery replacement should be performed by a qualified watch technician to prevent damage to the internal components and to ensure water resistance is maintained. The watch back is designed to be opened with a specific tool.

TROUBLESHOOTING

If you encounter issues with your watch, please refer to the table below for common problems and their solutions:

Problem	Possible Cause	Solution
Analog hands not moving.	Low battery for analog movement; crown pulled out.	Push crown in fully. If still not working, replace battery (professional service recommended).
Digital display is blank or dim.	Low battery for digital display.	Replace digital display battery (professional service recommended).
Time is inaccurate.	Time not set correctly; battery low.	Re-set time according to instructions. If issue persists, consider battery replacement.
Buttons are unresponsive.	Watch is in a locked mode; internal malfunction.	Try pressing the MODE button to cycle through modes. If still unresponsive, contact customer support.
Condensation inside the watch.	Water resistance compromised; extreme temperature change.	Avoid further water exposure. Seek professional inspection immediately to prevent damage.

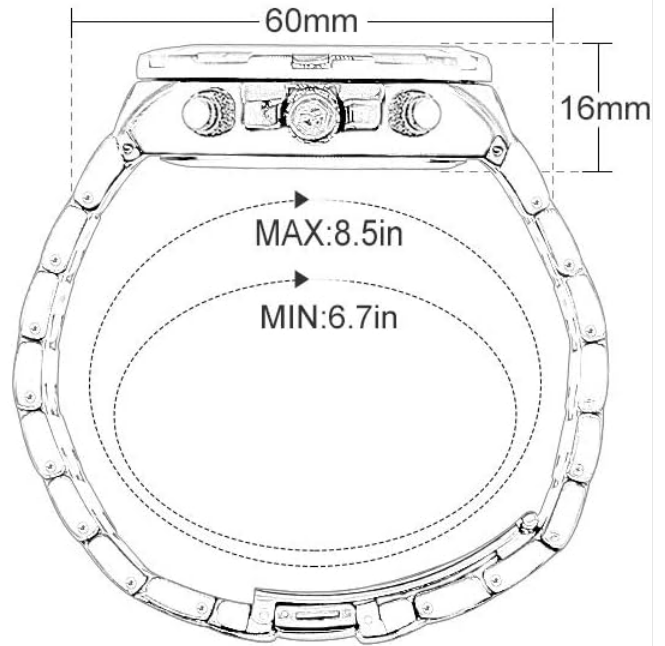
If the problem persists after attempting these solutions, please contact GOLDEN HOUR customer support for further assistance.

TECHNICAL SPECIFICATIONS

PRODUCT PARAMETERS



Wearing size 6.7"(170mm) to 8.5" (215mm)



Weight: 185g	Band Material: Stainless steel
Case Material: Alloy	Bottom Cover Material: 304 Steel

 Case Diameter: 46mm	 Band Width: 20mm
 Case Thickness: 16mm	 Band Length: 170-215mm

Image: Diagram detailing the product parameters including case diameter, thickness, band width, and wearing size range.

Specification	Value
Model Number	TM-GH-108-B-B
Product Dimensions	9.65 x 1.81 x 0.63 inches (24.5 x 4.6 x 1.6 cm)
Weight	6.53 ounces (185 grams)
Case Material	Alloy
Band Material	Stainless Steel
Bottom Cover Material	304 Steel
Case Diameter	46mm

Specification	Value
Case Thickness	16mm
Band Width	20mm
Band Length	170-215mm (6.7-8.5 inches)
Water Resistance	3ATM (30 meters / 98 feet)
Batteries Required	1 Product Specific battery (for analog), 1 Product Specific battery (for digital)

WARRANTY AND SUPPORT

1. Warranty Information

GOLDEN HOUR provides a **1-year after-sales service** against any manufacturing defects from the date of purchase. Additionally, a 15-day charge back and replacement within 30 days are offered for eligible issues. This warranty covers defects in materials and workmanship under normal use. It does not cover damage resulting from accidents, misuse, unauthorized repairs, or normal wear and tear.

2. Customer Support

For any questions, concerns, or assistance with your GOLDEN HOUR watch, please contact our customer service team. You can typically find contact information on the GOLDEN HOUR store page on Amazon or through the retailer where you purchased the product. Please have your model number (TM-GH-108-B-B) and purchase details ready when contacting support.

Visit the official GOLDEN HOUR store for more information: [GOLDEN HOUR Store](#)

© 2025 GOLDEN HOUR. All rights reserved.

This manual is for informational purposes only. Specifications are subject to change without notice.