



Manuals.plus /

› DURA-LIFT /

› DURA-LIFT Ultra-Life MAX 2-Inch Sealed 6200ZZ Bearing Nylon Garage Door Roller Instruction Manual

DURA-LIFT DLMR6200ZZ

DURA-LIFT Ultra-Life MAX 2-Inch Sealed 6200ZZ Bearing Nylon Garage Door Roller Instruction Manual

INTRODUCTION

This manual provides detailed instructions for the installation, maintenance, and specifications of your DURA-LIFT Ultra-Life MAX 2-inch Sealed 6200ZZ Bearing Nylon Garage Door Rollers. These rollers are designed to enhance the smooth and quiet operation of your garage door system.

PRODUCT FEATURES

The DURA-LIFT Ultra-Life MAX rollers incorporate several design elements for improved performance and longevity:

- **Quiet Operation:** The nylon wheel construction significantly reduces garage door noise compared to standard steel rollers.
- **Enhanced Durability:** Equipped with a 6200ZZ sealed bearing, these rollers are rated for 200,000 open and close cycles at a 190 lb. load, offering extended service life.
- **Protective Design:** Front and back sealed caps prevent dust and grime from entering the bearing, maintaining smooth operation.
- **Lubrication Groove:** A dedicated lubrication groove on the roller helps disperse lubricant over an extended period, reducing friction.

DUAL-WALL 6200ZZ BEARING

Rated at 155,000+ door open & close cycles @ 190lb load

VS.

STANDARD BEARING

10,000 door cycles



Figure 1: Key features of the DURA-LIFT Ultra-Life MAX roller, including the nylon wheel, lubrication groove, 4-inch stem, and protective caps.

DURA·LIFT[®]

DOOR HARDWARE **MAX**



Figure 2: Comparison illustrating the superior cycle rating of the DURA-LIFT Dual-Wall 6200ZZ bearing against a standard bearing.

ULTRA LIFE MAX



DURA-LIFT®
DOOR HARDWARE

Figure 3: An exploded view detailing the internal components of the DURA-LIFT Ultra-Life MAX roller, including the sealed bearing and nylon wheel.

SPECIFICATIONS

Attribute	Detail
Brand	DURA-LIFT
Model Number	DLMR6200ZZ
Material	Nylon
Bearing Type	6200ZZ Sealed
Wheel Diameter	1-13/16 inches (fits standard 2-inch track)
Stem Length	4 inches
Shaft Diameter	7/16 inches
Wheel Thickness	1/2 inch
Cycle Rating	200,000 cycles at 190 lb. load
Color	White (wheel), Silver (stem), Black (seal)
Item Weight (10-pack)	3.06 Pounds
UPC	856959007160

ROLLER MEASUREMENTS

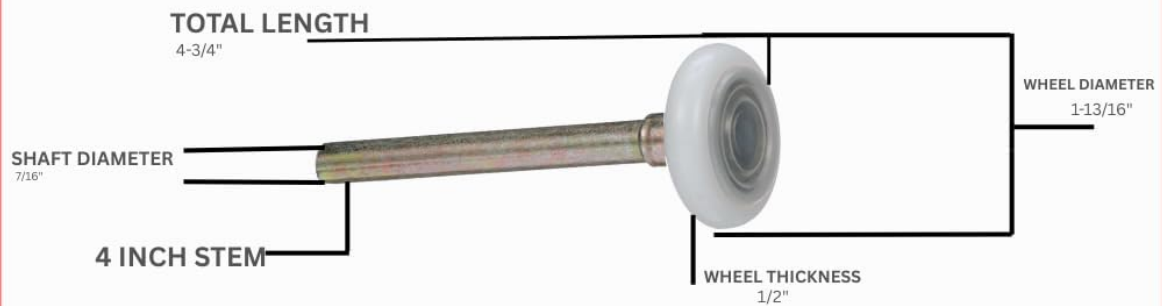


Figure 4: Detailed measurements for the DURA-LIFT garage door roller with a 4-inch stem.

INSTALLATION INSTRUCTIONS

Safety Warning: Garage door springs are under extreme tension and can cause serious injury. If you are unsure about any step, consult a qualified garage door technician. Do not attempt to remove the bottom roller bracket if it is connected to the lift cable, as it is under spring tension.

- 1. Prepare the Door:** Close the garage door completely and disengage the garage door opener. This prevents the door from opening unexpectedly during installation. All rollers will be replaced with the door in the closed position.
- 2. Remove Existing Rollers (Upper and Middle):** For rollers not connected to the lift cable, carefully pull the roller off its track. Use a claw hammer or pry bar if necessary to gently pry the roller out of the track. Once off the track, remove the roller from its hinge bracket.
- 3. Install New Rollers (Upper and Middle):** Insert a new DURA-LIFT roller into the hinge bracket. Repeat this process for all upper and middle rollers, working on one side of the garage door at a time.
- 4. Track Removal (Optional):** If you find it difficult to remove rollers from the track, you may carefully unbolt sections of the track to create more access. Ensure to re-bolt the track securely in place once all new rollers are installed.

5. **Replace Top Rollers:** To replace the top rollers, the door should be closed. Remove the bracket that holds the roller and replace it with a new roller. Reattach the bracket and repeat the process on the other side of the door.
6. **Bottom Roller Replacement (Caution):** The bottom roller is typically integrated with the lift cable and is under significant spring tension. It is recommended to consult a professional for this step or proceed with extreme caution. If replacing yourself, ensure the door is fully open and supported, and the tension on the cable is relieved before attempting to remove the bottom roller.
7. **Re-engage Opener:** Once all rollers are replaced and securely in place, re-engage the garage door opener and test your door to ensure it opens and closes smoothly and quietly.

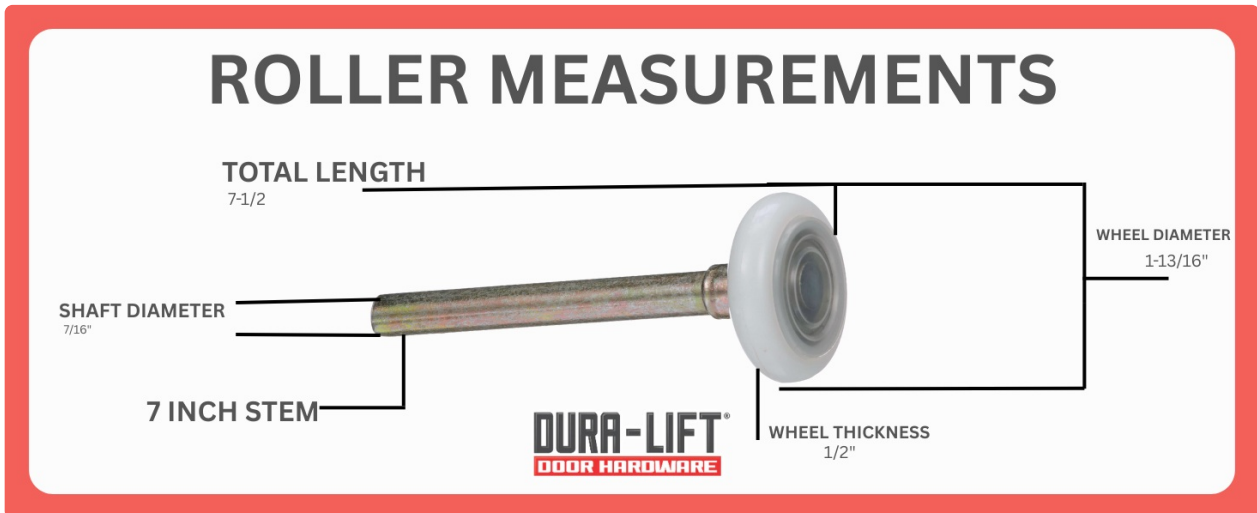


Figure 5: Visual guide for the roller installation process.



Figure 6: A DURA-LIFT roller correctly installed within a garage door hinge bracket.

MAINTENANCE

To ensure the continued smooth and quiet operation of your DURA-LIFT garage door rollers, periodic maintenance is recommended:

- **Lubrication:** Apply a silicone-based garage door lubricant to the roller stems and the inside of the tracks annually. Avoid using WD-40 as it is a degreaser and can remove existing lubrication. The built-in lubrication groove on the rollers helps distribute lubricant effectively.
- **Cleaning:** Periodically inspect the rollers and tracks for any accumulation of dirt, dust, or debris. Clean as needed to prevent interference with roller movement.
- **Inspection:** Regularly check rollers for any signs of wear, damage, or wobbling. While DURA-LIFT rollers are designed for durability, timely inspection can prevent potential issues.

TROUBLESHOOTING

If you experience issues after installing your new rollers, consider the following:

- **Persistent Noise:** While nylon rollers significantly reduce noise, other components of your garage door system (e.g., opener, springs, hinges) may still contribute to sound. Ensure all other moving parts are properly lubricated and in good condition.
- **Rough Operation:** Verify that all rollers are correctly seated in their tracks and that the tracks themselves are clean, free of obstructions, and properly aligned. Check that all hinge bolts are tightened.
- **Roller Wobble:** Ensure rollers are fully inserted into their hinge brackets and secured.

DURA-LIFT[®]
DOOR HARDWARE **MAX**

QUIET YOUR GARAGE DOOR!

- Reduce door noise by up to 75%
- Nylon plastic wheels roll quietly on metal tracks
- 6200ZZ bearing ensures lifetime performance

Figure 7: DURA-LIFT rollers are designed to significantly reduce garage door noise.

WARRANTY AND SUPPORT

DURA-LIFT stands behind the quality of its products. These Ultra-Life MAX rollers come with a **100% Lifetime Guarantee**. In the rare event that a roller fails due to manufacturing defect, DURA-LIFT will provide a replacement.

For technical support, warranty claims, or any questions regarding your DURA-LIFT products, please contact DURA-LIFT Hardware directly. Contact information can typically be found on the product packaging or through the official DURA-LIFT website.

