



[Manuals.plus](#) /

> [AA-Racks](#) /

> AA Racks Model AX302 Aluminum Van Ladder Roof Rack System Instruction Manual

## AA-Racks AX302

# AA Racks Model AX302 Aluminum Van Ladder Roof Rack System Instruction Manual

This manual provides detailed instructions for the safe and proper installation, operation, and maintenance of your AA Racks Model AX302 Aluminum Van Ladder Roof Rack System. Please read thoroughly before use.

## IMPORTANT SAFETY INFORMATION

- Always ensure all components are securely fastened before driving.
- Do not exceed the maximum load capacity of 750 lbs.
- Distribute weight evenly across the crossbars.
- Regularly inspect the rack system for any signs of wear, damage, or loose fasteners.
- Be aware of increased vehicle height and width when carrying cargo, especially when entering garages, car washes, or low-clearance areas.
- Use appropriate tie-downs and secure all cargo to prevent shifting or falling during transit.

## PACKAGE CONTENTS

Verify all components are present and undamaged before beginning installation.

- 3 x Extruded Aluminum Crossbars (72" length)
- 6 x Aluminum Mounting Bases (Gauge 7, 3.5mm actual)
- 6 x Adjustable Ladder Stoppers
- Stainless Steel Hardware Kit (bolts, washers, nuts)

- Rubber Sealing Strips
- Installation Instructions

**ADJUSTABLE TIE-DOWNS**  
Aluminum tie-down adjustments spread across the full width to hold various load sizes.

**6 PIECE**

**STABLE LOAD-BEARING ABILITY**  
Mounting base is made of Gauge 7 (3.5mm actual) aluminum. Holds up to 750lbs ( Per bar is 250 lbs ) when racks are properly installed and weight is distributed evenly.

**WITH 6 PIECE RUBBER SEALING STRIP**  
Insert the Rubber Sealing Strip into the Cross-Bar's upper & lower channel to reduce wind-noise.

**6 PIECE**

**THE RACK IS MADE OF ALUMINUM WHICH FEATURES A RUST-FREE MATERIAL.**

Image: All components of the AA Racks AX302 system laid out, including three crossbars, six mounting bases, six ladder stoppers, and hardware.

## VEHICLE COMPATIBILITY

This AA Racks Model AX302 system is specifically designed for the following full-size cargo vans:

- RAM ProMaster (2013-On models)
- Ford Transit (2015-On models)

An adapter base is included to ensure proper fitment for these specific vehicle models.

# COMPATIBILITY GUIDE

▶ We highly recommend our roof-rack system. **DESIGNED FOR SPECIFIC MODELS**, which tailored fit the van roof better than universal racks.

▶ Our tool kit includes **CUSTOMIZED ACCESSORIES** to apply for below different vehicle models.

AA-Racks™

## MODEL: AX312 SERIES FOR COMPACT VAN

### COMPATIBLE:

- MERCEDES BENZ METRIS 2014 - ON

BAR SIZE: 60"L \* 7"W \* 11"H

### COMPATIBLE:

- DODGE RAM PROMASTER CITY 2015 - ON

BAR SIZE: 50"L \* 7"W \* 11"H  
60"L \* 7"W \* 11"H

### AMAZON ASIN:

- B07JQCZXB / B07JQ4FQYX  
B07JQG29S4

### COMPATIBLE:

- CHEVY CITY EXPRESS 2013-2017
- NISSAN NV200 2013-ON
- FORD TRANSIT CONNECT 2014 - ON

### BAR SIZE:

- 50"L \* 7"W \* 11"H
- 60"L \* 7"W \* 11"H

### AMAZON ASIN:

- B07JQBVB89 / B07JQFGRCX  
B07JQZB1CZ / B07JQD5JH8

## MODEL: AX302 SERIES FOR CARGO VAN ( HEAVY DUTY VAN )

### COMPATIBLE:

- NISSAN NV 1500/2500/3500 2012 - ON

### BAR SIZE:

- 72"L \* 7"W \* 11"H

### AMAZON ASIN:

- B07835TLGM / B078381C52

### COMPATIBLE:

- PROMASTER FULL-SIZE CARGO 2013 - ON
- FORD TRANSIT CARGO 2015 - ON

### BAR SIZE:

- 72"L \* 7"W \* 11"H

### AMAZON ASIN:

- B07837C65N / B077NZQLPK

Image: Compatibility guide showing AX302 series for Promaster and Transit vans, and AX312 series for compact vans.

## SETUP & INSTALLATION

### Pre-Installation Steps

1. Unpack all components and verify against the package contents list.
2. Familiarize yourself with all parts and hardware.
3. Clean the vehicle's roof mounting points thoroughly to ensure proper adhesion and secure fitment.
4. No drilling is required as the system utilizes existing factory mounting points on your van's roof.

### Component Assembly

5. Slide the T-screws into the T-channel of each crossbar.
6. Attach the mounting bases to the crossbars using the provided stainless steel bolts and washers. Ensure they are finger-tight for now.
7. Insert the rubber sealing strips into the upper and lower channels of the crossbars. Trim to suitable length. This helps reduce wind noise and provides anti-slip functionality.
8. Attach the ladder stoppers to the crossbars, sliding their T-screws into the T-channel. Adjust their position as needed.

Video: Ram Promaster Ladder Rack Installation Video. This video demonstrates the assembly of the crossbars, mounting bases, and ladder stoppers.

### Roof Mounting

9. Locate the factory mounting points on your van's roof. Remove any existing plastic caps or covers.
10. Place the assembled crossbars onto the roof, aligning the mounting bases with the factory mounting

points.

11. Secure the mounting bases to the vehicle's roof using the provided stainless steel hardware. Tighten all bolts evenly and securely. Do not overtighten.
12. Ensure all ladder stoppers are adjusted to the desired width for your cargo and securely tightened.



Image: White van with three installed AA Racks AX302 roof rack crossbars, viewed from the rear-top angle.

Video: Ford Transit Connect Roof Rack System. This video shows the installation process on a Ford Transit van.

## OPERATING INSTRUCTIONS

The AA Racks Model AX302 is designed for efficient and secure transport of ladders, lumber, pipes, and other long cargo.

- **Loading Cargo:** Place your cargo onto the rubber-lined crossbars. Utilize the adjustable ladder stoppers to prevent lateral movement.
- **Securing Cargo:** Use appropriate tie-down straps or bungee cords (not included) to firmly secure the cargo to the crossbars and ladder stoppers. Ensure no part of the cargo can shift or become loose during travel.
- **Rear Roller (if applicable):** If your system includes a rear roller, use it to easily slide long items onto

and off the rack, reducing physical effort.



## NO-DRILLING REQUIRED

*The AA-Racks AX302 Series is a roof-rack system which requires no drilling for installation, the rack built for ladder, lumber, Water pipe, Conduit Carrier utilities carrying.*

Image: White van with AA Racks AX302 roof rack carrying a ladder, lumber, and a pipe conduit, demonstrating no-drilling installation.

Video: Promaster Roof Rack 2 Bars 3 Bars 3 Bars with Roller. This video illustrates different bar configurations and the use of a rear roller for loading.

## MAINTENANCE

- **Regular Inspection:** Periodically check all bolts, nuts, and fasteners for tightness. Re-tighten as necessary.
- **Cleanliness:** Clean the aluminum components with mild soap and water. Avoid abrasive cleaners that could damage the powder coat finish.
- **Rubber Strips:** Inspect rubber sealing strips for wear or damage. Replace if necessary to maintain anti-slip properties and reduce noise.
- **Corrosion:** Although made from aluminum and stainless steel, regular cleaning helps prevent any

potential corrosion buildup, especially in harsh weather conditions.

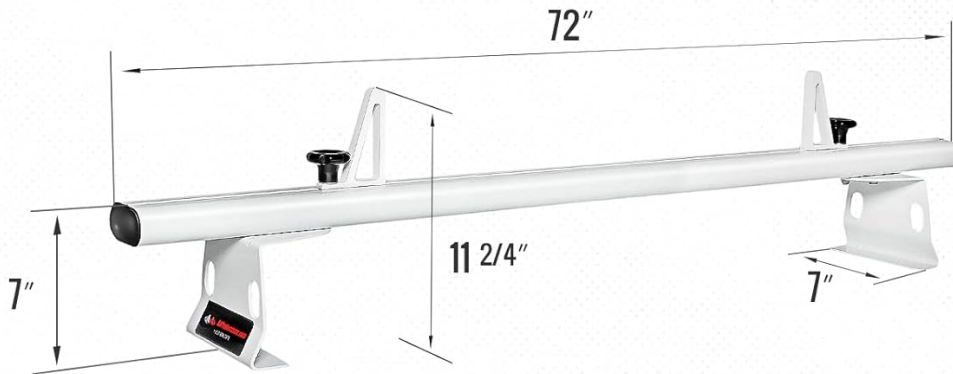
## TROUBLESHOOTING

- **Excessive Wind Noise:** Ensure all rubber sealing strips are properly installed and seated in the crossbar channels. Check that all components are tightly secured.
- **Loose Components:** Re-tighten all bolts and nuts. If a component repeatedly loosens, inspect for stripped threads or damaged parts and replace if needed.
- **Difficulty Loading/Unloading:** Ensure the ladder stoppers are adjusted correctly and not obstructing the cargo path. If equipped with a roller, check for any obstructions or damage.

## SPECIFICATIONS

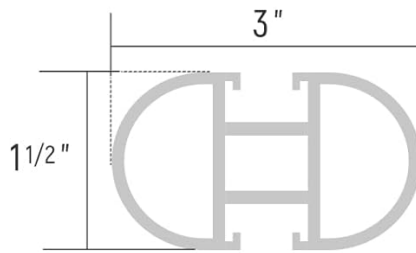
Attribute	Detail
Brand	AA-Racks
Model Number	AX302-72(3)-WHT-PR/TR
Item Dimensions (L x W x H)	72 x 7 x 11 inches
Cross Bar Length	72 inches
Load Capacity	750 lbs
Mounting Type	Roof Mount, Crossbar Mount
Automotive Fit Type	Vehicle Specific Fit
Material	Extruded Aluminum with Stainless Steel Hardware
Item Weight	32 pounds

# APPROXIMATE DIMENSIONS



## CROSS BAR PROFILE CHART

AX302 Series available with diameter of 3 " x 1 1/2 " cross bar.



3 ROOF TOP CROSSBARS  
MAX LOAD | **750** lbs.

Image: Diagram showing the approximate dimensions of the roof rack crossbar (72 inches long, 7 inches high) and a crossbar profile chart with a 3x1.5 inch dimension, indicating a max load of 750 lbs.

## WARRANTY AND SUPPORT

For warranty information, technical support, or replacement parts, please contact AA-Racks customer service directly. Refer to your purchase documentation for specific warranty terms and contact details.

This product is from a small business brand. Your support is appreciated.