



[Manuals.plus](#) /

› [Hon&Guan](#) /

› Hon&Guan 4-Inch Round Soffit Vent Instruction Manual

Hon&Guan BY100

Hon&Guan 4-Inch Round Soffit Vent Instruction Manual

Model: BY100

1. PRODUCT OVERVIEW

The Hon&Guan 4-Inch Round Soffit Vent is designed for efficient exhaust and ventilation in various indoor and outdoor applications. Constructed from high-quality ABS material, it features a built-in fly screen to prevent insect entry and a weather seal to minimize drafts and leaks. This vent is suitable for bathrooms, kitchens, offices, and general home use, offering a simple yet effective solution for air circulation.



Image: Hon&Guan 4-Inch Round Soffit Vent, showing its compact and functional design.

2. KEY FEATURES

- **High-Quality Material:** Made from durable ABS plastic for longevity.
- **Integrated Fly Screen:** Prevents insects and debris from entering your home.
- **Weather Seal:** Designed to prevent unwanted leaks and drafts, enhancing energy efficiency.
- **Detachable Components:** Panel and black sleeves are detachable for easy cleaning and maintenance.
- **Versatile Installation:** Can be wall-mounted or ceiling-mounted.
- **Wide Application:** Ideal for bathroom, kitchen, office, and general room exhaust and ventilation.



Image: Exploded view of the vent, highlighting the built-in fly screen component.

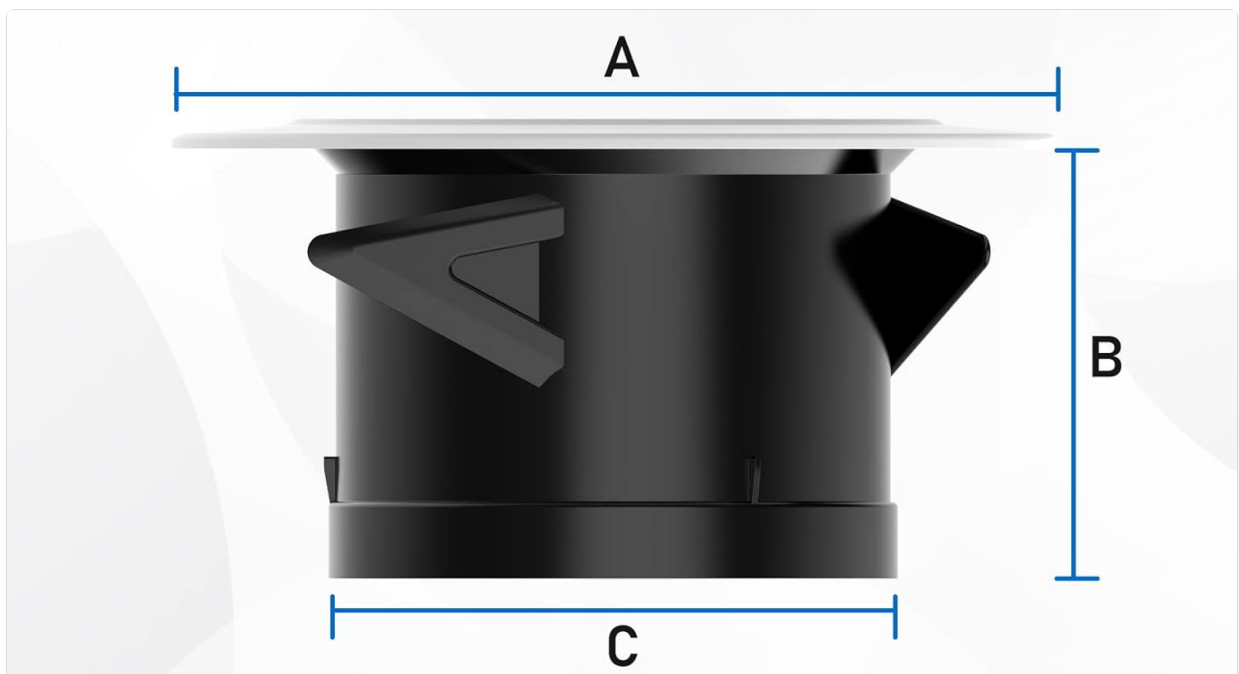


Fine mesh to prevents damage to your home and a weather seal to prevent unwanted leaks and drafts.

Image: Close-up of the vent demonstrating the fine mesh and weather seal for protection against elements and pests.

3. SPECIFICATIONS

Manufacturer	Hon&Guan
Part Number	BY100
Item Weight	3.6 ounces
Product Dimensions	5.66 x 5.66 x 2.95 inches
Size	4 Inch (Diameter 100mm, Sleeve Height 75mm)
Color	White
Material	ABS
Included Components	Mesh, Vent



Size(mm)	A	B	C
75	115	72	68
100	144	75	92
125	164	90	117
150	210	77	145
200	243	84	190

Image: Detailed dimensions and size chart for various vent sizes, including the 4-inch model.

4. INSTALLATION GUIDE

The Hon&Guan 4-Inch Round Soffit Vent is designed for straightforward installation on walls or ceilings. Ensure you have the appropriate tools and safety gear before beginning.

4.1 Tools Required

- Hole saw (4-inch or slightly larger for a snug fit)
- Drill
- Screwdriver
- Measuring tape
- Pencil or marker
- Caulk (optional, for sealing)

4.2 Installation Steps

1. **Prepare the Opening:** Using a 4-inch hole saw, create a circular opening in the desired wall or ceiling location. Ensure the location is clear of electrical wires, pipes, or structural elements.
2. **Insert the Vent Body:** Separate the vent panel from the black sleeve. Insert the black sleeve into the prepared opening. The tabs on the sleeve should help secure it.

3. **Connect Ducting (if applicable):** If connecting to ducting, ensure a secure connection to the black sleeve. Use clamps if necessary to prevent air leaks.
4. **Attach the Vent Panel:** Align the white vent panel with the installed black sleeve and press firmly until it snaps into place. The detachable design allows for easy attachment.
5. **Seal (Optional):** For an extra secure fit and to prevent drafts, apply a bead of caulk around the outer edge of the vent panel where it meets the wall or ceiling.



Image: The vent cover shown connected to ducting, illustrating how it integrates with a ventilation system.



Image: A close-up of the vent being secured to ducting with a clamp, ensuring a tight seal.



Image: The final step of installation, showing the vent cover being screwed into the wall or ceiling for a secure fit.

Your browser does not support the video tag.

Video: An overview of Hon&Guan ventilation equipment and accessories, demonstrating various products and their applications, including installation examples.

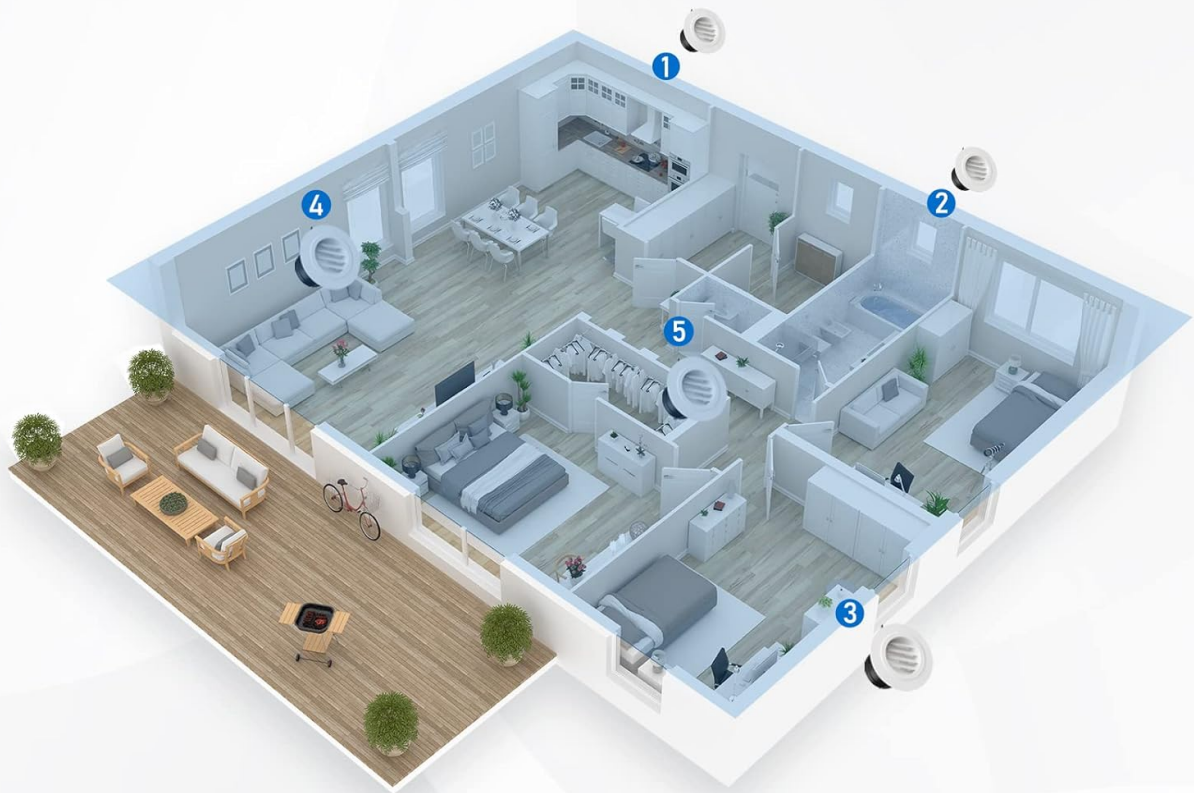
5. OPERATING INSTRUCTIONS

The Hon&Guan 4-Inch Round Soffit Vent operates passively to facilitate air exchange. Once installed, it requires no active controls. The louvered design allows for airflow while the integrated mesh prevents unwanted elements from entering.

- Ensure the vent is not obstructed by furniture, insulation, or other materials to maintain optimal airflow.
- For best results, ensure proper sizing and placement according to your ventilation needs.



Widely use in kitchen,bathroom,office,meeting rooms as exhaust vent,dryer vent.



Available for wall mounted or ceiling mounted

Image: A house floor plan illustrating common areas where the vent can be used, such as kitchens, bathrooms, and offices.



Image: A collage showing the vent installed in various settings including a kitchen, bedroom, flowerhouse, and bathroom, demonstrating its versatility.

6. MAINTENANCE

Regular maintenance ensures optimal performance and longevity of your Hon&Guan Soffit Vent.

1. **Cleaning the Mesh:** Periodically inspect the built-in fly screen for dust, lint, or debris accumulation. The vent panel and black sleeve are detachable for easier access. Gently remove any blockages using a soft brush or vacuum cleaner.
2. **Exterior Cleaning:** Wipe the exterior surface of the vent with a damp cloth and mild detergent as needed to remove dirt or grime. Avoid abrasive cleaners.
3. **Inspection:** Annually check the vent for any signs of damage, cracks, or loose connections. Ensure the weather seal remains intact.

7. TROUBLESHOOTING

If you experience issues with your Hon&Guan Soffit Vent, consider the following common troubleshooting steps:

- **Reduced Airflow:** Check the fly screen for blockages (dust, lint, insects). Ensure the ducting (if connected) is clear and not kinked.
- **Drafts or Leaks:** Verify that the vent panel is securely attached to the sleeve. Inspect the caulk seal (if applied) for

cracks or gaps and reapply if necessary.

- **Unwanted Noise:** Ensure the vent is securely installed and not vibrating against the wall or ceiling. Check for any loose components.

8. SAFETY INFORMATION

Please read and follow these safety guidelines during installation and use:

- Always wear appropriate personal protective equipment (PPE) such as safety glasses and gloves during installation.
- Ensure power is disconnected if working near electrical wiring during installation.
- Do not use this vent for dryer exhaust applications where lint accumulation could pose a fire hazard. The fine mesh is not suitable for lint-heavy exhaust.
- Keep out of reach of children.

9. WARRANTY AND SUPPORT

For any questions, concerns, or support regarding your Hon&Guan 4-Inch Round Soffit Vent, please refer to the contact information provided with your purchase or visit the official Hon&Guan website. Specific warranty details may vary; please retain your proof of purchase for any warranty claims.