



[Manuals.plus](#) /

› [Bush Home](#) /

› Bush Home Refinery 62W Industrial Desk Instruction Manual

**Bush Home RFD162RG-03**

# Bush Home Refinery 62W Industrial Desk Instruction Manual

## 1. PRODUCT OVERVIEW

---

The Bush Home Refinery 62W Industrial Desk (Model: RFD162RG-03) is designed for home office, loft, or creative spaces. It features a durable work surface and an industrial steel frame with exposed bolts. The desk is finished in Rustic Gray and is built to meet ANSI/SOHO quality standards for safety and performance.



Figure 1: Assembled view of the Bush Home Refinery 62W Industrial Desk, showcasing its rustic gray finish and industrial steel frame.

## 2. SAFETY INFORMATION

---

**Warning: This desk requires assembly. Exercise caution when handling exposed bolts during assembly to prevent injury. Always ensure the desk is properly assembled and stable before use. Do not exceed the maximum weight capacity of 200 pounds (90.7 kg).**

- Keep all small parts and packaging materials away from children.
- Assemble the desk on a soft, clean surface to prevent scratches.
- Ensure all connections are tightened securely before placing items on the desk.
- Do not stand or sit on the desk.

## 3. PACKAGE CONTENTS

---

Verify that all components are present before beginning assembly. Refer to the detailed parts list included in your product packaging for specific item identification.

- Desk Top (Engineered Wood, Rustic Gray finish)
- Industrial Steel Frame Components

- Assembly Hardware (bolts, screws, etc.)
- Assembly Instructions (separate document)

## 4. SETUP AND ASSEMBLY

---

Assembly of the Bush Home Refinery 62W Industrial Desk is required. It is recommended that two people participate in the assembly process for ease and safety.

### 4.1 General Assembly Steps

1. Unpack all components and verify against the parts list.
2. Lay out all parts on a clean, soft surface to prevent damage.
3. Attach the industrial steel frame components using the provided hardware. Ensure all bolts are finger-tightened initially.
4. Secure the desk top to the assembled frame.
5. Once all components are in place, fully tighten all bolts and screws. Do not overtighten.
6. Carefully move the assembled desk to its desired location.

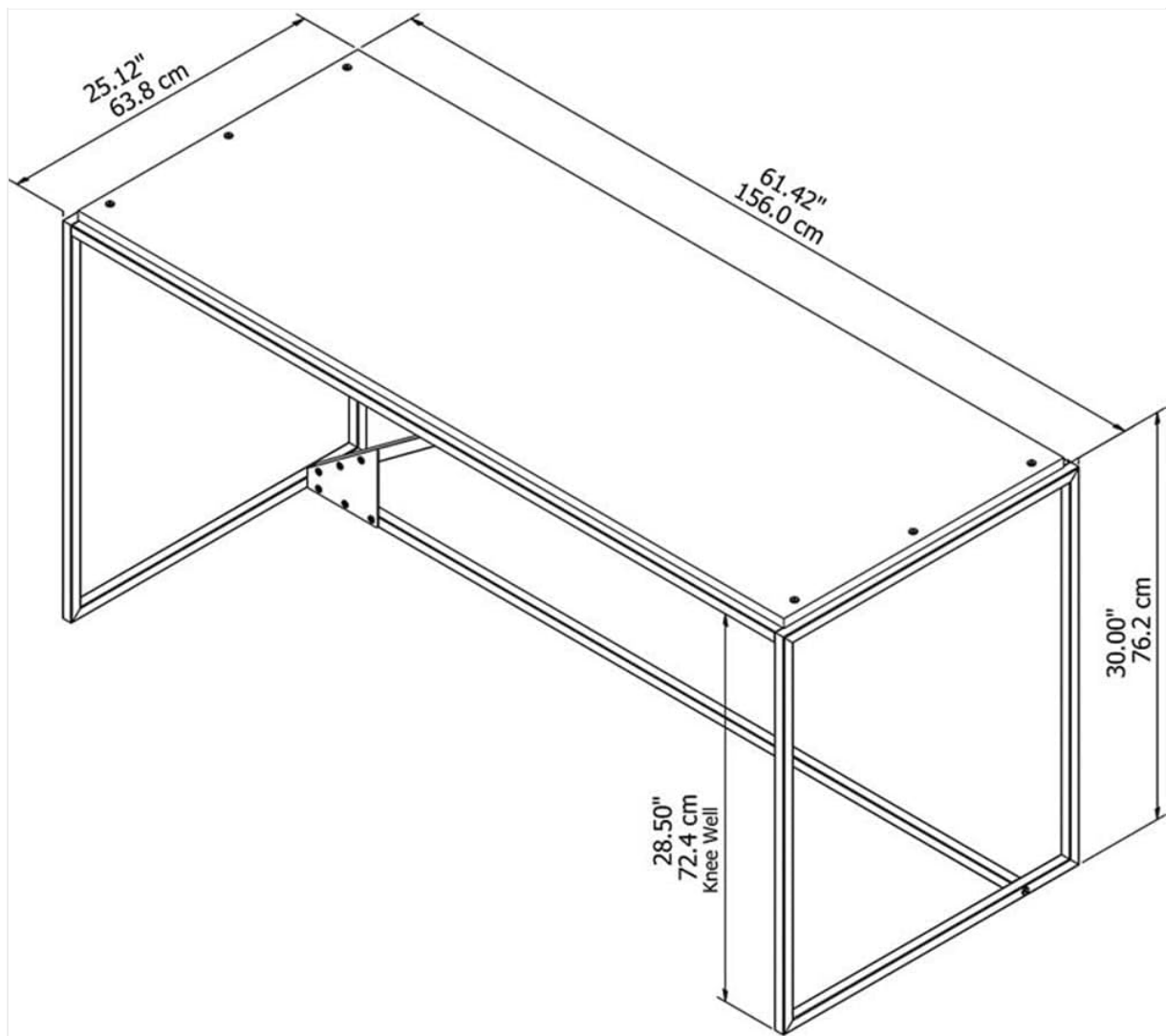


Figure 2: Technical diagram illustrating the overall dimensions of the desk: 61.42 inches (156.0 cm) wide, 25.12 inches (63.8 cm) deep, and 30.00 inches (76.2 cm) high, with a knee well height of 28.50 inches (72.4 cm).



Figure 3: A detailed view of the desk's industrial steel frame, highlighting the exposed bolts at a structural joint, which contribute to its robust design.

## 4.2 Assembly Video (Refinery Collection Overview)

Your browser does not support the video tag.

Video 1: This video provides an overview of the Bush Furniture Refinery Collection, showcasing various furniture pieces and their design elements. While not specific to the 62W desk assembly, it offers insight into the collection's aesthetic and construction.

## 5. OPERATING INSTRUCTIONS

---

The Bush Home Refinery 62W Industrial Desk is designed for general office and workspace use.

- Place the desk on a level surface to ensure stability.
- Distribute weight evenly across the desk surface. Do not exceed the 200-pound (90.7 kg) weight capacity.
- Avoid placing hot items directly on the surface without protective padding.
- The desk can accommodate a Refinery Return (sold separately) on either the left or right side to create an L-shaped configuration.

## 6. MAINTENANCE

---

Proper care will extend the life and appearance of your desk.

- Clean the desk surface with a soft, damp cloth. Avoid abrasive cleaners or harsh chemicals.
- Wipe spills immediately to prevent staining or damage to the finish.
- Periodically check and tighten all hardware connections to ensure stability.
- Avoid prolonged exposure to direct sunlight or extreme temperature changes.

## 7. TROUBLESHOOTING

---

If you encounter issues with your desk, consider the following common solutions:

- **Desk is wobbly:** Ensure all assembly bolts and screws are fully tightened. Check that the desk is on a level surface.
- **Scratches on surface:** Minor scratches may be touched up with a furniture repair pen matching the Rustic Gray finish. Prevent future scratches by using desk pads or coasters.
- **Missing parts:** Refer to the parts list in your original assembly instructions. Contact Bush Home customer support for assistance with missing components.

## 8. SPECIFICATIONS

---

Feature	Detail
Brand	Bush Home
Model Number	RFD162RG-03
Model Name	Refinery
Product Dimensions (D x W x H)	25.12" x 61.42" x 30" (63.8 cm x 156.0 cm x 76.2 cm)
Item Weight	57 Pounds (25.85 kg)
Color	Rustic Gray
Style	Industrial
Top Material Type	Engineered Wood
Frame Material Type	Alloy Steel
Maximum Weight Capacity	200 Pounds (90.7 kg)
Required Assembly	Yes
Recommended Number of People for Assembly	2
Special Feature	Scratch Resistant
UPC	042976074203

## 9. WARRANTY AND SUPPORT

---

The Bush Home Refinery 62W Industrial Desk is backed by the Bush Home 1 Year Manufacturer's Warranty. This warranty covers defects in materials and workmanship under normal use.

### **9.1 How to Obtain Warranty Service**

For warranty claims or technical support, please contact Bush Home customer service directly. Have your model number (RFD162RG-03) and proof of purchase available when contacting support.

- **Manufacturer:** Bush Industries
- **Warranty Type:** Limited Full Warranty
- **Warranty Period:** 1 Year