



[Manuals.plus](#) /

> [GROHE](#) /

> GROHE 39426000 Semicolonna Ceramic Pedestal Installation Manual

GROHE 39426000

GROHE 39426000 Semicolonna Ceramic Pedestal Installation Manual

Model: 39426000 | Brand: GROHE

INTRODUCTION

This manual provides essential information for the safe and correct installation, operation, and maintenance of your GROHE 39426000 Semicolonna ceramic pedestal. Please read these instructions carefully before beginning installation and retain them for future reference. The GROHE Semicolonna is designed to complement compatible GROHE Bau Ceramic washbasins, providing aesthetic support and concealing plumbing connections.

SAFETY INFORMATION

Always observe general safety precautions during installation and maintenance. Incorrect installation can lead to water damage or injury. If you are unsure about any part of the installation process, consult a qualified plumber. Ensure all water supplies are turned off before commencing work. Wear appropriate personal protective equipment (PPE) such as safety glasses and gloves.

PACKAGE CONTENTS

Before starting, verify that all components are present and undamaged:

- GROHE 39426000 Semicolonna Ceramic Pedestal (1 unit)
- Fixing set for installation (1 set)

Note: The washbasin and faucet are sold separately.

SETUP AND INSTALLATION

The GROHE 39426000 Semicolonna is designed to be wall-mounted beneath a compatible wall-hung washbasin. It provides support and conceals the plumbing connections for a clean aesthetic. This semi-pedestal is suitable for all GROHE Bau Ceramic washbasins, with the exception of model 39 424 000.

Required Tools (Not Supplied):

- Drill

- Drill bits suitable for wall material
- Measuring tape
- Level
- Pencil
- Spanner/Wrench
- Sealant (silicone)

Installation Steps:

1. **Prepare the Wall:** Ensure the wall where the washbasin and semi-pedestal will be mounted is structurally sound and clean.
2. **Mount the Washbasin:** Install your compatible GROHE Bau Ceramic washbasin according to its specific instructions. Ensure it is securely fixed to the wall and level. The semi-pedestal will be positioned directly beneath it.
3. **Measure and Mark:** Position the semi-pedestal temporarily under the installed washbasin. Use a level to ensure it is plumb. Mark the drilling points on the wall for the semi-pedestal's fixing set. Refer to the technical diagram for recommended dimensions and clearances.
4. **Drill Holes:** Drill holes at the marked positions using an appropriate drill bit for your wall type. Insert wall plugs if required by your fixing set.
5. **Secure the Semi-Pedestal:** Attach the semi-pedestal to the wall using the provided fixing set. Tighten the fixings securely, but do not overtighten, as this can damage the ceramic.
6. **Connect Plumbing:** Complete the plumbing connections for the washbasin, ensuring all pipes are correctly routed and sealed within the semi-pedestal's cavity.
7. **Seal Edges:** Apply a bead of silicone sealant along the top edge where the semi-pedestal meets the washbasin, and along the back edge where it meets the wall, to prevent water ingress and provide a neat finish.

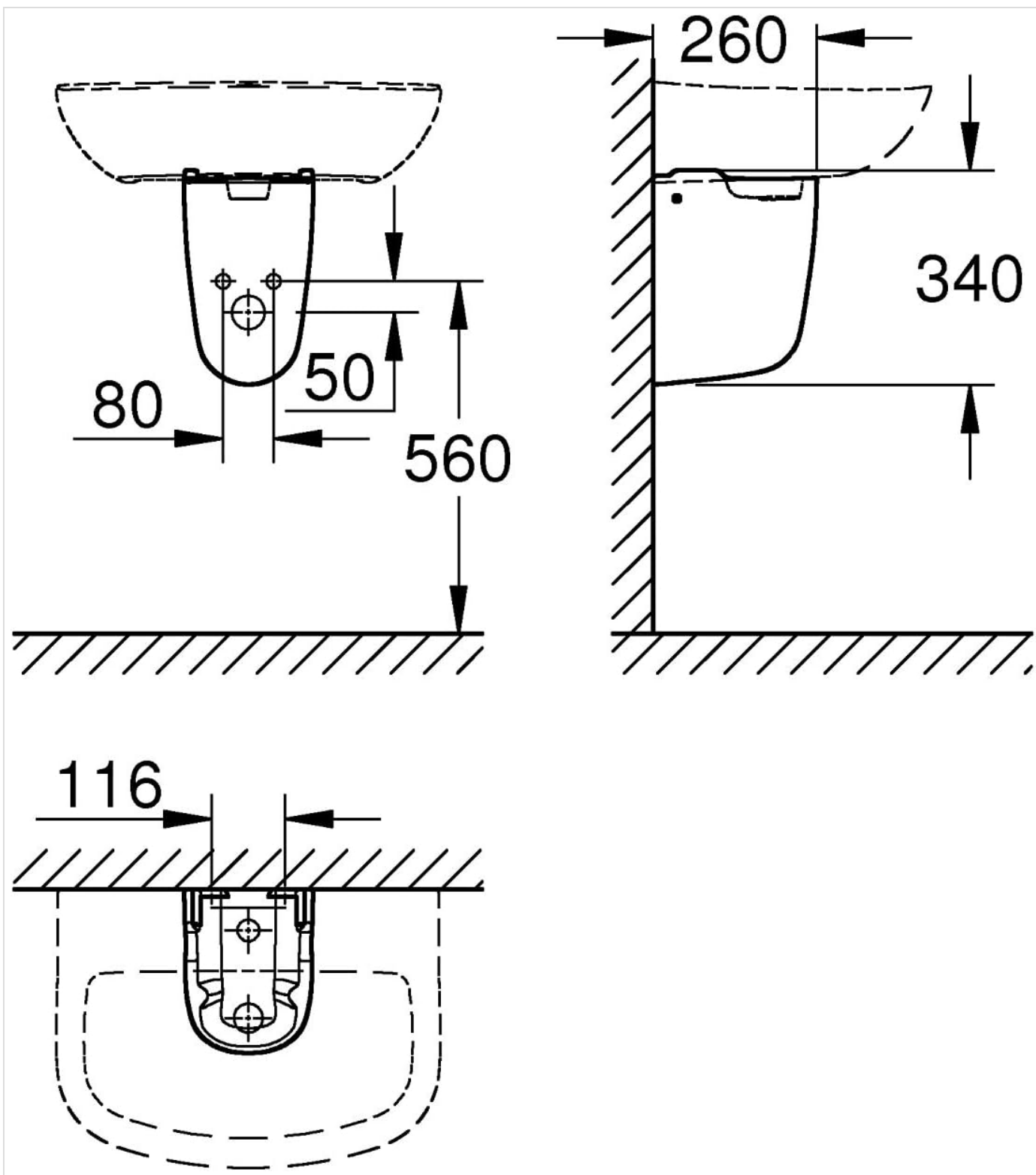


Figure 1: Technical diagram illustrating the dimensions and recommended installation measurements for the GROHE 39426000 Semicolonna. Key measurements include 560mm from the floor to the basin underside, 80mm width for the pedestal base, and 260mm depth from the wall.



Figure 2: An example of the GROHE 39426000 Semicolonna ceramic pedestal installed in a contemporary bathroom setting, supporting a wall-hung washbasin and concealing the plumbing.

OPERATING INSTRUCTIONS

The GROHE 39426000 Semicolonna is a static fixture designed to support a washbasin and conceal its plumbing. No specific operational steps are required for the semi-pedestal itself. Ensure that the washbasin is used as intended, avoiding excessive weight or impact on the ceramic components.

MAINTENANCE AND CLEANING

To maintain the appearance and longevity of your GROHE Semicolonna, follow these cleaning guidelines:

- **Regular Cleaning:** Clean the ceramic surface regularly with a soft cloth and a mild, non-abrasive bathroom cleaner.
- **Avoid Harsh Chemicals:** Do not use abrasive cleaners, scouring pads, strong acids, or alkaline solutions, as these can damage the ceramic glaze.
- **Rinse Thoroughly:** After cleaning, rinse the surface thoroughly with clean water and dry with a soft cloth to prevent water spots.
- **Check Sealant:** Periodically inspect the silicone sealant around the pedestal and basin for any signs of wear or degradation. Reapply if necessary to prevent water leaks.

TROUBLESHOOTING

This section addresses common issues you might encounter with your semi-pedestal.

Problem	Possible Cause	Solution
Semi-pedestal feels loose or wobbly.	Fixing bolts are not sufficiently tightened or wall plugs are inadequate.	Carefully re-tighten the fixing bolts. If the problem persists, the wall plugs or fixings may need to be replaced with more suitable ones for your wall type. Consult a professional if necessary.
Water stains or discoloration on ceramic.	Hard water deposits or improper cleaning.	Clean regularly with a mild, non-abrasive cleaner. For stubborn hard water stains, use a ceramic-safe descaler and rinse thoroughly.
Water leaking from behind the pedestal.	Compromised plumbing connections or sealant.	Immediately turn off the water supply. Inspect all plumbing connections for leaks and tighten as needed. Check the silicone sealant around the pedestal and basin; reapply if it is cracked or degraded. If unsure, contact a qualified plumber.

SPECIFICATIONS

Model Number:	39426000
Brand:	GROHE
Material:	Vitreous China
Color:	White
Dimensions (L x W x H):	34.5 x 22 x 28.5 cm
Weight:	6.22 kg
Installation Method:	Wall-mounted (under washbasin)
Compatibility:	Suitable for all GROHE Bau Ceramic washbasins except model 39 424 000.

WARRANTY AND SUPPORT

For information regarding the product warranty, please refer to the documentation provided with your purchase or visit the official GROHE website. For technical support, spare parts, or any other inquiries, please contact GROHE customer service directly. Contact details can typically be found on the GROHE website or in your product packaging.