

## LogiLink BP0049

# LogiLink BP0049 Universal Media Player Mount Instruction Manual

Model: BP0049

---

## 1. INTRODUCTION

---

The LogiLink BP0049 Universal Media Player Mount provides a secure and versatile solution for mounting various media devices. Its adjustable design accommodates a range of media players, hard drives, cables, and satellite boxes, offering an organized and space-saving setup. This manual details the installation, operation, and maintenance of your LogiLink BP0049 mount.



Image 1.1: Front view of the LogiLink BP0049 Universal Media Player Mount.

## 2. SAFETY INFORMATION

- **Weight Limit:** Do not exceed the maximum load capacity of 1 kg (2.2 lbs). Overloading can cause damage to the mount and device, and may result in injury.
- **Secure Installation:** Ensure the mount is securely fastened to a sturdy wall surface using appropriate hardware. Improper installation can lead to the mount detaching.
- **Device Compatibility:** Verify that your device's dimensions and weight are within the mount's specifications before installation.
- **Cable Management:** Route cables safely to prevent tripping hazards or damage to the cables and devices.
- **Children and Pets:** Keep small parts and packaging materials away from children and pets to prevent choking hazards.

## 3. PACKAGE CONTENTS

Please check that all components are present before beginning installation. If any parts are missing or damaged, contact your retailer.

- 1x LogiLink BP0049 Universal Media Player Mount
- Mounting Hardware (e.g., screws, wall plugs)
- 1x Elastic Cord (for securing device)



Image 3.1: The LogiLink BP0049 mount shown with its retail packaging.

## 4. SETUP AND INSTALLATION

Follow these steps for proper installation of your LogiLink BP0049 mount.

1. **Choose Mounting Location:** Select a suitable wall location that is sturdy enough to support the mount and your device. Consider proximity to power outlets and other connections.
2. **Mark Drilling Points:** Hold the mount against the wall at the desired height and use a pencil to mark the four mounting holes. Ensure the mount is level.

3. **Drill Holes:** Using an appropriate drill bit for your wall type, drill holes at the marked points.
4. **Insert Wall Plugs (if necessary):** If drilling into drywall or masonry, insert the provided wall plugs into the drilled holes.
5. **Secure the Mount:** Align the mount with the drilled holes and secure it to the wall using the provided screws. Tighten the screws firmly but do not overtighten.
6. **Adjust Depth:** The mount features adjustable depth. Loosen the two thumbscrews located on the underside of the mount. Adjust the front support to match the depth of your device (internal dimensions 25-39 mm). Tighten the thumbscrews to secure the desired depth.
7. **Place Device:** Carefully place your media player, hard drive, or other compatible device onto the mount.
8. **Secure Device:** Use the elastic cord to firmly secure your device in place, preventing accidental dislodgement.

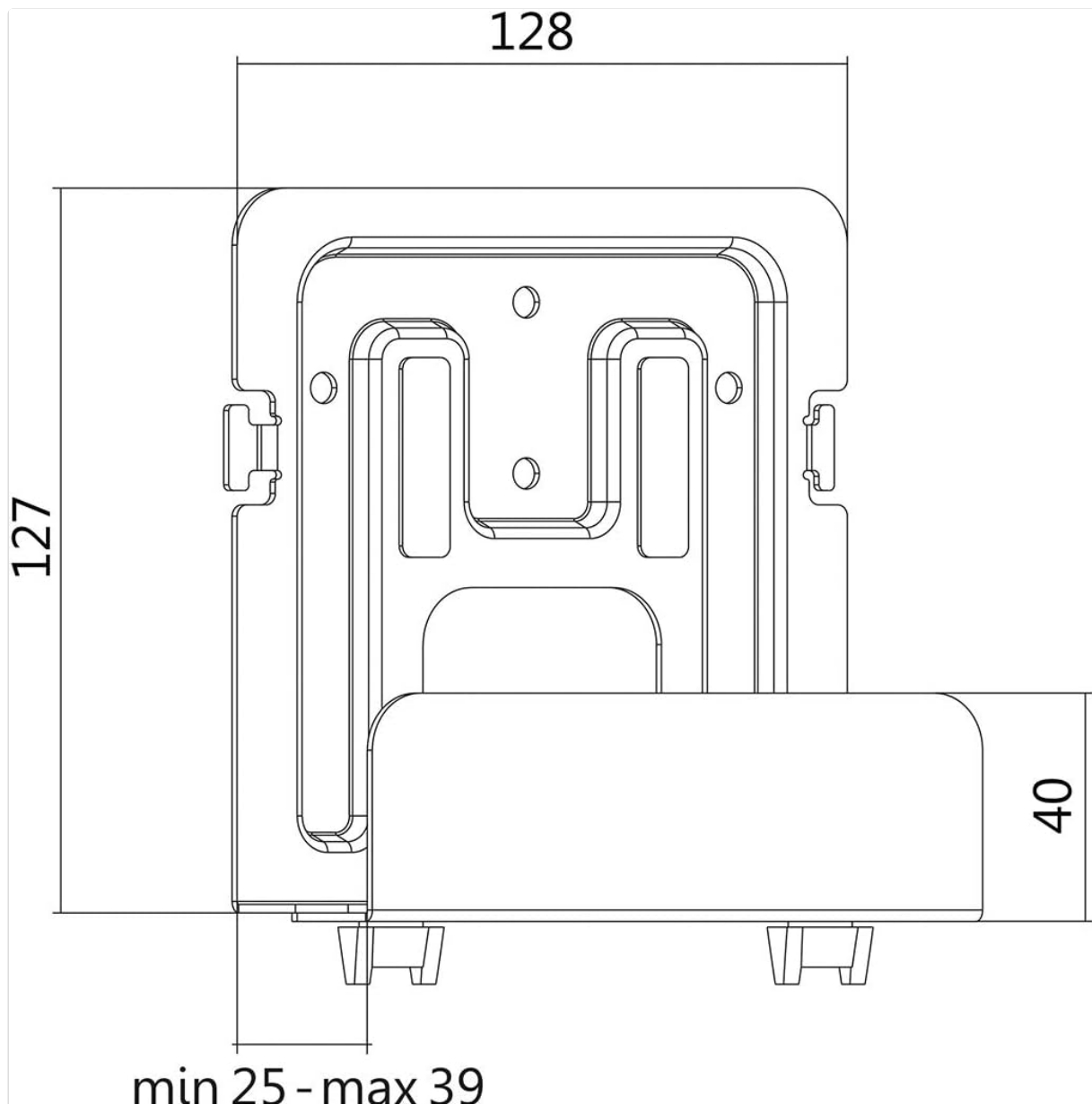


Image 4.1: Dimensional drawing illustrating the adjustable depth feature (25-39mm).

## 5. OPERATING INSTRUCTIONS

The LogiLink BP0049 mount is designed for straightforward use once installed.

- **Device Placement:** Ensure your device is placed centrally on the mount for optimal balance and stability.
- **Adjusting Depth:** If you need to change the device on the mount, loosen the two thumbscrews underneath, adjust the front support to the new device's depth, and retighten the thumbscrews.
- **Securing with Elastic Cord:** Always use the provided elastic cord to secure your device. This prevents it from sliding or falling, especially in environments with vibrations or accidental bumps.
- **Access to Ports:** The open design of the mount allows easy access to switches, output jacks, and cables on both sides of the mounted device.

## 6. MAINTENANCE

---

To ensure the longevity and proper function of your mount, follow these simple maintenance guidelines:

- **Cleaning:** Wipe the mount with a soft, dry cloth. Avoid abrasive cleaners or solvents that could damage the finish.
- **Periodic Checks:** Periodically check all mounting screws to ensure they remain tight. Also, inspect the elastic cord for any signs of wear or damage.
- **Load Verification:** Reconfirm that the total weight of the mounted device does not exceed the maximum load capacity.

## 7. TROUBLESHOOTING

---

If you encounter issues with your LogiLink BP0049 mount, refer to the following common problems and solutions:

- **Mount feels loose after installation:**  
**Solution:** Ensure all mounting screws are tightened securely. If the wall material is soft, consider using stronger wall anchors.
- **Device does not fit on the mount:**  
**Solution:** Check the internal dimensions of your device against the mount's adjustable depth range (25-39 mm). Ensure the thumbscrews are loosened before attempting to adjust the depth.
- **Device is not stable on the mount:**  
**Solution:** Verify that the elastic cord is properly secured around the device. Ensure the device's weight does not exceed 1 kg.

## 8. SPECIFICATIONS

---

<b>Model Number</b>	BP0049
<b>Material</b>	Alloy Steel
<b>Color</b>	Black
<b>Adjustable Depth (Internal)</b>	25 - 39 mm
<b>Adjustable Depth (External)</b>	32 - 46 mm
<b>Maximum Load Capacity</b>	1 kg (2.2 lbs)
<b>Dimensions (L x W x H)</b>	12.8 x 14 x 4.6 cm

<b>Mounting Type</b>	Wall Mount (4 holes)
<b>Compatible Devices</b>	Media Players, Hard Drives, Satellite Boxes, Cables

## 9. WARRANTY AND SUPPORT

---

LogiLink products are designed for reliability and performance.

- **Spare Parts Availability:** Spare parts for this product are available for 1 year from the date of purchase.
- **Technical Support:** For further assistance or technical inquiries, please refer to the LogiLink official website or contact your local retailer.