

Manuals.plus /

› WOODBRIDGE /

› WOODBRIDGE T-018 Dual Flush Elongated One-Piece Toilet User Manual

WOODBRIDGE T-0018



WOODBRIDGE®

WOODBRIDGE T-018 Dual Flush Elongated One-Piece Toilet

USER MANUAL

1. Introduction

This user manual provides essential information for the proper installation, operation, maintenance, and troubleshooting of your WOODBRIDGE T-018 Dual Flush Elongated One-Piece Toilet. Please read this manual thoroughly before installation and use to ensure safe and efficient operation of the product.

The WOODBRIDGE T-018 toilet features a modern, one-piece design with a dual flush system for water conservation and a comfort height for ease of use. Its skirted trap way contributes to an easy-to-clean surface.

2. Safety Information

- Always wear appropriate personal protective equipment (PPE) such as gloves and eye protection during installation and maintenance.
- Ensure the water supply is turned off before beginning any installation or maintenance procedures.
- The toilet is heavy. Exercise caution and seek assistance when lifting or moving the unit to prevent injury.
- Do not use abrasive cleaners or harsh chemicals on the toilet's surface, as this may damage the finish.
- Keep small children away from the toilet during installation and ensure the lid is closed when not in use.

3. Product Components

The WOODBRIDGE T-018 toilet package includes the following main components:

- One-Piece Toilet Unit (bowl and tank integrated)
- Pre-installed Soft-Closing Toilet Seat
- High-Quality Wax Ring

- Floor Bolts
- Special Hand Wrench Tool for Installation

Inspect all components for damage before installation. If any parts are missing or damaged, contact customer support immediately.



Figure 3.1: Front view of the WOODBRIDGE T-018 One-Piece Toilet, showcasing its sleek, modern design.

4. Installation

For detailed installation instructions, please refer to the official Installation Manual (PDF) provided with your product or available online. A link to the PDF is provided in the support section of this manual.

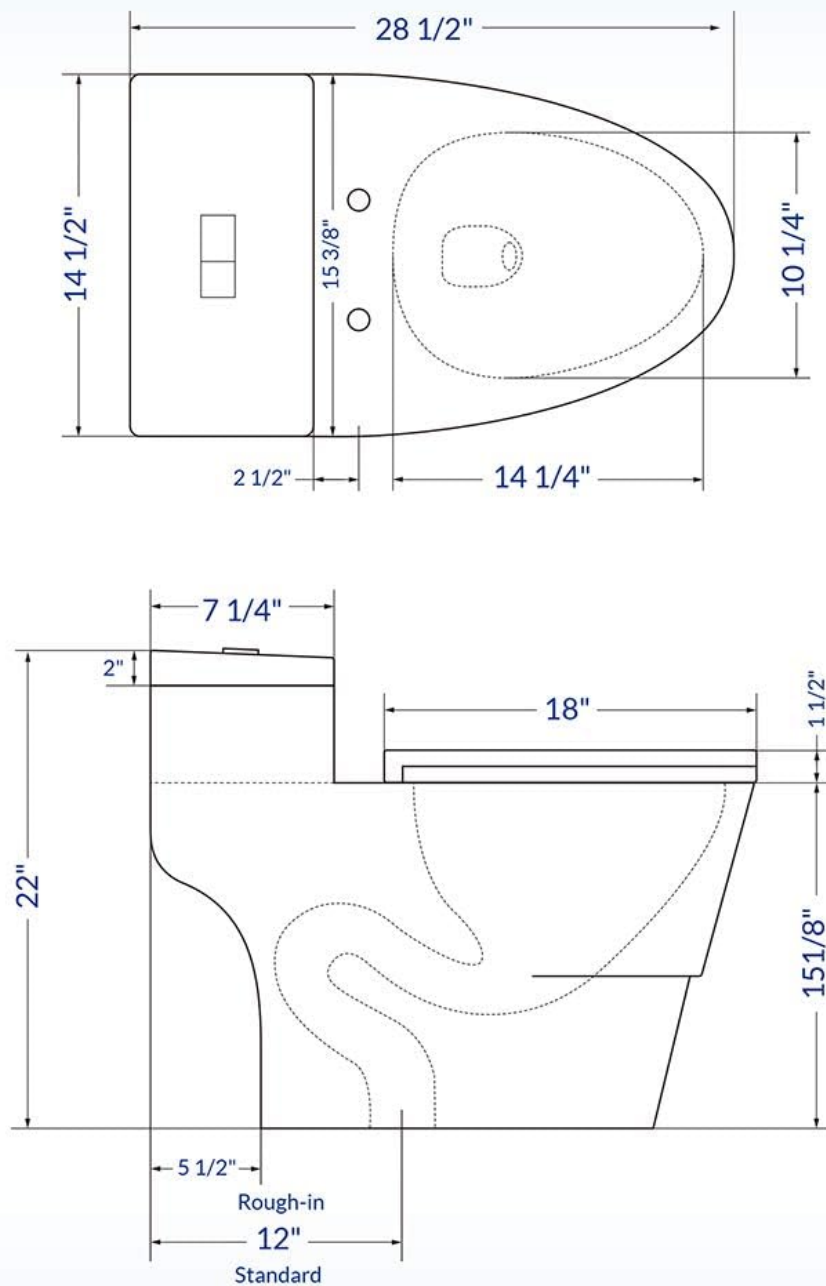
4.1 Pre-Installation Checks

- Ensure your rough-in measurement is compatible (standard 12-inch rough-in).
- Confirm the water supply line is turned off at the main valve.

- Clear the installation area of any debris or old fixtures.

4.2 Basic Installation Steps (Summary)

1. Install the floor bolts onto the flange according to the provided template.
2. Place the wax ring around the toilet's waste outlet.
3. Carefully lower the toilet unit onto the floor bolts, ensuring proper alignment. Due to the one-piece design and weight, it is recommended to have assistance for this step.
4. Tighten the nuts onto the floor bolts using the special hand wrench tool provided. The skirted design requires this specific tool for access. Do not overtighten.
5. Connect the water supply line to the toilet's fill valve.
6. Turn on the water supply and check for leaks.

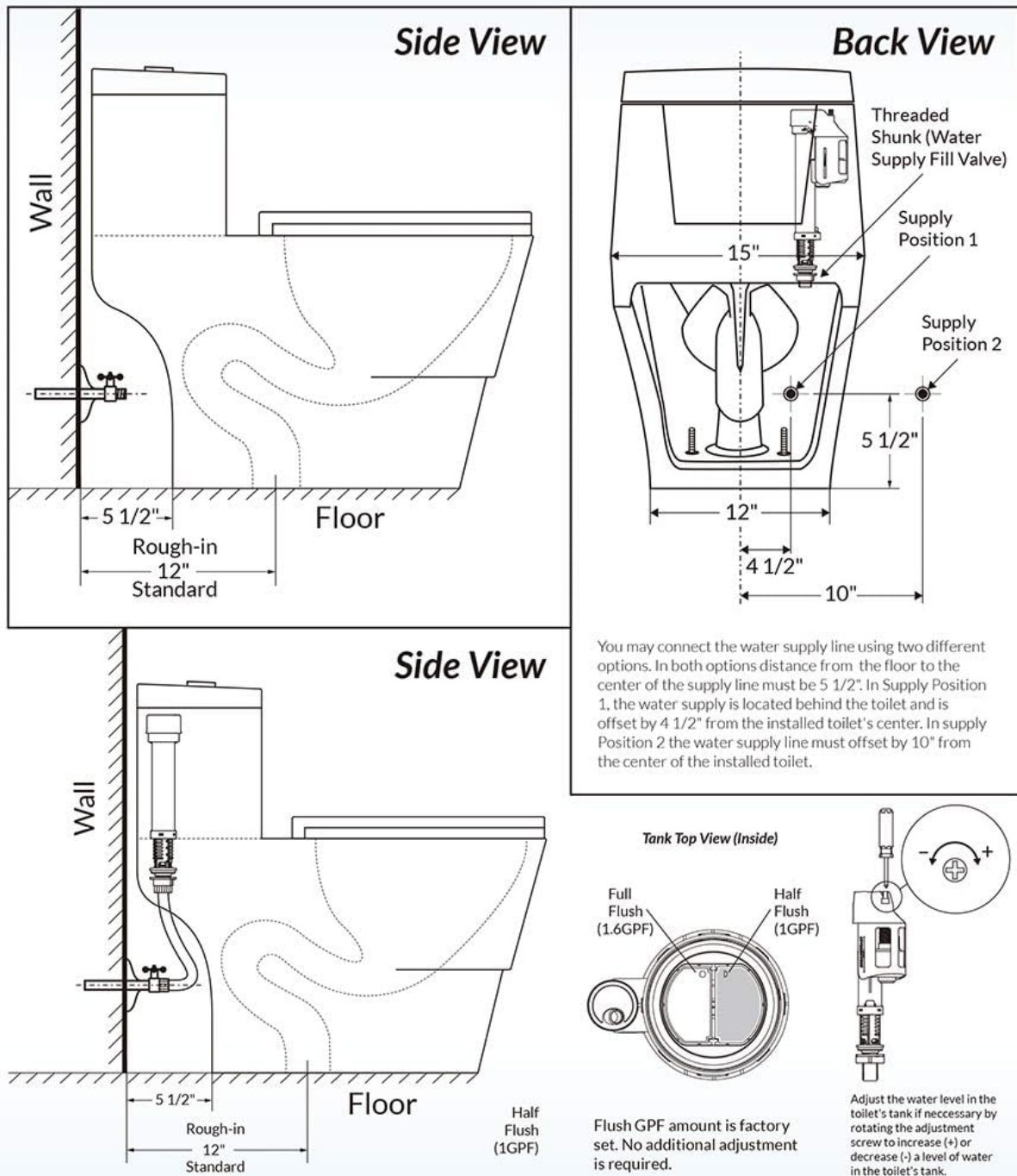


IMPORTANT INFORMATION

- Measurements are +3/8" and subject to change without notice
- Specifications & Configurations are subject to change without notice
- Pls measure toilet on-site before installation
- Please note that installer(s) must be certify or warranty will be voided.
- Measurements herein supersede all others published prior to publication date shown below

www.woodbridgebath.com

Figure 4.1: Top and side dimensions of the toilet, crucial for planning installation and ensuring proper fit.



IMPORTANT INFORMATION

- Measurements are +3/8" and subject to change without notice
- Specifications & Configurations are subject to change without notice
- Pls measure toilet on-site before installation
- Please note that installer(s) must be certify or warranty will be voided.
- Measurements herein supersede all others published prior to publication date shown below

www.woodbridgebath.com

Figure 4.2: Detailed side and back views, illustrating the internal components and water supply connection points.

5. Operation

5.1 Dual Flush System

The WOODBRIDGE T-018 toilet is equipped with a dual flush system, allowing you to choose between a partial flush for liquid waste and a full flush for solid waste, promoting water conservation.

- **Partial Flush (1.0 GPF):** Press the smaller button on the top of the tank for a reduced water flush.
- **Full Flush (1.6 GPF):** Press the larger button on the top of the tank for a full water flush.



Figure 5.1: View inside the toilet tank, showing the fill valve and the dual flush valve for efficient water usage.

5.2 Soft-Closing Seat

The toilet seat is designed with a soft-closing mechanism to prevent slamming and reduce noise. Simply push the seat or lid down gently, and it will close slowly on its own.

6. Maintenance and Cleaning

Regular cleaning and maintenance will ensure the longevity and optimal performance of your toilet.

6.1 Cleaning the Toilet

- The skirted trap way design of the T-018 toilet minimizes corners and grooves, making it significantly easier to clean compared to traditional toilets.
- Use a mild, non-abrasive toilet bowl cleaner and a soft brush or cloth.
- For exterior surfaces, wipe with a damp cloth and mild soap, then rinse and dry thoroughly.
- Avoid using abrasive pads, powders, or cleaners containing harsh chemicals like bleach, as these can damage the porcelain finish.

6.2 Maintaining the Soft-Closing Seat

The soft-closing seat features durable stainless steel hinges. To clean or tighten the seat:

- To remove the seat for thorough cleaning, locate the quick-release buttons or tabs near the hinges and press them to detach the seat.
- Clean the seat and hinges with mild soap and water.
- If the seat feels loose, ensure the hinge mounting bolts are securely tightened.

7. Troubleshooting

This section addresses common issues you might encounter with your WOODBRIDGE T-018 toilet.

Problem	Possible Cause	Solution
Weak or Incomplete Flush	Low water level in tank, partially closed water supply valve, clogged rim jets or trap way.	Check water level in tank (should be at waterline mark). Ensure water supply valve is fully open. Clean rim jets under the bowl rim. Clear any obstructions in the trap way.
Toilet Runs Continuously	Flapper/flush valve not sealing properly, fill valve malfunction, chain too long/short.	Adjust the flapper chain length. Inspect the flapper/flush valve for debris or wear and replace if necessary. Check the fill valve for proper operation.
Leaks at Base of Toilet	Loose floor bolts, faulty wax ring, cracked porcelain.	Gently tighten floor bolts (do not overtighten). If leak persists, the wax ring may need replacement. Inspect for cracks in the porcelain.
Difficulty Cleaning Bowl	Mineral buildup, improper cleaning tools/agents.	Use a non-abrasive cleaner specifically designed for toilet bowls. For stubborn stains, consider a pumice stone or specialized mineral deposit remover. Ensure regular cleaning.

If you are unable to resolve an issue using the solutions above, please contact WOODBRIDGE customer support or a qualified plumber.

8. Specifications

Key specifications for the WOODBRIDGE T-018 Dual Flush Elongated One-Piece Toilet:

Feature	Detail
Model Number	T-0018
Color	Cotton White
Material	Porcelain (Toilet), Plastic (Seat)
Installation Type	Floor Mounted
Shape	Elongated Oval
Item Weight	103.8 pounds
Product Dimensions	28.5 x 14.5 x 27 inches (L x W x H)
Flush System	Dual Flush (1.0 GPF / 1.6 GPF Siphon Flushing)
Certification	UPC, CSA, WaterSense Certified (meets ANSI Z124.1 and ANSI A112-19.7)
UPC	680147249946

9. Warranty Information

The WOODBRIDGE T-018 Dual Flush Elongated One-Piece Toilet comes with a **1-Year Limited Warranty**. This warranty covers defects in material and workmanship from the date of purchase. Please retain your proof of purchase for warranty claims.

For full warranty terms and conditions, please refer to the documentation included with your product or contact WOODBRIDGE customer support.

10. Customer Support

For any questions, assistance, or to report issues with your WOODBRIDGE T-018 toilet, please contact our customer support team. You can find more information and contact details on the official WOODBRIDGE store page:

Visit the WOODBRIDGE Store on Amazon

Additionally, you can access the official User Guide (PDF) and Installation Manual (PDF) for further details:

- User Guide (PDF)
- Installation Manual (PDF)

