

[Manuals.plus](#) /

> [Bosch](#) /

> Bosch DWB67FM50 Series 4 T-shaped Wall-Mounted Hood 60 cm User Manual

Bosch DWB67FM50

Bosch DWB67FM50 Series 4 T-shaped Wall-Mounted Hood 60 cm User Manual

Model: DWB67FM50 | Brand: Bosch

INTRODUCTION

The Bosch DWB67FM50 Series 4 T-shaped Wall-Mounted Hood is designed to provide efficient and quiet air extraction for your kitchen. This 60 cm stainless steel hood features intuitive touch controls and bright LED lighting, ensuring a comfortable cooking environment by effectively removing steam and odors. Its powerful performance is complemented by a design that minimizes noise, allowing for a more pleasant kitchen atmosphere.

SAFETY INFORMATION

Please read these safety instructions carefully before installing or using the appliance. Keep this manual for future reference.

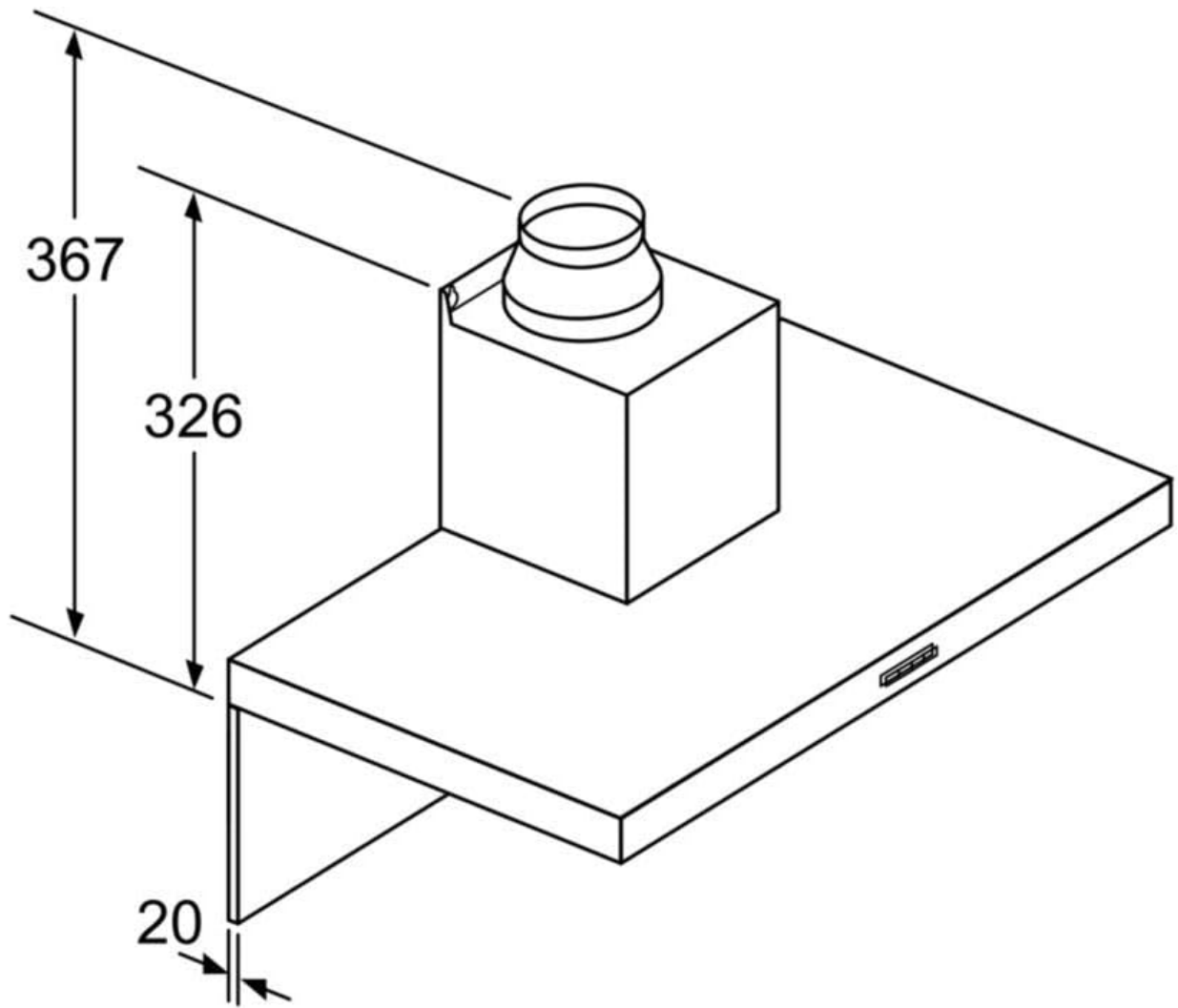
- **Electrical Safety:** Ensure the appliance is correctly earthed. Do not operate if the power cord is damaged. Disconnect from power before cleaning or maintenance.
- **Ventilation:** Ensure adequate ventilation in the room when the hood is used simultaneously with appliances burning gas or other fuels.
- **Cleaning:** Regularly clean the grease filters to prevent fire hazards. Do not flambé under the hood.
- **Children:** This appliance can be used by children aged 8 years and above and persons with reduced physical, sensory or mental capabilities or lack of experience and knowledge if they have been given supervision or instruction.
- **Installation:** Installation must be carried out by a qualified technician in accordance with local regulations.

SETUP AND INSTALLATION

The Bosch DWB67FM50 is a wall-mounted hood designed for either exhaust air operation or recirculation mode. Ensure the mounting surface is strong enough to support the appliance.

Dimensions and Mounting

Refer to the diagrams below for precise dimensions and mounting instructions. Proper clearance above the cooking surface is crucial for optimal performance and safety.



Bei Verwendung einer Rückwand muss das Design des Gerätes beachtet werden.

Maße in mm

Figure 1: Side view dimensions of the hood, illustrating overall height and depth.

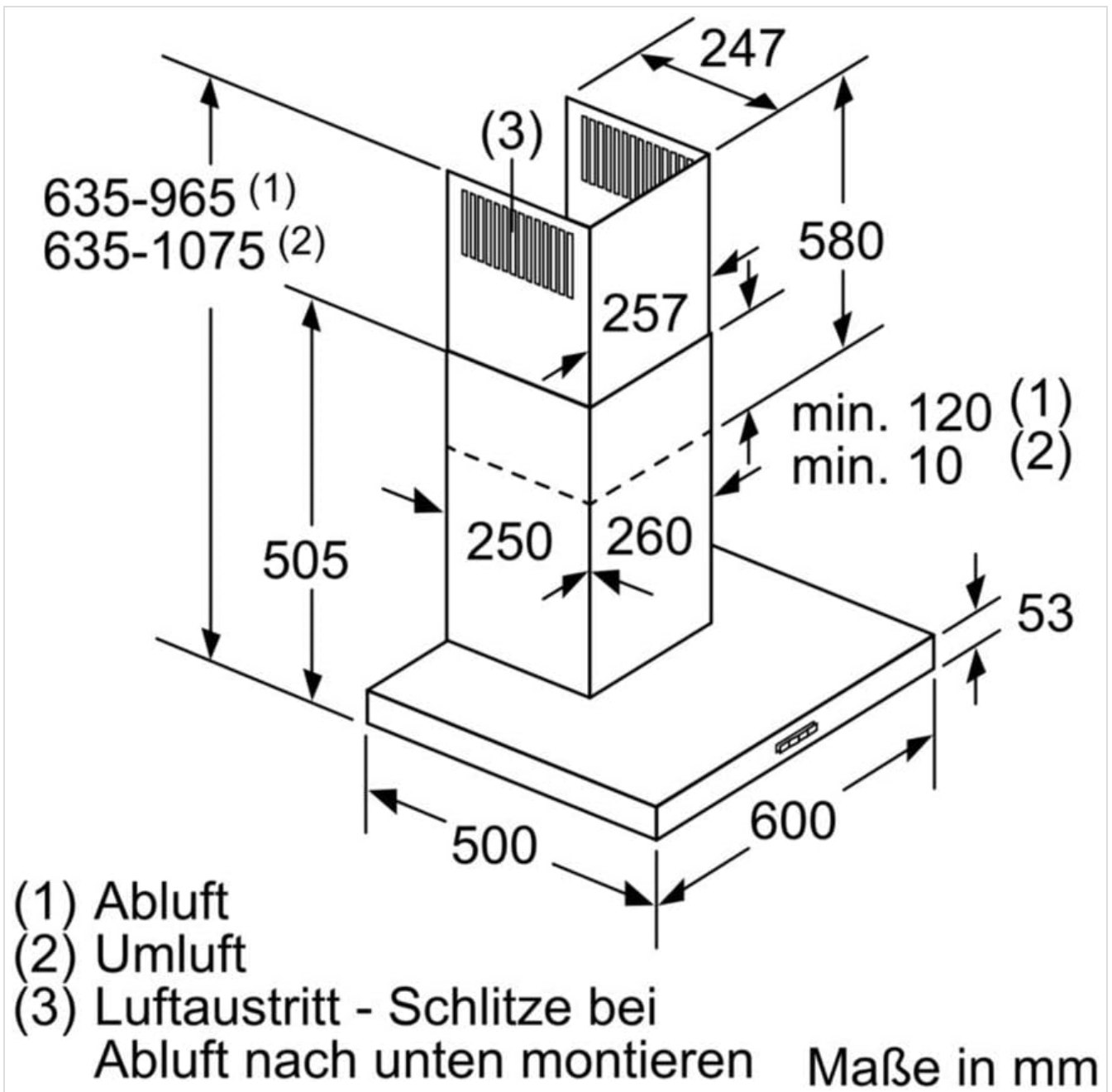


Figure 2: Front and top view dimensions, including chimney height and width details.

Electrical Connection

The appliance requires a 240V electrical supply. Ensure the electrical outlet is positioned correctly as shown in the diagram.

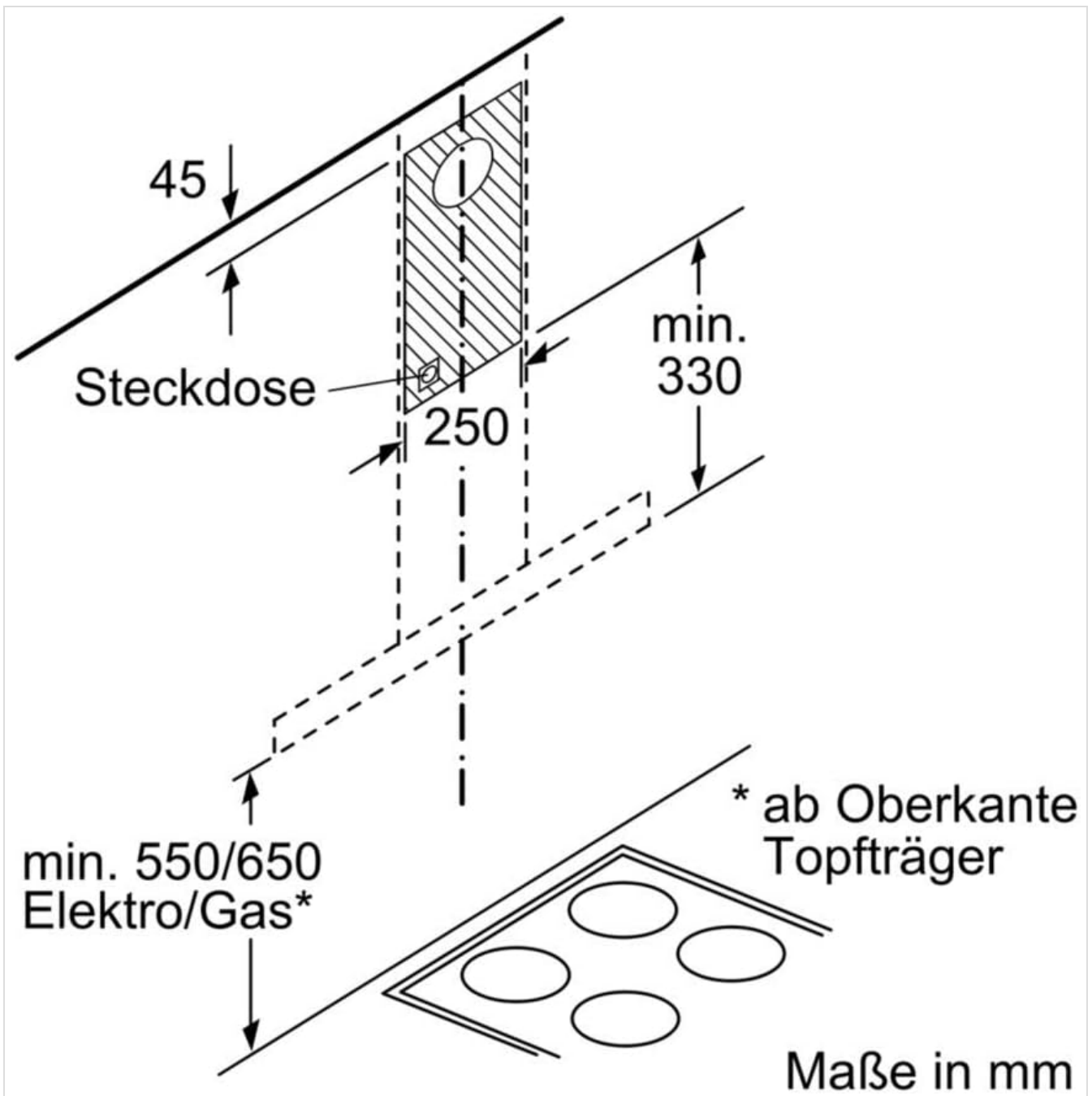


Figure 3: Recommended electrical outlet placement for installation.

Mounting Points

Use the provided mounting hardware and follow the drilling template for secure installation. The diagram illustrates the necessary mounting points on the wall.

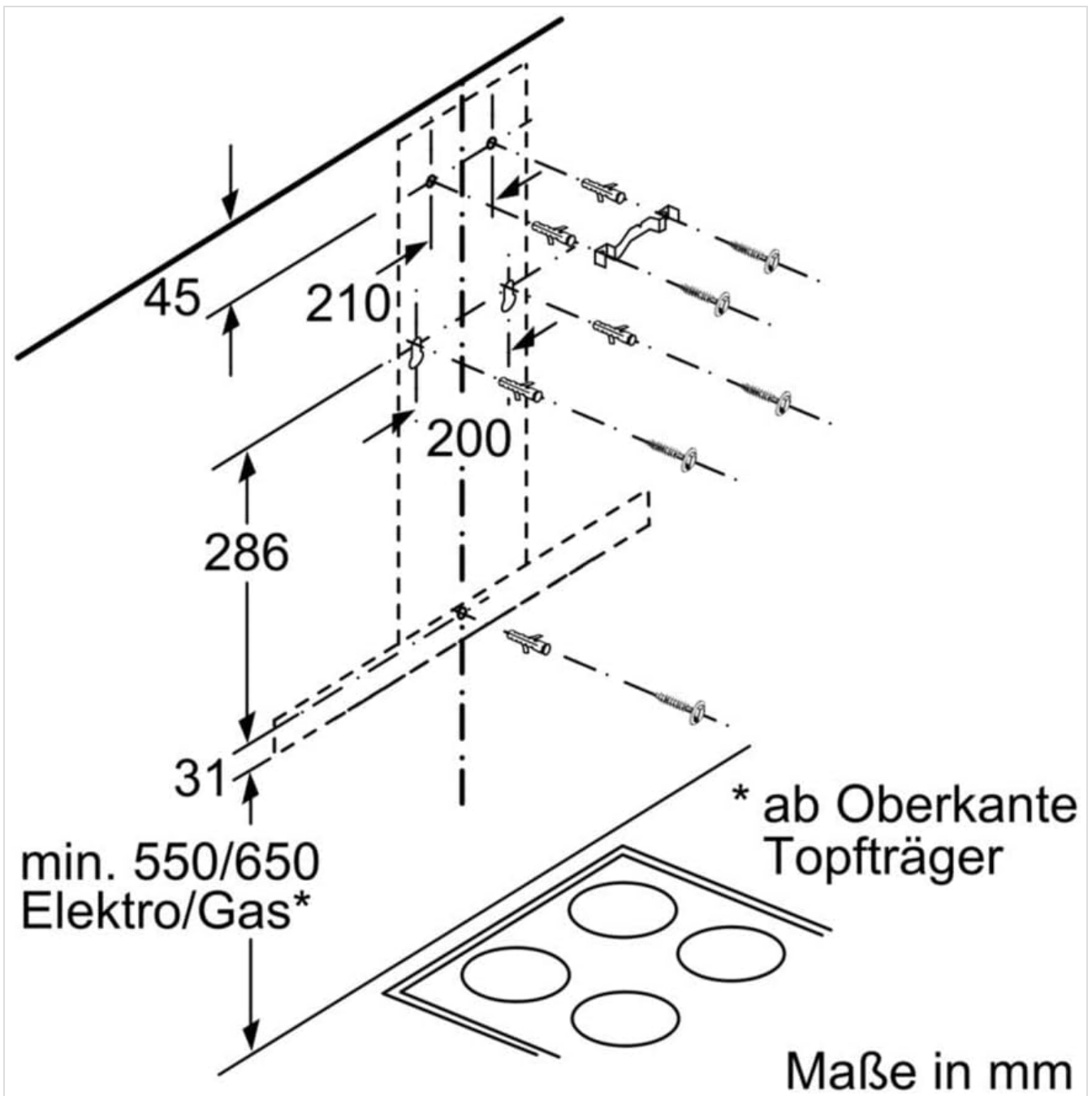


Figure 4: Wall mounting points and screw positions.

Operating Mode

The hood can operate in exhaust air mode (ducting outside) or recirculation mode (filtering and returning air). Accessories for recirculation mode, such as charcoal filters, are available separately.

OPERATING INSTRUCTIONS

The DWB67FM50 hood features a user-friendly touch control panel for easy operation.

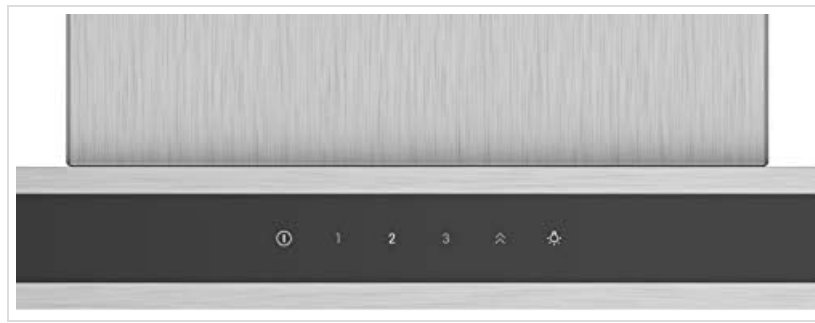


Figure 5: Touch Control Panel

Control Panel Functions:

- **Power Button (O):** Press to turn the hood on or off.
- **Speed Settings (1, 2, 3):** Select the desired extraction speed. Speed 1 is for light cooking, Speed 3 for heavy cooking.
- **Intensive Setting (^):** Activates maximum extraction power for a short period to quickly remove strong odors and steam. The hood will automatically revert to a lower speed after a set time.
- **Light Button (*):** Press to turn the LED lights on or off.

For optimal performance, select a higher speed setting when cooking generates more steam or odors. The intensive setting is particularly effective for quickly clearing the air after frying or grilling.

MAINTENANCE AND CLEANING

Regular maintenance ensures the longevity and efficiency of your hood.

Cleaning the Exterior

Wipe the stainless steel surfaces with a soft cloth and a mild, non-abrasive cleaner. Avoid using harsh chemicals or abrasive pads that can scratch the finish.

Cleaning the Grease Filters

The metal grease filters should be cleaned regularly (approximately every 3-4 weeks, depending on usage) to maintain optimal performance and prevent fire hazards. They can be washed by hand or in a dishwasher.



Figure 6: Metal Grease Filter

To remove the filters, locate the release latches (as seen in Figure 7) and gently pull down. After cleaning, ensure they are completely dry before reinserting.



Figure 7: Underside of the hood showing filters and lights.

Replacing Charcoal Filters (Recirculation Mode Only)

If your hood is operating in recirculation mode, the activated charcoal filters (not included, purchased separately) need to be replaced periodically (typically every 3-6 months, depending on usage). Refer to the charcoal filter's specific instructions for replacement.

TROUBLESHOOTING

Before contacting service, check the following common issues:

Problem	Possible Cause	Solution
Hood does not turn on	No power supply	Check if the power cord is plugged in and the circuit breaker is on.
Low extraction power	Grease filters are dirty	Clean the grease filters.
Low extraction power	Incorrect speed setting	Increase the speed setting or activate the intensive mode.
Increased noise during operation	Grease filters are dirty or improperly installed	Clean or correctly re-install the grease filters.
Lights not working	LED lights faulty	Contact customer service for LED light replacement.

SPECIFICATIONS

Feature	Specification
Brand	Bosch
Model Number	DWB67FM50
Type	T-shaped Wall-Mounted Hood
Material	Stainless Steel
Color	Stainless Steel
Dimensions (H x W x D)	5.3 x 60 x 50 cm (Hood body)
Chimney Height	58.3-91.2 cm (Exhaust) / 58.3-102.2 cm (Recirculation)

Feature	Specification
Max. Air Extraction Rate	459 m³/h
Intensive Air Extraction Rate	752 m³/h
Max. Air Recirculation Rate	404 m³/h
Speed Settings	3 + 1 Intensive
Control Type	Touch Control
Lighting	LED
Noise Level	72 dB
Voltage	240 Volts
Power	250 Watts
Item Weight	200 grams
Included Components	Instruction Manual
Country of Origin	Germany
GTIN	04242005051069
ASIN	B0764LBSYP

WARRANTY AND SUPPORT

Warranty Information

This Bosch DWB67FM50 hood comes with a **5-year warranty** from Bosch Egypt. Please retain your proof of purchase for warranty claims.

Customer Support

For technical assistance, spare parts, or warranty service, please contact Bosch customer support in your region. Refer to the official Bosch website or your purchase documentation for specific contact details.