

PLUSPOE PE705A50V12

PLUSPOE 50W Dimmable LED Driver

Model: PE705A50V12

Brand: PLUSPOE

1. PRODUCT OVERVIEW

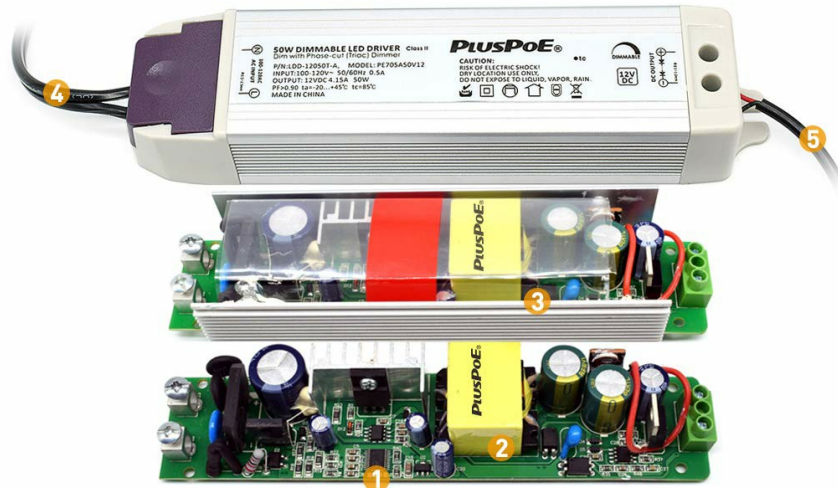
The PLUSPOE 50W Dimmable LED Driver is a compact, quiet, and efficient 12V DC power supply designed for various 12V constant voltage LED lighting applications. It converts 110V AC to 12V DC and is compatible with most standard TRIAC wall dimmers, including Lutron and Leviton models. This driver ensures smooth, flicker-free dimming across a full range (0-100%) for LED strips, modules, light bars, puck lights, and other 12V LED accent lights.

Key Features:

- Quiet, smooth, full-range flicker-free dimming for 12V LED lighting.
- Converts 110V AC to 12V DC.
- Compatible with standard TRIAC wall dimmers (Lutron, Leviton, etc.).
- Supports both forward and reverse phase dimmers.
- Easy to install, mount, and wire.
- Detachable AC (4.5 ft) and DC (3.5 ft) cords for hardwire installations.
- DC cord features a 5.5x2.1mm DC connector for common LED strip lights.

WHY CHOOSE US

We are not expensive, but we are Best. --Best LED dimming Solution



1 Best IC Chip of Dimming solution



4 5 UL Listed AC & DC cords



2 High-Quality Design of Transformer scheme



6 Compatible with Most Lutron & Leviton Dimmers and other standard dimmers



3 Cooling & Protection System



6 Easy installation for your LED dimming system



Image: The PLUSPOE 50W Dimmable LED Driver with its detachable AC and DC cords.

2. SAFETY INFORMATION

WARNING:

- Do not overload the power supply. Overloading can cause the AC adapter to fail and may pose a fire hazard.
- Always calculate your total LED load before connecting the power supply. Ensure the total wattage of your LED lights does not exceed the driver's 50W capacity.
- This unit is **NON-waterproof** and intended for indoor dry locations only.
- Ensure all wiring is performed by a qualified electrician and complies with local electrical codes.
- Disconnect power before installation, maintenance, or troubleshooting.
- The product body indicates "hot" and "neutral" connections. While the included cord may not be polarized, ensure correct wiring if hardwiring the unit.

3. PACKAGE CONTENTS

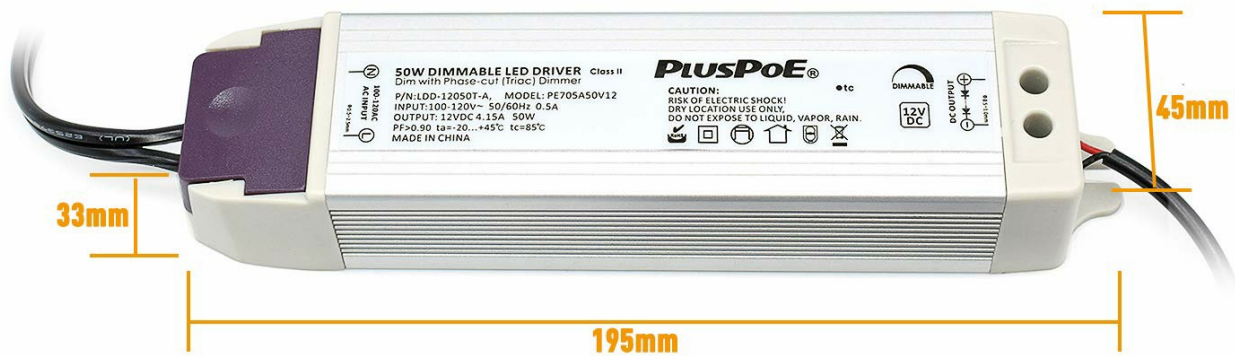
- 1 x PLUSPOE 50W Dimmable LED Driver (Model PE705A50V12)
- 1 x Detachable AC Power Cord (4.5 ft)
- 1 x Detachable DC Output Cord with 5.5x2.1mm connector (3.5 ft)

4. SPECIFICATIONS

Specification	Value
Model Number	PE705A50V12
Input Voltage	100V-130V AC, 50/60Hz
Output Voltage	12V DC (Constant Voltage)
Output Current	4.15 Amps
Output Power	50 Watts Max
Dimming Type	TRIAC (Forward and Reverse Phase)
Dimensions (L x W x H)	195 x 45 x 33 mm (7.7 x 1.8 x 1.3 inches)
Item Weight	12.7 ounces
Operating Environment	Indoor dry location only (Non-waterproof)
Certifications	FCC, UL (for power cords)

CAMPACT WALL-MOUNTABLE DESIGN

OUTER DEMENSION: 195x45x33mm
AC cord 1.5m and DC cord 1.0m



US AC Plug



DC Jack

Image: Detailed dimensions of the LED driver and types of plugs (US AC Plug, DC Jack).

5. SETUP AND INSTALLATION

This LED driver is designed for easy installation. It can be used with the included detachable AC and DC cords or hardwired directly into your electrical system. Always ensure power is disconnected before beginning installation.

5.1 Wiring with Detachable Cords

1. Connect the AC power cord to the driver's AC input port.
2. Connect the DC output cord to the driver's DC output port.
3. Plug the AC power cord into a standard 110V-130V AC outlet controlled by a compatible TRIAC dimmer switch.
4. Connect the DC output cord's 5.5x2.1mm connector to your 12V LED lights. Ensure polarity is correct (positive to positive, negative to negative).

5.2 Hardwire Installation

For hardwire installations, the detachable AC and DC cords can be removed. This allows for a more

permanent and concealed setup. Consult a qualified electrician for hardwiring to ensure compliance with all local electrical codes.

1. **AC Input:** Access the terminal block for AC input. Connect the Live (L) and Neutral (N) wires from your 110V-130V AC supply (controlled by a TRIAC dimmer) to the corresponding terminals on the driver.
2. **DC Output:** Access the terminal block for DC output. Connect the positive (+) and negative (-) wires from your 12V LED lights to the corresponding terminals on the driver.
3. Secure all connections properly.

WIRING DIAGRAM

Constant 12volt Max 50watt

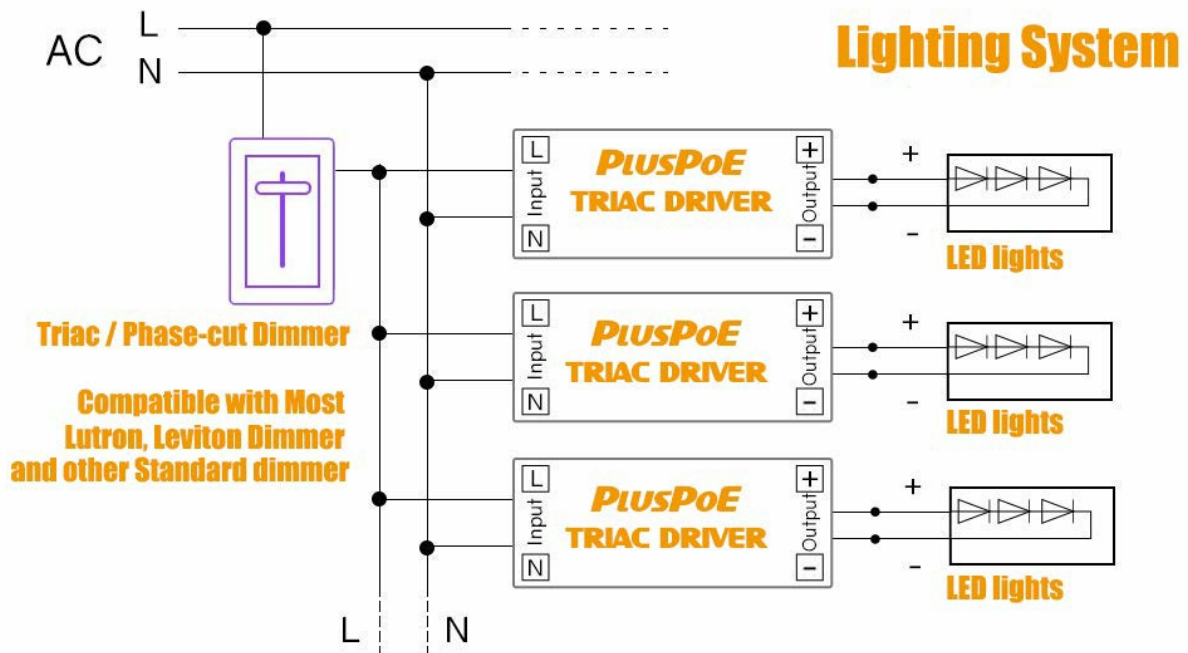
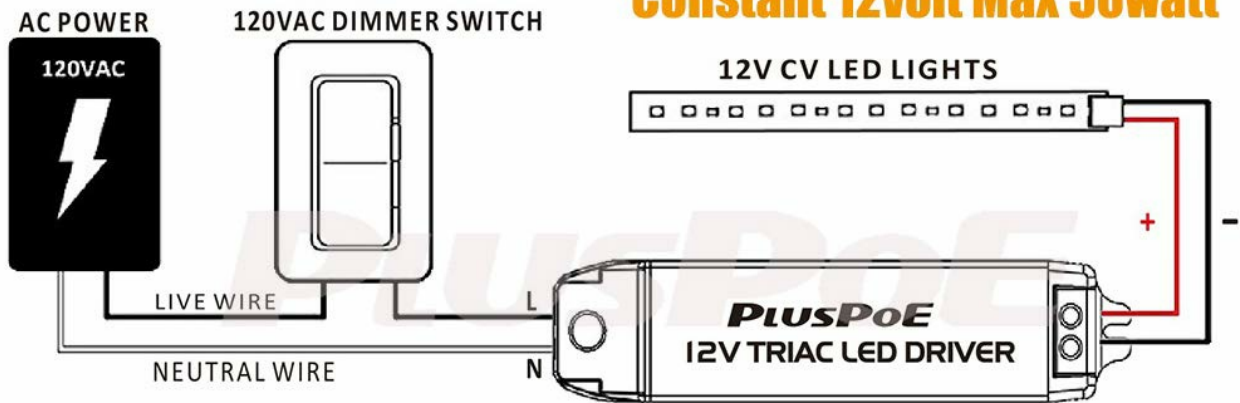


Image: A detailed wiring diagram showing AC power, a 120VAC dimmer switch, and connections to 12V CV LED lights.

KITCHEN CABINET LIGHTING SYSTEM

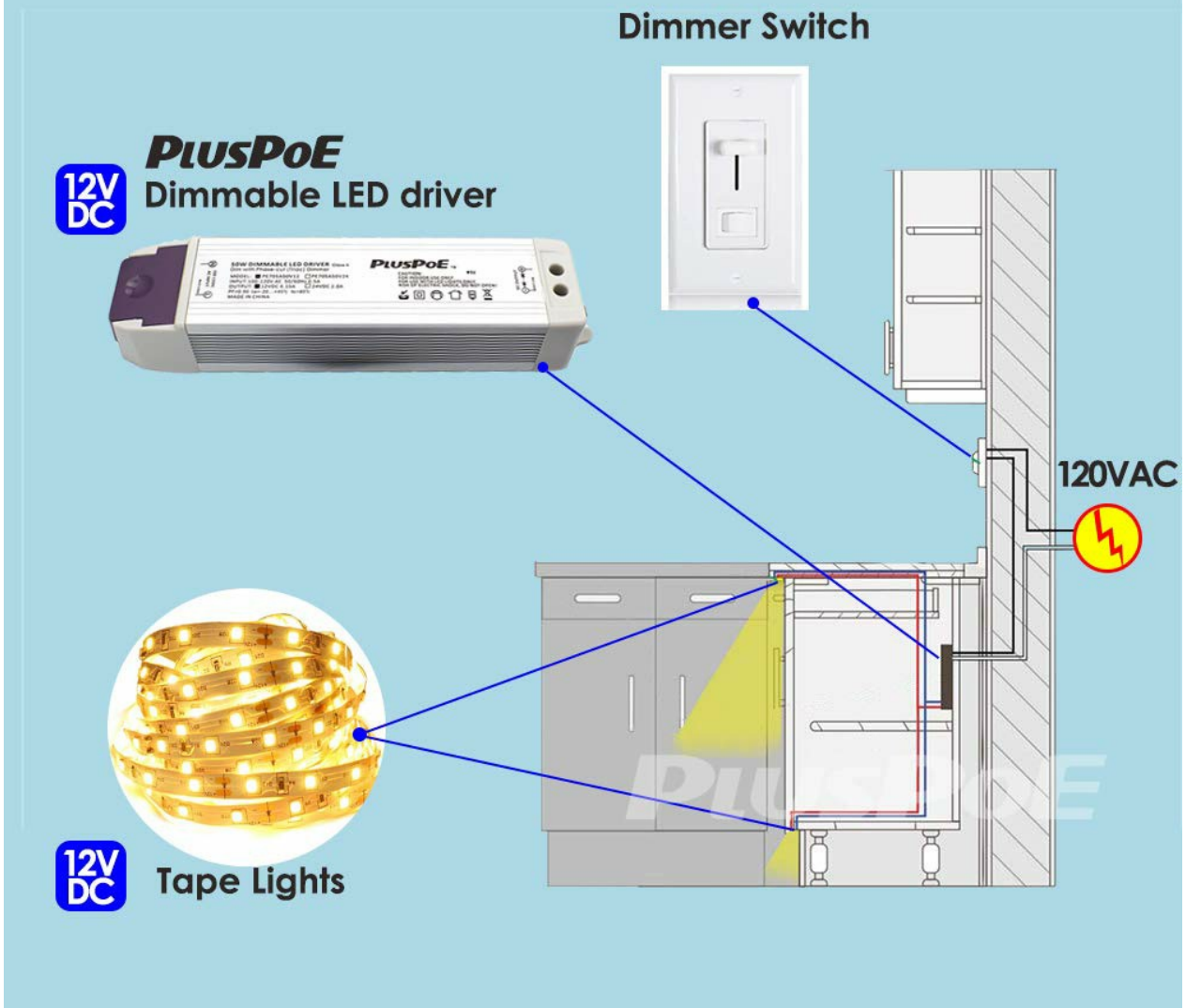


Image: An example of the LED driver integrated into a kitchen cabinet lighting system with tape lights and a dimmer switch.

5.3 Compatibility

The driver is compatible with most AC wall dimmers that use TRIAC technology, including popular brands like Lutron and Leviton. It supports both forward and reverse phase dimmers, providing flexibility for various installations.

APPLICATION FOR MOST 12V LED LIGHTS

Output Constant 12vdc, Suitable for LED Strips, LED Display LED Bulbs, Cabinet Kitchen lights, Spot lights, MR16 and Other 12V LED lights

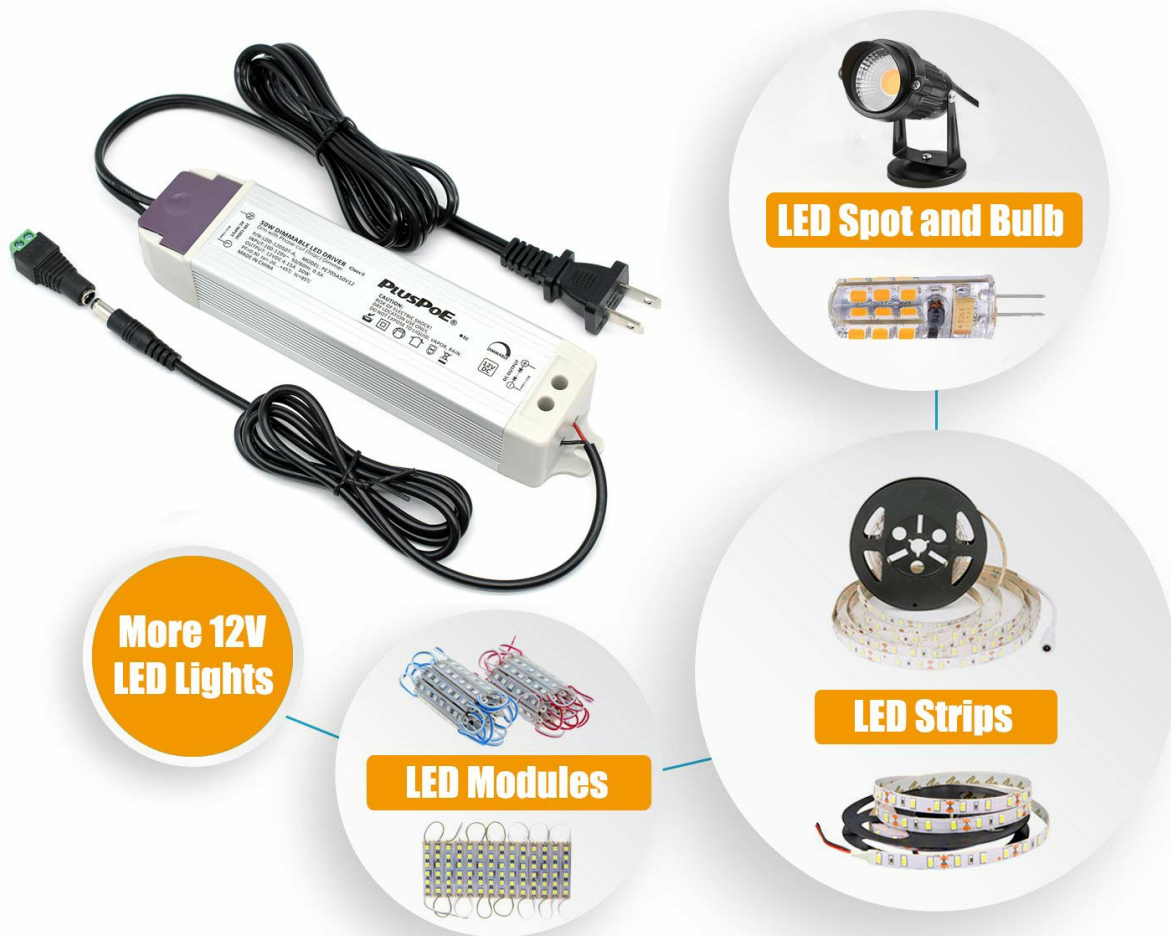


Image: Various applications for the 12V LED driver, including LED spot and bulb, LED modules, and LED strips.

6. OPERATING INSTRUCTIONS

Once properly installed and connected to a compatible TRIAC dimmer switch, the PLUSPOE 50W Dimmable LED Driver operates seamlessly. Use your wall dimmer switch to control the brightness of the connected 12V LED lights. The driver provides a smooth dimming range from 0% to 100% without flickering.

- Turn the dimmer switch ON to power the LED lights.
- Adjust the dimmer control to increase or decrease the light intensity.
- Turn the dimmer switch OFF to power off the LED lights.

7. MAINTENANCE

The PLUSPOE 50W Dimmable LED Driver requires minimal maintenance. Follow these guidelines to ensure optimal performance and longevity:

- Keep the driver in a dry, well-ventilated area. Avoid exposure to moisture, high humidity, or extreme temperatures.

- Ensure the driver is not covered or enclosed in a way that restricts airflow, as proper ventilation is crucial for heat dissipation.
- Periodically inspect the wiring connections to ensure they are secure and free from damage.
- Clean the exterior of the driver with a soft, dry cloth if necessary. Do not use liquid cleaners or solvents.
- Do not attempt to open or repair the driver. This will void the warranty and may pose a safety risk.

8. TROUBLESHOOTING

If you encounter issues with your PLUSPOE 50W Dimmable LED Driver, refer to the following common troubleshooting steps:

Problem	Possible Cause	Solution
LED lights do not turn on.	No power to the driver; Loose connections; Faulty LED lights; Overload.	Check AC power supply and dimmer switch; Verify all wiring connections; Test LED lights with another power source; Reduce total LED load.
LED lights flicker or dim inconsistently.	Incompatible dimmer switch; Overload; Loose connections; Faulty LED lights.	Ensure dimmer is a compatible TRIAC type; Reduce total LED load; Check all wiring connections; Test LED lights.
Driver makes a buzzing sound.	Incompatible dimmer; Electrical interference; Overload.	Ensure dimmer is a compatible TRIAC type; Check for proper grounding; Reduce total LED load. Some dimmers may cause slight buzzing.
Driver gets excessively hot.	Overload; Insufficient ventilation.	Reduce total LED load; Ensure adequate airflow around the driver.

9. WARRANTY AND SUPPORT

This PLUSPOE product is subject to a standard return policy, typically allowing returns within 30 days of purchase. For specific warranty details, technical support, or assistance with installation and troubleshooting beyond this manual, please contact PLUSPOE customer service directly through your retailer or the official brand website.

Please retain your purchase receipt for warranty claims.