

Manuals+

[Q & A](#) | [Deep Search](#) | [Upload](#)

manuals.plus /

- › [Opis Technology](#) /
- › [Opis 60s Micro Retro Phone Handset User Manual](#)

Opis Technology T60mic

Opis 60s Micro Retro Phone Handset User Manual

Model: T60mic

1. INTRODUCTION

The Opis 60s Micro is a retro-style phone handset designed to enhance your communication experience across various devices. It connects to cell phones, tablets, notebooks, and PCs, offering a comfortable and classic way to make and receive calls. This manual provides essential information for setting up, operating, maintaining, and troubleshooting your device.



Image 1.1: The Opis 60s Micro handset in green, connected to a smartphone. This illustrates the product's primary use as an external handset for mobile devices.

2. PACKAGE CONTENTS

1. Connect the 3.5mm audio plug of the Opis 60s Micro handset into the 3.5mm female end of the USB-C adapter. Push firmly until it clicks into place.
2. Insert the USB-C end of the adapter into your device's USB-C port.



Image 3.1: An exploded view showing the 150 Ohm speaker, electret microphone, 3.5mm audio plug, included USB-C adapter, coiled cable, and strain relief of the Opis 60s Micro handset.



Image 3.2: A detailed view of the USB-C adapter, illustrating how the 3.5mm plug connects to the adapter and the adapter connects to a USB-C port.

3.3 Device Compatibility

The Opis 60s Micro is compatible with a wide range of devices:

- **Android Devices:** Connects via 3.5mm jack or USB-C adapter.
- **Notebooks & PCs:** Connects via 3.5mm jack or USB-C adapter.
- **Tablets:** Connects via 3.5mm jack or USB-C adapter.
- **iPhone 15 and Newer:** Compatible directly with the USB-C adapter.
- **iPhone 14 and Older:** Requires a separate Lightning adapter (not included with this product) to connect.



Image 3.3: The Opis 60s Micro handset shown with a notebook, an Android phone, a tablet, and an iPhone, demonstrating its broad compatibility.

4. OPERATING INSTRUCTIONS

Once connected, the Opis 60s Micro functions as an external speaker and microphone for your device.

1. **Making Calls:** Initiate a call on your connected device as usual. The audio will automatically route through the handset.
2. **Receiving Calls:** Answer an incoming call on your connected device. Speak and listen through the

handset.

3. **Audio Quality:** The design of the handset naturally positions the speaker and microphone for optimal voice clarity, similar to traditional corded phones.
4. **Comfort:** The ergonomic design allows for comfortable holding during extended conversations and can be cradled between the ear and shoulder for hands-free use.



THE PURE JOY OF MAKING CALLS!

FINALLY TALKING WITH A REAL HANDSET AGAIN!

A PLEASURE TO HOLD!

EXCITE YOURSELF AND OTHERS!

Image 4.1: A person demonstrating the use of the Opis 60s Micro handset, highlighting its comfortable and familiar feel during a call.

5. IMPORTANT COMPATIBILITY NOTES

5.1 Samsung Devices

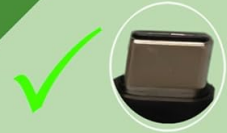
Some Samsung devices may experience a software issue where the microphone does not always function correctly when connected via USB-C. If you encounter this, please consult Samsung forums or support for potential solutions.

5.2 iPhone Devices

- **iPhone 15 and Newer:** Fully compatible with the included USB-C adapter.
- **iPhone 14 and Older:** Requires a separate Lightning adapter for connection. The USB-C adapter is not compatible with these models.

SAMSUNG

SOME SAMSUNG DEVICES CONTAIN A **SOFTWARE BUG**. WHEN CONNECTED VIA **USB-C** THE MICROPHONE DOESN'T ALWAYS WORK. PLEASE ALSO CONSULT SAMSUNG FORUMS.



IPHONE 15

THIS IS THE RIGHT PRODUCT FOR IPHONE 15 AND NEWER.



IPHONE 14

FOR IPHONE 14 AND OLDER, YOU NEED TO GET THE LIGHTNING BUNDLE.

Bundles with this item



Opis 60s micro
(compatible with iPho...)

IPHONE AND SAMSUNG USERS!

PLEASE NOTE THESE SPECIFICS REGARDING USE OF YOUR MOBILE DEVICES WITH THE OPIS 60S MICRO.

Image 5.1: A visual guide detailing specific compatibility requirements for iPhone 15 (USB-C) and iPhone 14/older (Lightning adapter needed), and a note regarding potential microphone issues with some Samsung USB-C devices.

6. MAINTENANCE

To ensure the longevity and optimal performance of your Opis 60s Micro handset, follow these simple maintenance guidelines:

- **Cleaning:** Wipe the handset with a soft, dry, or slightly damp cloth. Avoid harsh chemicals or abrasive cleaners.
- **Storage:** Store the handset in a cool, dry place away from direct sunlight and extreme temperatures.
- **Cable Care:** Avoid excessive pulling or bending of the coiled cable and connections to prevent internal damage.



Image 6.1: A close-up view of the earpiece of the Opis 60s Micro, showing the speaker grille. Regular cleaning of this area helps maintain sound quality.

7. TROUBLESHOOTING

If you encounter issues with your Opis 60s Micro handset, please refer to the following common solutions:

- **No Sound or Microphone Not Working:**
 - Ensure the 3.5mm audio plug is fully inserted into your device or the USB-C adapter. A loose connection is a common cause.
 - If using the USB-C adapter, ensure it is firmly connected to both the handset and your device.
 - Check your device's audio settings to ensure the external headset is selected as the input/output device.
 - For Samsung devices, refer to Section 5.1 regarding potential microphone software issues.
- **Poor Audio Quality (Static, Low Volume):**
 - Verify all connections are secure.
 - Test the handset with another compatible device to rule out an issue with the original device.
 - Ensure your device's volume is adjusted appropriately.
- **Handset Not Recognized by Device:**
 - Restart your connected device.
 - Ensure your device's operating system is up to date.

8. SPECIFICATIONS

Feature	Detail
Model Name	60s micro
Connectivity Technology	Wired (3.5mm jack & USB-C adapter)
Headphones Jack	4-pole 3.5mm jack & USB-C
Material	Plastic
Item Weight	8.8 ounces (0.25 Kilograms)
Product Dimensions	8.27 x 2.76 x 2.36 inches
Cable Length (Coiled)	Approx. 77 cm (2.5 ft)
Cable Length (Extended)	Approx. 255 cm (8.4 ft)
Impedance	150 Ohm
Manufacturer	Opis Technology GmbH

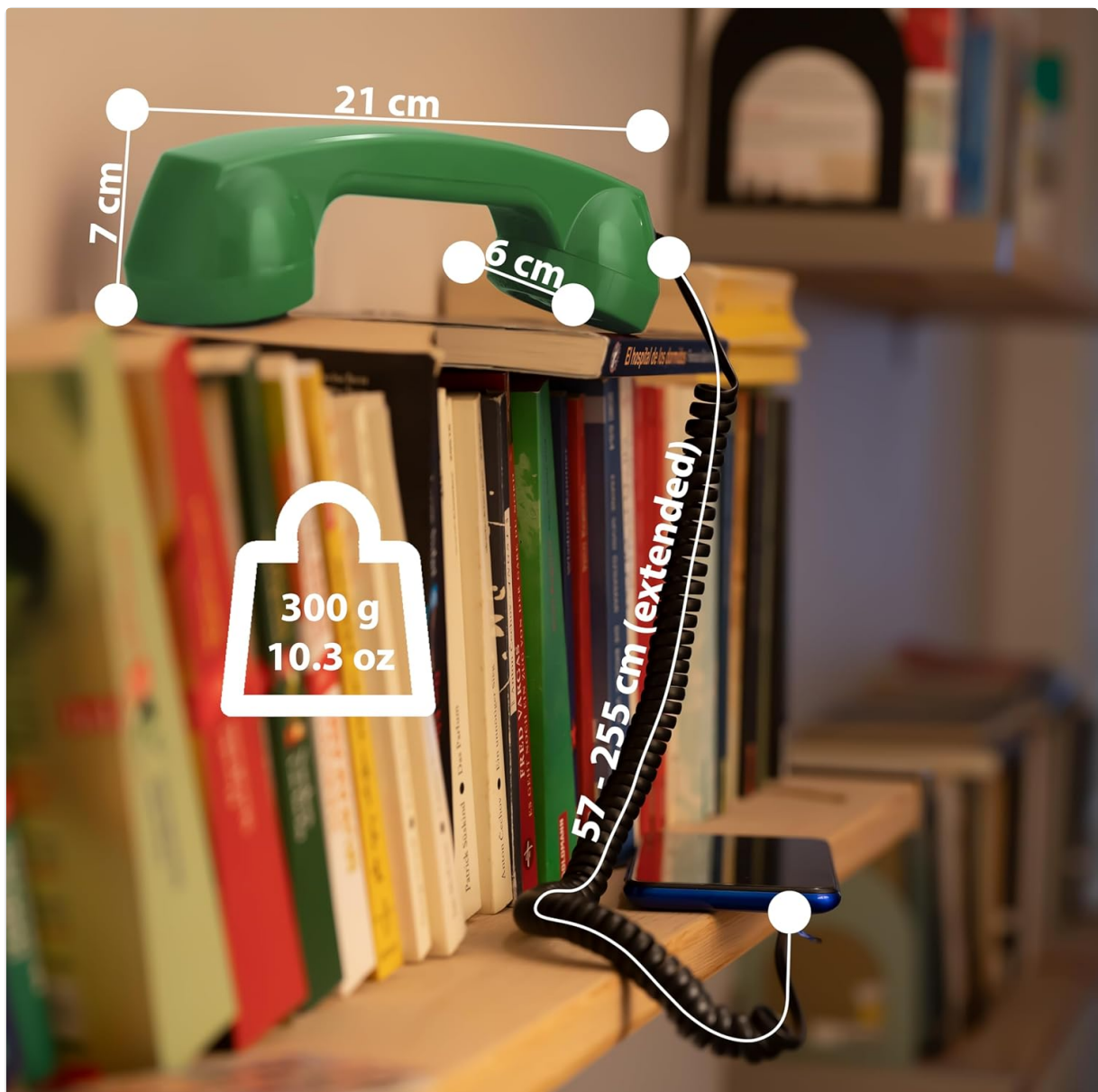


Image 8.1: A visual representation of the Opis 60s Micro handset's dimensions (21 cm length, 7 cm height, 6 cm width) and weight (300g / 10.3 oz).

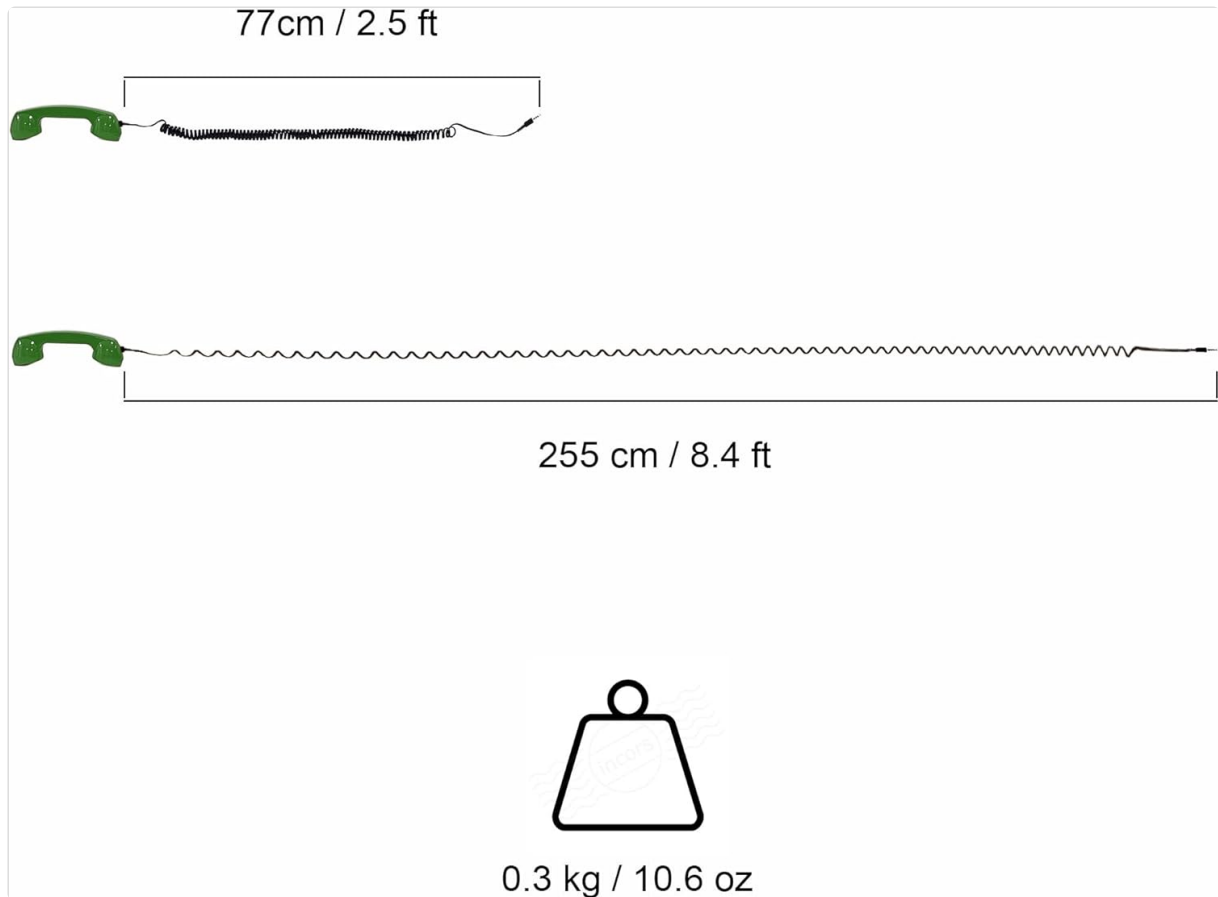


Image 8.2: A diagram illustrating the coiled cable length (77 cm / 2.5 ft) and the fully extended cable length (255 cm / 8.4 ft) of the Opis 60s Micro handset.

9. WARRANTY AND SUPPORT

For warranty information and customer support, please refer to the documentation included with your purchase or visit the official Opis Technology website. Opis Technology GmbH is committed to providing quality products and assistance.

Manufacturer: Opis Technology GmbH