



Manuals.plus /

› **Zenna Home /**

› Zenna Home 3-Tier Over-The-Toilet Bathroom Spacesaver Instruction Manual

Zenna Home E8765GY01

Zenna Home 3-Tier Over-The-Toilet Bathroom Spacesaver Instruction Manual

Model: E8765GY01

PRODUCT OVERVIEW

The Zenna Home 3-Tier Over-The-Toilet Bathroom Spacesaver is designed to maximize storage in bathrooms with limited space. It utilizes the area above your toilet to provide three levels of shelving for toiletries, linens, and decorative items. Featuring a durable pewter-finished metal frame and driftwood gray shelves, this unit offers both functionality and an attractive aesthetic.



Image: Zenna Home 3-Tier Over-The-Toilet Bathroom Spacesaver in a bathroom setting.

IMPORTANT SAFETY INFORMATION

Please read and understand all instructions before assembly and use. Failure to follow these instructions may result in injury or damage to the product.

- **Do not overload shelves.** Maximum weight capacity is not specified, so distribute weight evenly and avoid placing excessively heavy items on the shelves.
- This unit is designed to be placed over a standard-sized toilet. Ensure adequate clearance (bottom shelf is 35 inches

from the floor).

- For stability, it is highly recommended to anchor the unit to the wall using the provided anchoring screws. This prevents tipping, especially in households with children or pets.
- Keep small parts away from children during assembly.

SETUP AND ASSEMBLY

Assembly of the Zenna Home Spacesaver requires basic tools and can typically be completed by one person. Follow these steps carefully:

1. **Unpack and Verify Parts:** Carefully remove all components from the packaging. Refer to the included parts list (if available in physical manual) to ensure all pieces are present and undamaged.
2. **Assemble the Frame:** Connect the metal frame sections according to the diagrams. Ensure all connections are secure.
3. **Attach Shelves:** Securely attach the three wooden shelves to the metal frame. Ensure they are level and firmly fastened. Some users have noted that screw holes may be tight; apply firm, steady pressure to avoid stripping screw heads.
4. **Position the Unit:** Carefully place the assembled spacesaver over your toilet. The bottom shelf is designed to sit 35 inches from the floor, providing clearance for most standard toilets.
5. **Install Bottom Bar:** Attach the stabilizing bottom bar. This bar significantly enhances the unit's stability.
6. **Anchor to Wall (Recommended):** Due to the unit's height and potential for instability, it is strongly recommended to anchor it to the wall.
 - Accurately mark the wall where the anchors will be placed, aligning with the unit's frame.
 - Install the wall anchors (e.g., drywall anchors) as per their instructions.
 - Secure the unit to the wall using the provided screws and spacers. The spacers help cover the screws in the gap between the unit and the wall, and further stabilize the unit.

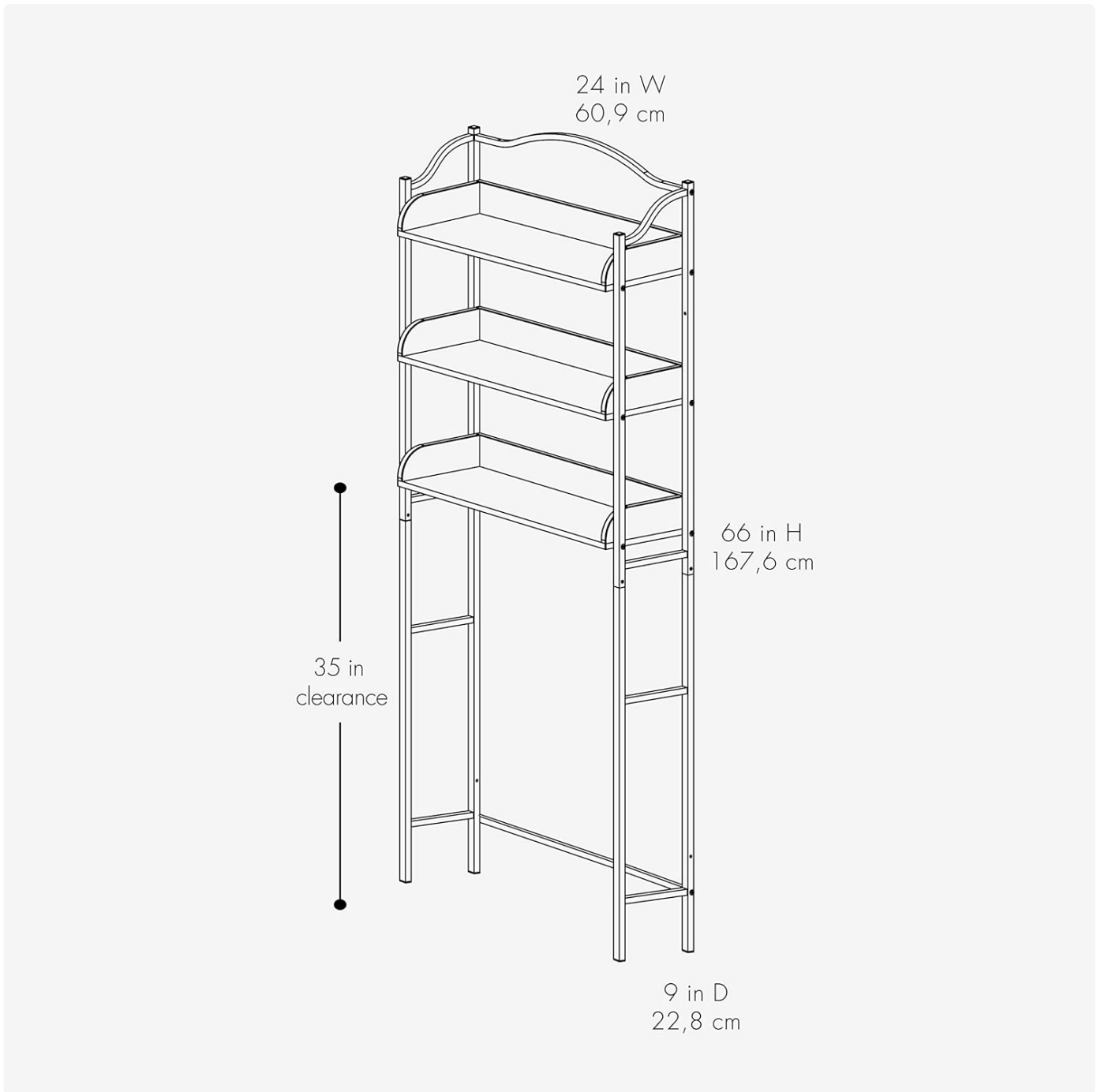


Image: Dimensional drawing of the spacesaver, showing 35 inches of clearance for the toilet.





Image: Front view of the spacesaver, illustrating its structure and shelf design.

OPERATING INSTRUCTIONS

The Zenna Home Spacesaver is designed for convenient storage in your bathroom. To use:

- Place toiletries, towels, decorative items, or other bathroom essentials on the three sturdy shelves.

- Ensure items are placed securely and do not overhang the edges of the shelves to prevent accidental falls.
- The unit is suitable for use in bathrooms, utility rooms, laundry rooms, or garages where vertical storage is needed.



Image: Close-up of shelves demonstrating storage capacity.

MAINTENANCE AND CARE

To ensure the longevity and appearance of your Zenna Home Spacesaver:

- **Cleaning:** Wipe clean with a damp cloth. Avoid abrasive cleaners or harsh chemicals that could damage the finish of the metal frame or the wooden shelves.
- **Inspection:** Periodically check all screws and connections to ensure they remain tight. Re-tighten if necessary.
- **Stability:** Regularly verify that the unit remains securely anchored to the wall, especially if it is frequently moved or if heavy items are placed on it.

TROUBLESHOOTING

Problem	Possible Cause	Solution
Unit wobbles or feels unstable.	Not anchored to the wall; loose connections; uneven floor.	Ensure the unit is securely anchored to the wall using the provided hardware. Check and tighten all screws. If the floor is uneven, consider using shims under the feet.
Difficulty screwing in fasteners during assembly.	Screw holes may be tight or misaligned.	Apply firm, steady pressure when screwing. Ensure the screw is properly aligned before applying force. Do not overtighten to avoid stripping.
Toilet lid hits shelves when opening.	Unit not positioned correctly or toilet is taller than standard.	Verify the unit's position. The bottom shelf is 35 inches from the floor; ensure your toilet provides adequate clearance.

SPECIFICATIONS

- **Model Name:** Zenna Home 3-Tier Over-The-Toilet Bathroom, Driftwood Gray/Pewter Spacesavers
- **Model Number:** E8765GY01
- **Brand:** Zenna Home
- **Dimensions (D x W x H):** 8.98"D x 24"W x 65.98"H
- **Item Weight:** 17.86 pounds
- **Number of Shelves:** 3
- **Bottom Shelf Clearance:** 35 inches from floor
- **Finish Type:** Pewter (frame), Driftwood Gray (shelves)
- **Material:** Metal (frame), Wood (shelves)
- **Installation Type:** Freestanding (with recommended wall anchoring)
- **Assembly Required:** Yes
- **UPC:** 043197154514

WARRANTY INFORMATION

As per manufacturer specifications, there is no stated warranty for this product.

CUSTOMER SUPPORT

For further assistance, questions, or to explore other Zenna Home products, please visit the official Zenna Home Store:

[Visit Zenna Home Store](#)

Our US-based customer service team is available to assist you. Please refer to the Zenna Home website or product packaging for specific contact methods (live chat, phone, or email).