



Manuals.plus /

- › Timorn /
- › Timorn T886 Inductive Tachometer Hour Meter User Manual

Timorn T886

Timorn T886 Inductive Tachometer Hour Meter User Manual

Model: T886

1. INTRODUCTION

The Timorn T886 Inductive Tachometer Hour Meter is a versatile device designed to monitor engine RPM and total operating hours for various small gasoline engines. It features a replaceable internal battery, waterproof design, and a maintenance reminder function, making it suitable for a wide range of applications including chainsaws, lawn mowers, motorcycles, ATVs, and marine engines.



Figure 1: Timorn T886 Inductive Tachometer Hour Meter

2. SAFETY INFORMATION

This device is designed for universal application across various vehicles and equipment. However, installation may not be suitable under the following conditions:

- If the back of the seat has a significant curvature.
- If the back of the seat is uneven or features a prominent handle.
- If there is no independent, pullable headrest.

Always ensure the device is securely mounted and wiring is clear of moving parts or extreme heat sources.

3. SETUP AND INSTALLATION

The Timorn T886 tachometer is designed for easy installation. It operates by detecting electrical pulses from the spark plug wire.

3.1. Wiring

1. Locate the spark plug wire on your engine.
2. Wrap the single black wire from the tachometer around the spark plug wire. Ensure at least 5 tight turns to establish a reliable connection.

3. Secure the wrapped wire to prevent it from coming loose.

BATTERY REPLACEABLE

Rotate the cover with a coin to open or close



CR2450



WATERPROOF

IP67 level Do not use under water

Figure 2: Wiring the tachometer to the spark plug wire

Inductive Hour Meter For 2-Stroke&4-Stroke Engine

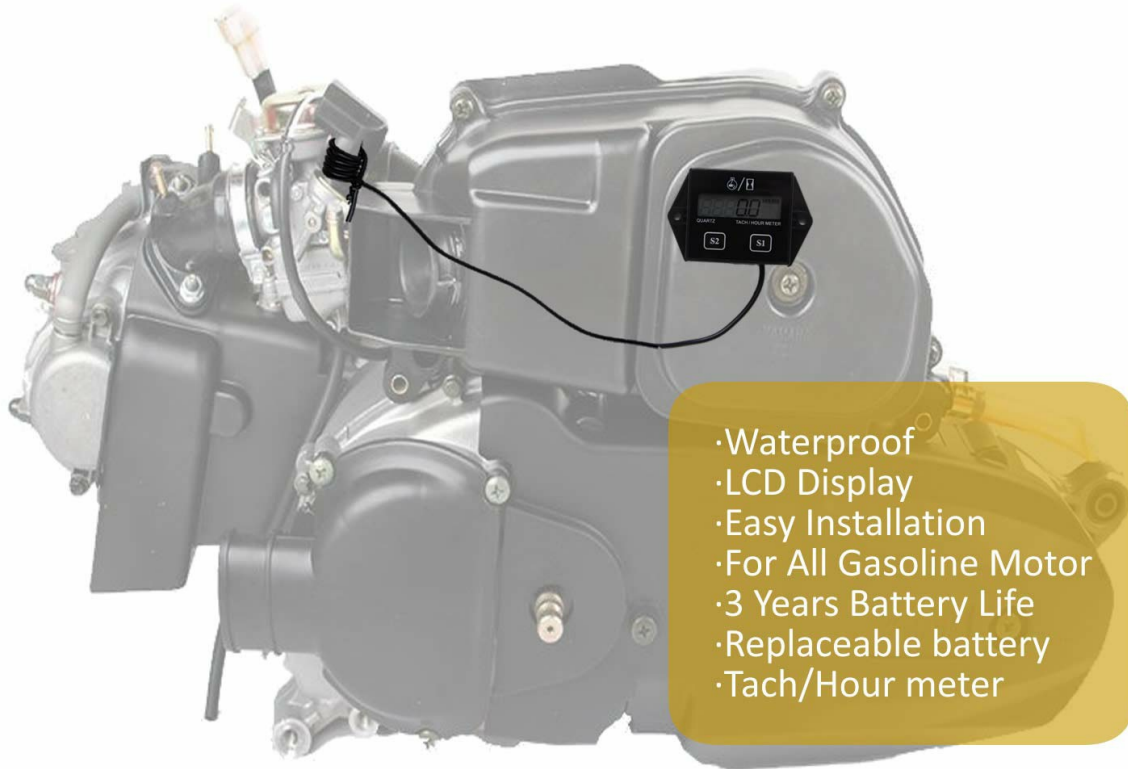


Figure 3: Example installation on a small engine

3.2. Initial Activation

After installation, activate the meter:

1. Press the S1 and S2 buttons simultaneously. The screen will display a sequence from 00000 to 99999, then turn off after 2 seconds.
2. Press either the S1 or S2 button to activate the meter. The screen will display '0.0'.

3.3. Engine Type Selection

Configure the tachometer for your specific engine type:

- Hold the S1 button to cycle through stroke modes:
 - **01:** 4-stroke engine (common)
 - **02:** 2-stroke engine (common)
 - **03:** Other stroke types
 - **04:** RPM shut down, only display hours

INSTALLATION

Wrap the wire on the spark plug for 5 rounds and fix it.

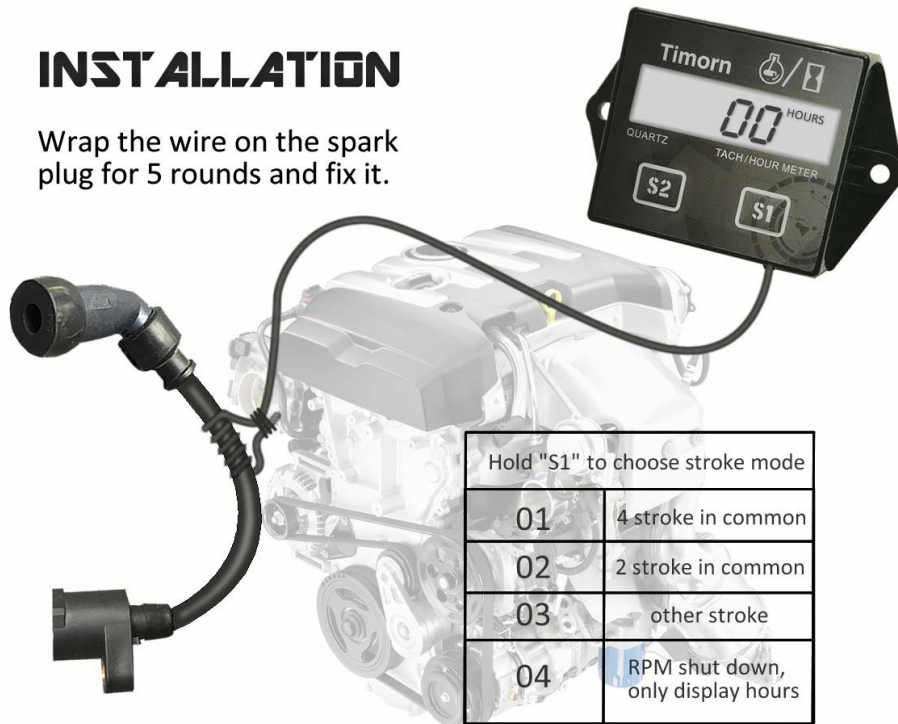


Figure 4: Engine type selection

3.4. Video: Where to Use

Video 1: This video demonstrates various applications for the Timorn T886 tachometer, showcasing its versatility across different small engines.

4. OPERATING INSTRUCTIONS

Once installed and configured, the tachometer will automatically display engine information.

4.1. Reading RPM and Hours

- When the engine is running, the display will show the actual engine RPM (Revolutions Per Minute). The RPM range is from 0 to 15000.
- When the engine is shut down, the display will show the total accumulated operating hours.



TOT HOURS

Display total working hours when engine is shut down.



RPM

Display actual RPM when engine is running.

Figure 5: Display modes for total hours and RPM

4.2. Video: Show Real-Time RPM

Video 2: This video demonstrates the real-time RPM display function of the Timorn T886 tachometer while an engine is running.

5. MAINTENANCE

5.1. Maintenance Reminder

The device includes a maintenance reminder to help track service intervals such as oil changes, valve adjustments, and spark plug replacements.

1. Press and hold the S2 button for 4 seconds to enter maintenance time setting mode.
2. Press S1 to increase the flashing digit.
3. Press S2 to move to the next digit.
4. Release both buttons for over 10 seconds to save the setting.

When the set maintenance time is reached, a 'SERVICE' icon will flash on the screen to remind you.

MAINTENANCE REMINDER

Countdown tracking time, reminding maintenance



Press "S2" for 4 seconds to set maintenance time, then press "S1" to increase flashing digit, press "S2" to adjust next digit. Release the buttons over 10 seconds. Then hold both "S1" & "S2" until digit on screen display changes from 00 to 09.

When reached the set maintenance time, the "SERVICE" icon will be lit up to remind you for maintenance.



Figure 6: Setting the maintenance reminder

5.2. Battery Replacement

The Timorn T886 is powered by a replaceable CR2450 lithium button cell battery, rated for approximately 35,000 hours of operation.

1. Locate the battery cover on the back of the unit.
2. Use a coin to rotate the cover counter-clockwise to open it.
3. Remove the old CR2450 battery and insert a new one, ensuring correct polarity.
4. Replace the cover and rotate clockwise with a coin to secure it.



Figure 7: Battery replacement and waterproof design

5.3. Video: Replaceable Battery

Video 3: This video illustrates the process of replacing the battery in the Timorn T886 tachometer.

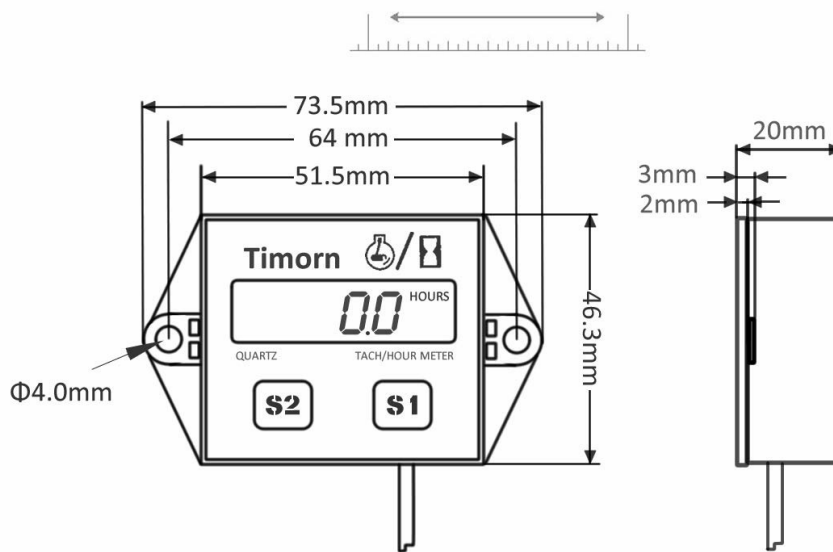
6. TROUBLESHOOTING

- **No Display:** Ensure the battery is correctly installed and has sufficient charge. If recently installed, try pressing S1 and S2 together, then S1 or S2 to activate.
- **Inaccurate RPM Reading:** Verify the wire is tightly wrapped around the spark plug wire (at least 5 turns). Ensure the correct engine type (2-stroke or 4-stroke) is selected in the settings.
- **No Hour Accumulation:** Confirm the device is correctly detecting engine operation. Check wiring and engine type settings.
- **Maintenance Reminder Not Working:** Ensure the maintenance interval is set correctly.

7. SPECIFICATIONS

Feature	Detail
Product Dimensions	2.05 x 1.81 x 0.79 inches
Screen Dimensions	1.6 x 0.45 inches
Item Weight	1.76 ounces (50 Grams)
Material	Plastic (ABS)
RPM Range	0 - 15000 RPM
Timing Range	99999 Hours
Timing Accuracy	0.1 Hour
Refresh Rate	1 second
Wire Length	1900mm
Battery Type	CR2450 Lithium Button Cell (included)
Battery Life	Rated for 35,000 hours of operation
Waterproof Level	IP67 (Do not use under water)

SIZE



PARAMETERS

Wire Length	1900mm	Timing Accuracy	0.1 H
Screen Size	41*11mm	Timing Range	99999H
Refresh Rate	1s	RPM Range	0-15000
N.W	50g	Housing Material	ABS

8. WARRANTY AND SUPPORT

For warranty information or technical support, please refer to the product packaging or contact Timorn customer service directly. Contact details can typically be found on the manufacturer's official website or through the retailer where the product was purchased.