

Manuals+

[Q & A](#) | [Deep Search](#) | [Upload](#)

manuals.plus /

› [PIONEER](#) /

› [PIONEER G-Series TS-G4620S 4" x 6" 2-Way Car Speakers Instruction Manual](#)

PIONEER TS-G4620S

PIONEER G-Series TS-G4620S 4" x 6" 2-Way Car Speakers Instruction Manual

1. INTRODUCTION AND OVERVIEW

The Pioneer TS-G4620S 4" x 6" 2-Way Oval Car Speakers are designed to enhance your vehicle's audio system. These speakers deliver improved sound quality and performance, allowing for a more enjoyable listening experience. With a maximum power handling of 200 watts and a continuous power handling of 30 watts, the TS-G4620S speakers are engineered to produce clear and dynamic audio without distortion, even at higher volume levels. They are suitable as a direct replacement for factory-installed speakers or as an upgrade to existing audio setups, featuring a versatile size and shallow mounting depth for straightforward installation.



Image 1.1: The Pioneer TS-G4620S 4" x 6" 2-Way Car Speakers.

2. PRODUCT FEATURES

- **2-Way Design:** These speakers feature separate drivers for reproducing different frequency ranges, resulting in more accurate and balanced sound reproduction.
- **Power Handling:** A maximum power handling of 200 watts and a continuous power handling of 30 watts ensures dynamic sound delivery with crisp highs and deep lows across a wide range of frequencies.
- **Frequency Response:** Capable of playing a broad range of audio frequencies with a response range of 35 Hz to 22 kHz, providing rich and immersive sound for various music genres.
- **Sensitivity:** An 89 dB sensitivity rating allows for clear and loud sound output even with lower power inputs, minimizing distortion at higher volume levels.
- **Installation Compatibility:** Designed to be compatible with a range of car audio systems, serving as a direct replacement or upgrade.

No basic, run-of-the-mill features.

Powerful handling and deeper bass with 30mm dome tweeter for balanced, crisp highs.



POWER HANDLING

200 W MAXIMUM
30 W CONTINUOUS



Pioneer

TS-G4620S

Image 2.1: The TS-G4620S speaker, illustrating its power handling capabilities.

Performance on a budget.

Speakers packed with proven technology, lightweight components, and great performance.



SENSITIVITY

89 dB



FREQUENCY RESPONSE

35 Hz – 22 kHz



Pioneer

TS-G4620S

Image 2.2: The TS-G4620S speaker, detailing its sensitivity and frequency response.

3. PACKAGE CONTENTS

Upon opening the package, please verify that all components are present and undamaged.

- Pioneer TS-G4620S 4" x 6" 2-Way Car Speakers (Pair)
- Wire extensions
- Mounting hardware

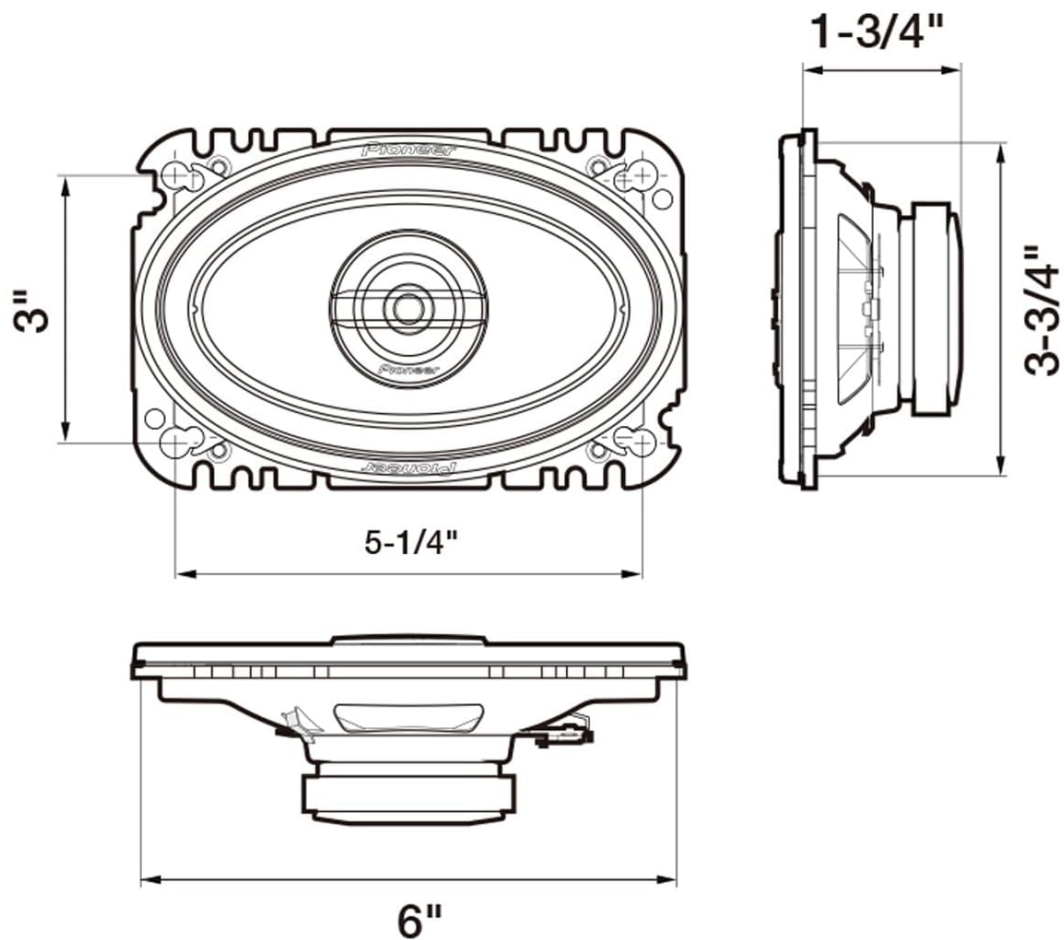


Image 3.1: Pioneer TS-G4620S speaker with included wire extensions and mounting hardware.

4. INSTALLATION (SETUP)

The Pioneer TS-G4620S speakers are designed for straightforward installation as a replacement for factory speakers or an upgrade. Due to variations in vehicle models and existing audio systems, professional installation is recommended for optimal results and to prevent damage.

4.1 Pre-Installation Checks

- Ensure the vehicle's ignition is off and the battery is disconnected before beginning installation.
- Verify speaker compatibility with your vehicle's existing speaker openings and wiring. Refer to the dimensional drawing below.
- Gather necessary tools, which may include screwdrivers, wire strippers, crimping tools, and electrical tape.

4.2 Mounting the Speakers

1. Carefully remove the existing speakers from their mounting locations.
2. If necessary, use the provided mounting hardware to secure the new TS-G4620S speakers into the speaker openings. The shallow mounting depth facilitates easy fitment in many vehicles.
3. Ensure the speakers are securely fastened to prevent vibration and ensure proper sound reproduction.

4.3 Wiring Connections

1. Connect the speaker wires to the corresponding terminals on the TS-G4620S speakers. Pay attention to polarity (positive to positive, negative to negative) to ensure correct phase and sound quality.
2. Use the provided wire extensions if additional length is required. Ensure all connections are secure and insulated to prevent short circuits.
3. Connect the speaker wires to your car's audio system (e.g., head unit or amplifier).



Image 4.1: Dimensional drawing of the TS-G4620S speakers, showing measurements for installation planning.

5. OPERATION

Once installed, the Pioneer TS-G4620S speakers operate in conjunction with your car's head unit or amplifier. No specific operational controls are present on the speakers themselves.

5.1 Initial Sound Check

1. Reconnect the vehicle's battery.
2. Turn on your car's audio system at a low volume.
3. Verify that sound is coming from all installed speakers and that there is no distortion or unusual noise.

4. Gradually increase the volume to ensure proper function across different levels.

5.2 Audio Settings

Adjust the audio settings (bass, treble, balance, fader) on your car's head unit to optimize the sound output according to your preferences. The TS-G4620S speakers are designed to deliver balanced sound with smooth treble.

6. MAINTENANCE

Proper maintenance ensures the longevity and optimal performance of your Pioneer TS-G4620S speakers.

- **Cleaning:** Use a soft, dry cloth to gently wipe the speaker grilles and cones. Avoid using harsh chemicals or abrasive cleaners, which can damage the speaker materials.
- **Environmental Protection:** While the speakers are designed for automotive use, avoid exposing them to excessive moisture, extreme temperatures, or direct sunlight for prolonged periods, as these can degrade performance and lifespan. Note that the speakers are not water resistant.
- **Secure Mounting:** Periodically check that the speakers remain securely mounted. Loose speakers can vibrate, causing distortion and potential damage.

7. TROUBLESHOOTING

If you encounter issues with your Pioneer TS-G4620S speakers, refer to the following common troubleshooting steps:

Problem	Possible Cause	Solution
No sound from speakers	Loose or incorrect wiring connections; Head unit/amplifier off or muted; Blown fuse in audio system.	Check all wiring connections for security and correct polarity. Ensure head unit/amplifier is on and not muted. Inspect and replace any blown fuses in your audio system.
Distorted or poor sound quality	Incorrect audio settings; Overpowering speakers; Loose mounting; Damaged speaker cone.	Adjust bass, treble, and other audio settings on your head unit. Ensure amplifier gain is not set too high. Check speaker mounting for tightness. Inspect speaker cones for visible damage.
Sound only from one side	Balance setting incorrect; Loose wiring on one speaker; Faulty speaker.	Check the balance setting on your head unit. Inspect wiring for the affected speaker. If issues persist, the speaker may be faulty.

If these steps do not resolve the issue, please contact Pioneer customer support or a qualified car audio technician.

8. SPECIFICATIONS

The following table outlines the key specifications for the Pioneer TS-G4620S 4" x 6" 2-Way Car Speakers:

Specification	Value
---------------	-------

Specification	Value
Brand	PIONEER
Model Number	TS-G4620S
Speaker Type	Coaxial, 2-Way
Speaker Size	4 Inches x 6 Inches (Oval)
Maximum Output Power	200 Watts
Continuous Power Handling	30 Watts
Frequency Response	35 Hz to 22 kHz
Sensitivity	89 dB
Impedance	4 Ohms
Woofer Diameter	4 Inches
Tweeter Diameter	30 Millimeters
Mounting Type	Flush Mount
Enclosure Material	Rubber
Color	Black
Item Weight	1.5 Pounds
Item Dimensions (D x W x H)	2.13"D x 6.25"W x 4"H
Power Source	Corded Electric (12 Volts DC)
Water Resistance Level	Not Water Resistant
Compatible Devices	Radio
Compatible Vehicle Type	Car, Motorcycle, Truck

9. WARRANTY AND SUPPORT

The Pioneer TS-G4620S speakers come with a **1-year limited warranty** from the date of purchase. This warranty covers manufacturing defects under normal use. Please retain your proof of purchase for warranty claims.

For technical support, warranty service, or further inquiries, please contact Pioneer customer service through their official website or the contact information provided with your product packaging. You may also visit the [Pioneer Brand Store on Amazon](#) for additional resources.

