

## Eyoyo EF09RBO

# Eyoyo EF09RBO 9-inch Underwater Fishing Camera User Manual

Model: EF09RBO

## 1. INTRODUCTION

---

The Eyoyo EF09RBO is a portable underwater fishing camera system designed to enhance your fishing experience by providing clear underwater visibility. This system includes a 9-inch LCD monitor, a 1000TVL waterproof camera with a 30-meter cable, a rechargeable battery, and DVR recording capabilities. It is suitable for various fishing environments, including ice, boat, and lake fishing.



Image 1.1: The Eyoyo EF09RBO Underwater Fishing Camera system.

Key features include:

- **9-inch TFT Color Monitor:** Provides a clear, large display of underwater footage, even in bright sunlight, thanks to its removable sun visor.
- **Long Battery Life:** Equipped with a 4500mAh rechargeable battery, offering 6-8 hours of continuous operation.
- **Infrared Night Vision:** Features 12 infrared lights for clear visibility in low-light conditions.
- **DVR Recording:** Allows recording of fishing adventures to an included 8GB TF card.
- **Durable and Waterproof:** IP68 waterproof camera with a reinforced 30-meter cable for reliable use in various aquatic environments.

## 2. PACKAGE CONTENTS

Please verify that all items are present in your package:

- 1 x 9-inch Monitor
- 1 x 1000TVL Camera with 30m Cable
- 1 x 4500mAh Battery
- 1 x Battery Charger
- 1 x Float Accessories

- 1 x Plastic Ring Set
- 1 x Metal Clip Set
- 1 x Power Adapter
- 1 x Sunshade
- 1 x User Manual
- 1 x Ice Fishing Rod (if included in your specific package)

## Complete Kit in One Box

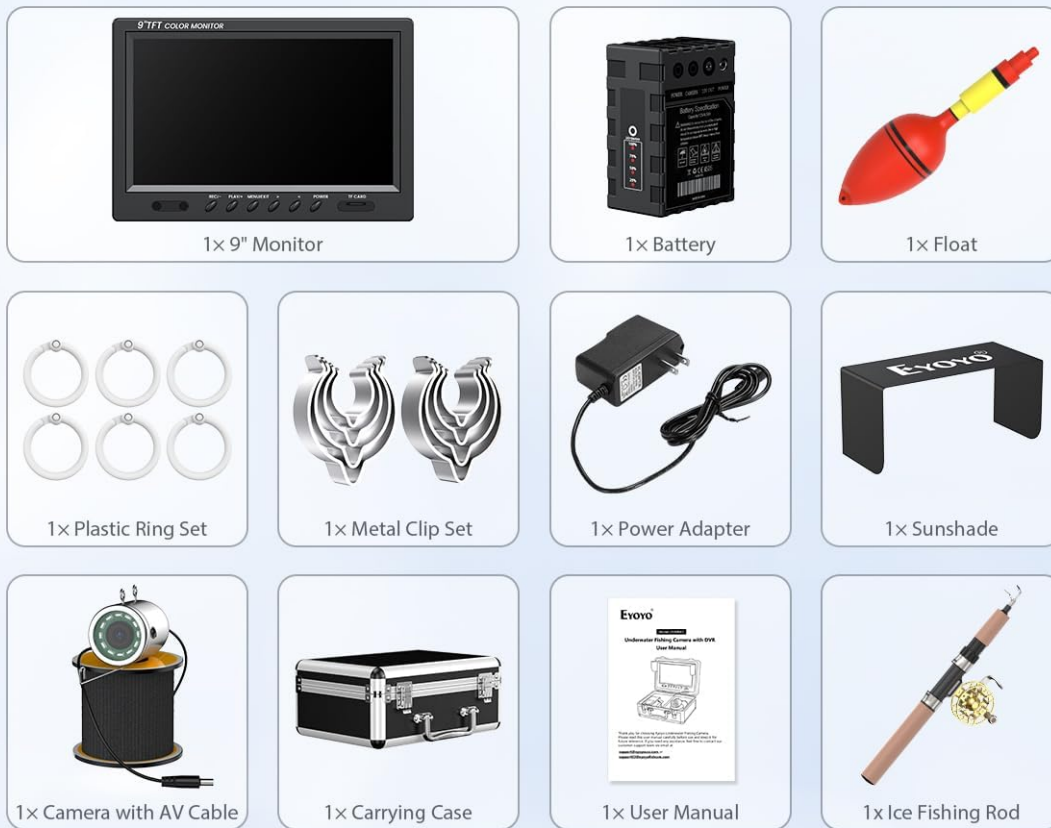
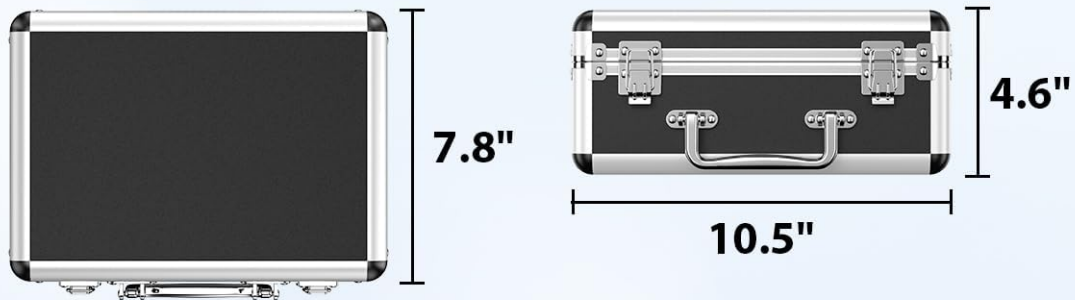


Image 2.1: All components of the Eyoyo EF09RBO kit.

### 3. SETUP

Follow these steps for initial setup:

1. **Charge the Battery:** Connect the provided battery charger to the 4500mAh battery and a power outlet. Ensure the battery is fully charged before first use. The battery indicator lights will show the charging status.
2. **Connect the Camera:** Plug the camera cable into the designated camera input port on the monitor unit.
3. **Connect the Battery:** Connect the battery output cable to the power input port on the monitor unit.
4. **Insert TF Card (for DVR models):** If your model includes DVR functionality, insert the 8GB TF card into the TF card slot on the monitor.
5. **Attach Sunshade:** Secure the removable sunshade to the monitor for improved visibility in bright conditions.
6. **Power On:** Press the 'POWER' button on the monitor to turn on the system.

## Plug & Play

Start Fishing in Seconds



## 4. OPERATING INSTRUCTIONS

### 4.1 Monitor Functions

The 9-inch TFT color monitor provides a clear display and control interface:

# 9" Larger LCD Monitor

See More Clearly



500:1 Contrast Ratio



500cd/m2 Brightness



16:9 Widescreen

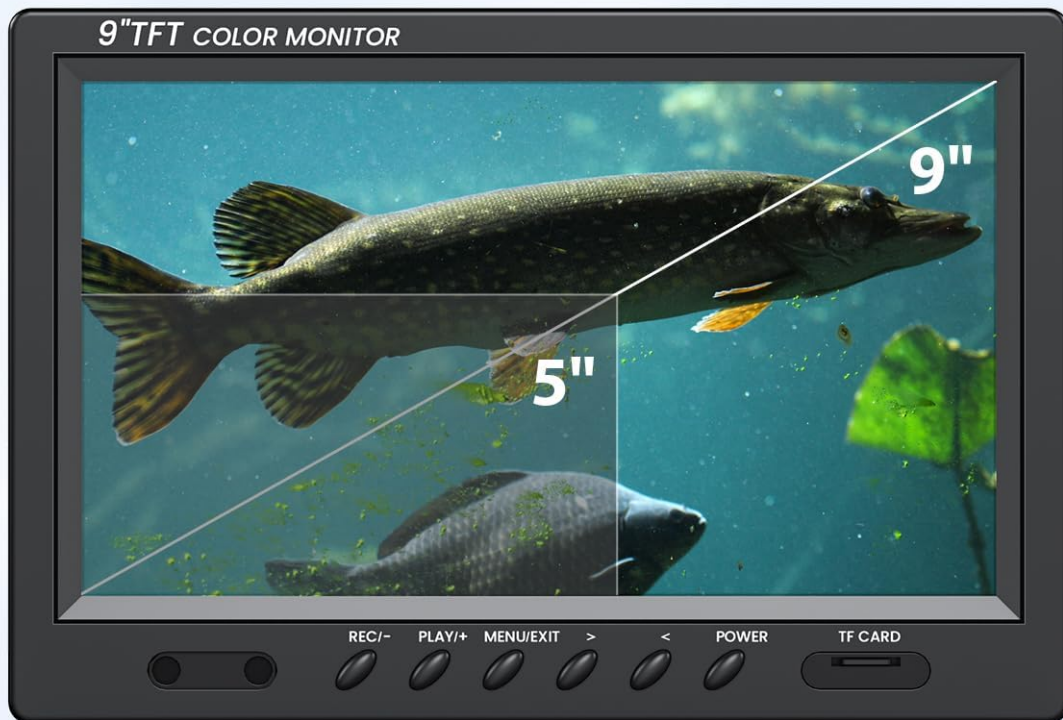


Image 4.1: The 9-inch TFT Color Monitor.

- **Power Button:** Turns the monitor on/off.
- **Menu/Exit Button:** Accesses the menu settings and exits current menus.

- **REC/- Button:** Initiates/stops recording (for DVR models) or navigates menu options.
- **PLAY/+ Button:** Plays back recorded footage or navigates menu options.
- **TF Card Slot:** For inserting the Micro SD card for DVR recording.

## 4.2 Camera Deployment

The camera can be deployed in various orientations:

- **Vertical Viewing:** Use the provided float accessories to suspend the camera vertically in the water.
- **Horizontal Viewing:** Attach the metal clip set to orient the camera horizontally.

The IP68 waterproof camera is designed for depths up to 30 meters (98 feet). Its sealed lens and reinforced cable ensure durability.

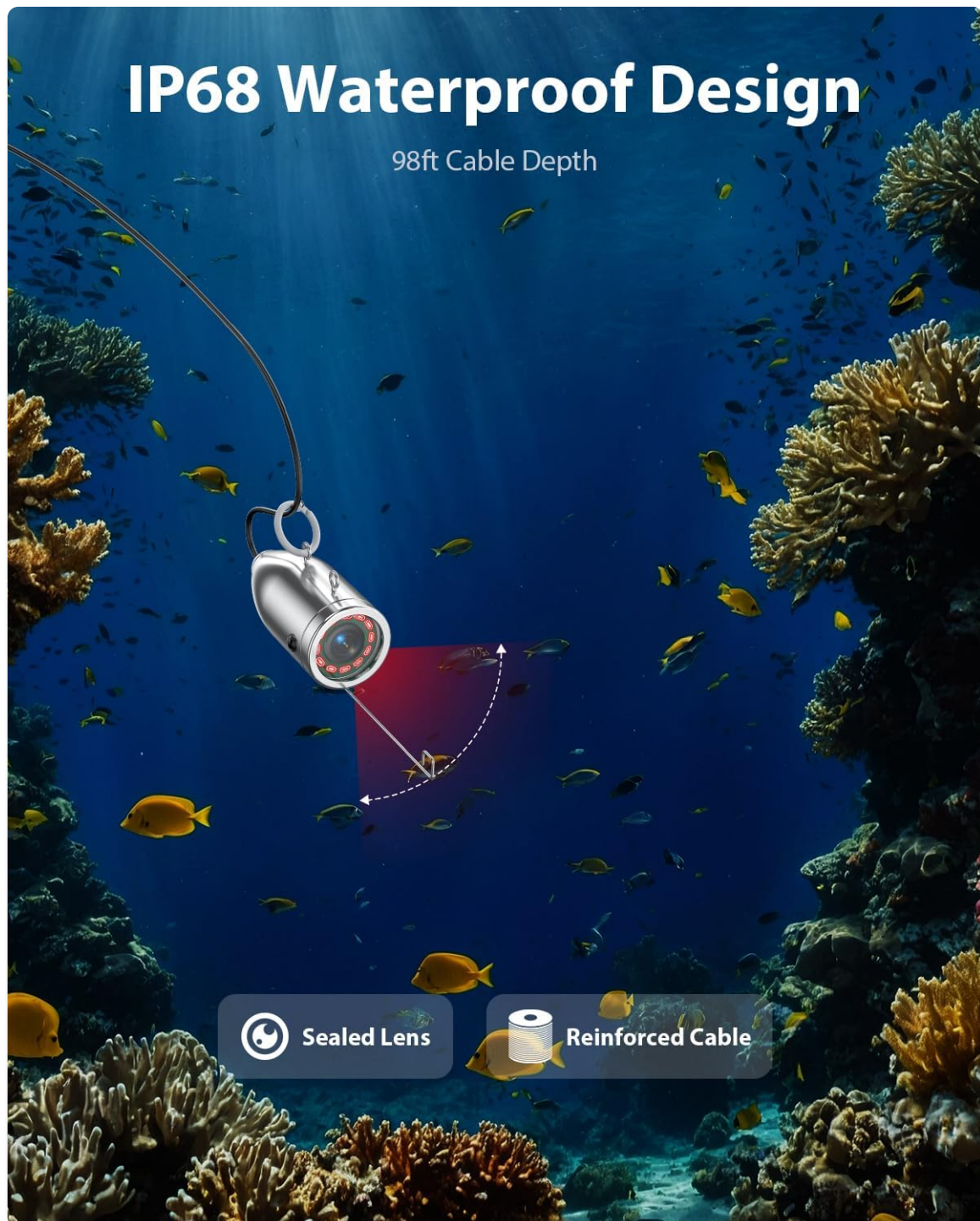


Image 4.2: IP68 Waterproof Camera Design.

## 4.3 DVR Recording

To record your underwater observations:

1. Ensure a formatted TF card (8GB included) is inserted into the monitor's TF card slot.
2. Press the 'REC/-' button to start recording. A recording indicator will appear on the screen.
3. Press the 'REC/-' button again to stop recording.
4. To review footage, press the 'PLAY/+' button.

# Record with One Touch

8 Hours of Continuous Use



Image 4.3: DVR Recording Function.

## 4.4 Night Vision

The camera is equipped with 12 infrared (IR) lights for enhanced visibility in dark or murky water conditions. The IR lights automatically activate in low light or can be manually controlled via the system settings (if applicable to your model). This feature allows for clear viewing during early morning, evening, or deep-water fishing.

# Night Vision Enabled

12 IR Lights

IR ON



IR OFF



Image 4.4: Night Vision Enabled with IR Lights.

## 5. MAINTENANCE

- **Cleaning:** After each use, gently wipe the camera lens and monitor screen with a soft, damp cloth. Avoid abrasive cleaners.
- **Storage:** Store the system in its carrying case in a cool, dry place away from direct sunlight and extreme temperatures.
- **Battery Care:** For optimal battery life, fully charge the battery before long-term storage and recharge it every 3-6 months if not in use.
- **Cable Inspection:** Regularly inspect the camera cable for any signs of wear, cuts, or damage.

## 6. TROUBLESHOOTING

Problem	Possible Cause	Solution
No image on monitor	Power off, loose connections, low battery, camera malfunction.	Ensure unit is powered on. Check all cable connections. Charge the battery. If problem persists, contact support.
Poor image quality	Murky water, dirty camera lens, incorrect monitor settings.	Clean the camera lens. Adjust monitor brightness/contrast settings. Use IR lights in low light.
DVR not recording	No TF card, full TF card, unformatted TF card.	Insert a TF card. Delete old files or use a new/larger TF card. Format the TF card via monitor settings.
Short battery life	Battery not fully charged, aged battery.	Ensure battery is fully charged before use. Consider replacing the battery if it no longer holds a charge.

## 7. SPECIFICATIONS

Feature	Detail
Model Number	EF09RBO
Monitor Size	9 inches
Camera Resolution	1000TVL
Cable Length	30 meters (98 feet)
Waterproof Rating	IP68
Night Vision	12 IR Infrared Lights
Battery Capacity	4500mAh
Battery Life	6-8 hours (continuous use)
DVR Function	Yes
Storage Media	Micro SD Card (8GB included)
Product Dimensions	11.42 x 9.45 x 5.51 inches
Item Weight	5.54 pounds

Feature	Detail
Color	Black

## 8. WARRANTY AND SUPPORT

For warranty information, technical support, or service inquiries, please refer to the warranty card included with your product or visit the official Eyoyo website. Contact details for customer service are typically provided in the product packaging or on the manufacturer's support page.

© 2025 Eyoyo. All rights reserved.