

Manuals+

[Q & A](#) | [Deep Search](#) | [Upload](#)

manuals.plus /

› [Onlyfire](#) /

› [Onlyfire Adjustable Outdoor Camping Rotisserie Grill System with DC 3V Motor, Model F2-BRK6504-CR1 Instruction Manual](#)

Onlyfire F2-BRK6504-CR1

Onlyfire Adjustable Outdoor Camping Rotisserie Grill System with DC 3V Motor

Model: F2-BRK6504-CR1

[Contents](#) [Setup](#) [Operation](#) [Safety Information](#) [Package](#) [Maintenance](#) [Troubleshooting](#) [Specifications](#) [Warranty & Support](#)

INTRODUCTION

Thank you for choosing the Onlyfire Adjustable Outdoor Camping Rotisserie Grill System. This manual provides essential information for the safe assembly, operation, and maintenance of your rotisserie grill system. Please read these instructions thoroughly before use and retain them for future reference.

SAFETY INFORMATION

- **Outdoor Use Only:** This rotisserie grill system is designed for outdoor use only. Do not operate indoors or in enclosed spaces.
- **Fire Safety:** Always operate the grill system on a stable, non-combustible surface, away from flammable materials, structures, and vegetation. Keep a fire extinguisher or water source readily available.
- **Hot Surfaces:** The grill system and its components will become extremely hot during use. Use heat-resistant gloves and tools when handling. Do not touch hot surfaces with bare hands.
- **Children and Pets:** Keep children and pets away from the grill system during operation and while it is cooling down.
- **Stability:** Ensure the grill system is stable and level before placing food on the spit rod or grill grate.
- **Motor Safety:** The DC 3V motor is not waterproof. Protect it from rain and excessive moisture. Do not immerse the motor in water.
- **Weight Limit:** Do not exceed the motor's maximum load capacity of 50 lbs. Overloading can damage the motor and lead to unsafe operation.
- **Food Handling:** Follow proper food safety guidelines for cooking meat, ensuring it reaches safe internal temperatures.

PACKAGE CONTENTS

Please verify that all components are present before assembly:

- Main Frame (Legs and Vertical Posts)
- Hexagon Spit Rod (29 inches long)
- Meat Forks (2 pcs)
- Roller (1 pc)
- DC 3V Motor (1 pc)
- Motor Bracket (1 pc)
- Spit Rod Bracket (1 pc)
- Cooking Grate (24"L x 16"W)
- Adjustment Screws/Knobs

SETUP INSTRUCTIONS

Follow these steps to assemble your rotisserie grill system:

1. **Assemble the Main Frame:** Connect the horizontal base supports to the vertical posts. Ensure all connections are secure. The frame should be stable on a flat surface.
2. **Attach the Grill Grate:** Place the cooking grate onto the designated supports on the main frame. The grate measures 24 inches long by 16 inches wide.
3. **Install Motor and Spit Rod Brackets:** Attach the motor bracket to one vertical post and the spit rod bracket to the other. These brackets are adjustable for height.
4. **Insert Spit Rod:** Slide the 29-inch hexagon spit rod through the opening in the spit rod bracket and into the motor.
5. **Attach Meat Forks and Roller:** Secure the meat forks onto the spit rod. The roller can be placed on the spit rod to assist with smooth rotation, if desired.
6. **Adjust Height:** Use the simple screw adjustments on the vertical posts to set the desired height for both the grill grate and the rotisserie spit rod above your heat source.

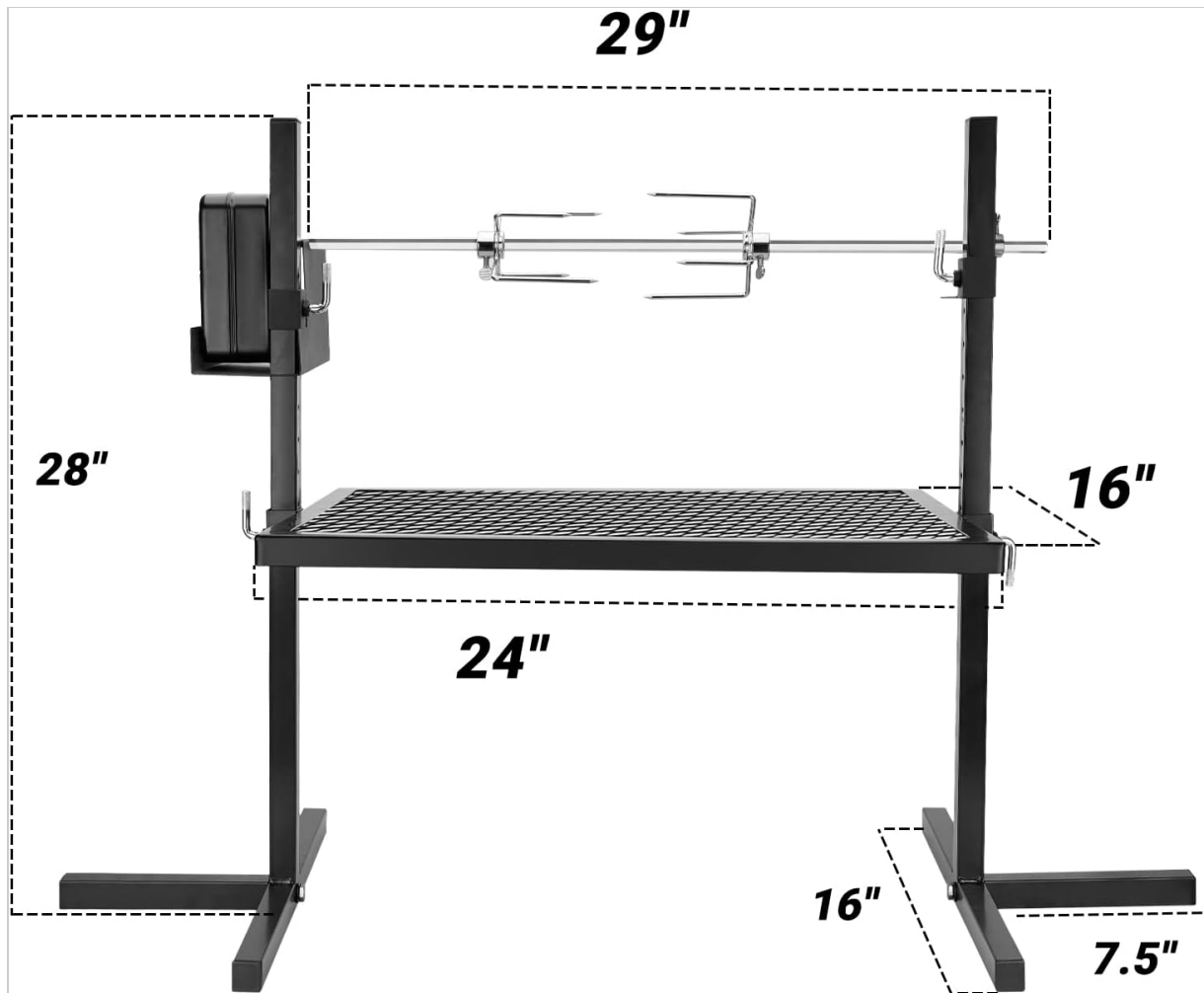


Figure 1: Assembled rotisserie grill system with key dimensions. The overall height is approximately 28 inches, spit rod length is 29 inches, and the cooking grate is 24 inches by 16 inches.

ADJUSTABLE MOTOR BRACKET

ADJUST THE HEIGHT ACCORDING TO YOUR NEEDS.

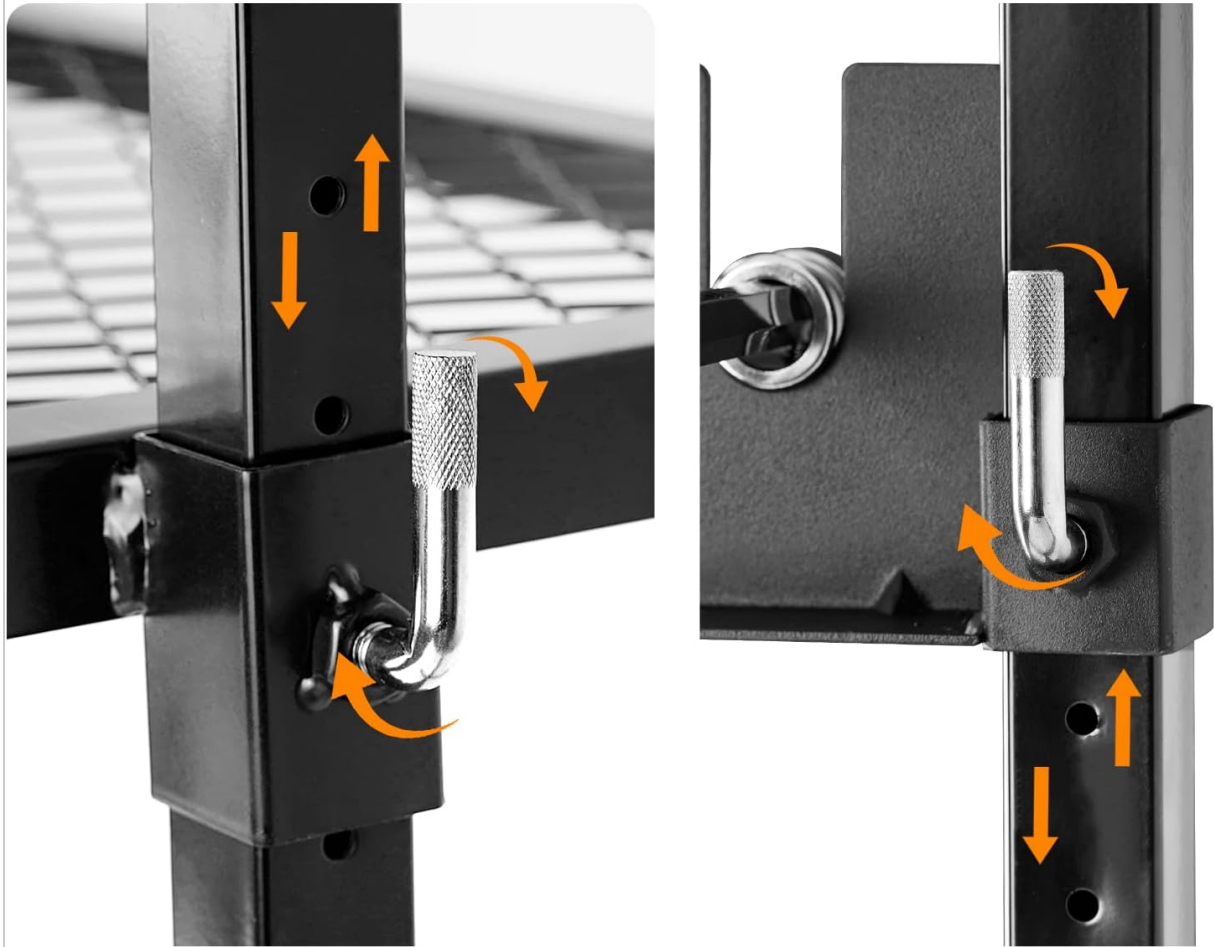


Figure 2: Close-up view of the adjustable motor bracket, showing how to loosen and tighten the screw to change the height of the rotisserie spit rod.

OPERATING INSTRUCTIONS

1. Motor Battery Installation

The DC 3V motor requires two D-cell batteries (not included). Open the battery compartment on the motor, insert the batteries according to the polarity indicators, and close the compartment securely.

2. Preparing Food for Rotisserie

- **Secure Food:** Skewer your food (e.g., chicken, roast) onto the hexagon spit rod.
- **Use Meat Forks:** Insert the meat forks into the food from both ends and tighten the thumbscrews to hold the food firmly in place. This prevents the food from spinning freely on the rod.
- **Balance the Load:** It is crucial to balance the food evenly on the spit rod. An unbalanced load can cause the motor to strain, rotate unevenly, or stop. Adjust the position of the food and meat forks until the spit rod rotates smoothly without significant wobbling.

3. Starting the Rotisserie

Once the food is secured and balanced, ensure the spit rod is properly seated in the motor and the opposing bracket. Turn on the motor using its power switch. The motor will begin to rotate the spit rod, providing even cooking over your heat source.

4. Using the Grill Grate

The cooking grate can be used simultaneously with the rotisserie or independently for grilling other items. Place it over your heat source at the desired height. Ensure the grate is stable before placing food on it.



Figure 3: The rotisserie system in operation, cooking a chicken over an open campfire. The motor provides continuous rotation for even cooking.



Figure 4: The rotisserie and grill grate being used together at a campsite, demonstrating versatile outdoor cooking options.



Figure 5: A close-up of food cooking on both the rotisserie spit and the grill grate, highlighting the system's dual functionality.

MAINTENANCE

- **Cleaning:** After each use, allow the grill system to cool completely. Clean the spit rod, meat forks, and cooking grate with warm, soapy water and a non-abrasive brush. Rinse thoroughly and dry immediately to prevent rust.
- **Motor Care:** Wipe the motor exterior with a damp cloth. Do not submerge the motor in water. Remove batteries if the motor will not be used for an extended period.
- **Storage:** Store all components in a dry place to prevent corrosion. Disassemble the system for compact storage if desired.

TROUBLESHOOTING

- **Motor Not Turning:**
 - Check if batteries are correctly installed and have sufficient charge.
 - Ensure the motor's power switch is in the 'ON' position.
 - Verify the spit rod is properly seated in the motor.

- **Uneven Rotation or Stalling:**

- The food load may be unbalanced. Adjust the food and meat forks to achieve even weight distribution.
- The load might exceed the motor's 50 lb capacity. Reduce the weight of the food.
- Check for any obstructions preventing smooth rotation.

- **Difficulty Adjusting Height:**

- Ensure adjustment screws are sufficiently loosened before attempting to move brackets.
- Clean any debris or buildup from the vertical posts that might impede movement.

SPECIFICATIONS

Model Name	Onlyfire 6504
Part Number	F2-BRK6504-CR1
Brand	Onlyfire
Material	Alloy Steel, Stainless Steel
Color	Stainless Steel
Special Feature	Portable
Fuel Type	Charcoal (for heat source)
Recommended Use	Outdoor Cooking
Spit Rod Length	29 inches (Hexagon)
Cooking Grate Dimensions	24 inches L x 16 inches W
Motor Voltage	DC 3V
Motor Load Capacity	Up to 50 lbs
Assembly Required	Yes
Item Weight	Approximately 15.65 lbs

WARRANTY & SUPPORT

For warranty information or technical support, please refer to the product packaging or contact Onlyfire customer service directly. Keep your purchase receipt as proof of purchase.