

GROHE 27922001

GROHE Tempesta Cosmopolitan 210 Thermostatic Shower System User Manual

Model: 27922001

1. INTRODUCTION

This manual provides essential information for the safe installation, operation, and maintenance of your GROHE Tempesta Cosmopolitan 210 Thermostatic Shower System. Please read these instructions carefully before installation and retain them for future reference. This system features a 210 mm overhead shower, a 100 mm hand shower with two spray patterns, and a thermostatic mixer for precise temperature control.

2. SAFETY INFORMATION

- Ensure all water supply lines are turned off before beginning installation.
- Consult a qualified plumber if you are unsure about any installation steps.
- Wear appropriate personal protective equipment (PPE) during installation.
- Check for leaks after installation and before final use.
- The thermostatic mixer is designed to prevent scalding, but always test water temperature before stepping into the shower, especially for children or individuals with sensitive skin.

3. PACKAGE CONTENTS

Verify that all components are present before starting installation:

- 210 mm Overhead Shower
- 100 mm Hand Shower
- Swiveling Shower Arm
- Thermostatic Shower Valve
- Mounting Accessories
- Instruction Manual (this document)



Figure 1: Overview of the GROHE Tempesta Cosmopolitan 210 Shower System components.

4. SETUP AND INSTALLATION

The GROHE Tempesta Cosmopolitan 210 Shower System is designed for wall mounting. Accurate measurements and secure fastening are crucial for proper function and safety. Refer to the technical diagram for precise dimensions and mounting points.

1. **Prepare the Installation Area:** Ensure the wall surface is suitable for mounting and that water supply lines (hot on the left, cold on the right) are correctly positioned and flushed.
2. **Mount the Thermostatic Mixer:** Secure the thermostatic shower valve to the wall using the provided mounting

accessories. Ensure it is level and firmly attached.

3. **Install the Shower Rail:** Attach the shower rail to the wall, aligning it with the thermostatic mixer. The rail provides support for the overhead shower and the adjustable hand shower holder.
4. **Connect the Overhead Shower:** Attach the swiveling shower arm and the 210 mm overhead shower to the top of the rail.
5. **Connect the Hand Shower:** Connect the hand shower hose to the thermostatic mixer and the 100 mm hand shower. Place the hand shower in its adjustable holder on the rail.
6. **Test for Leaks:** Slowly turn on the water supply and check all connections for leaks. Tighten any leaking connections as necessary.

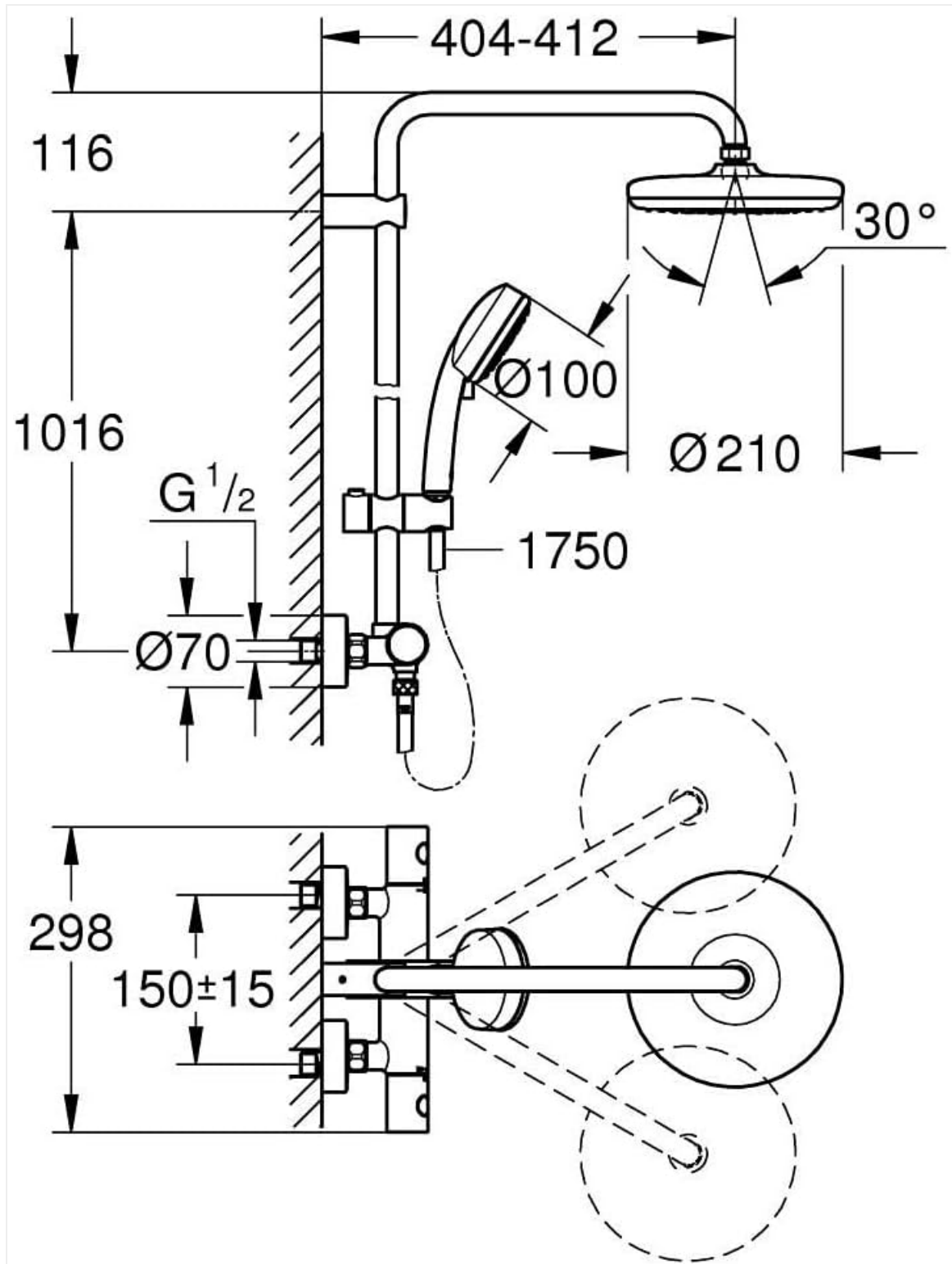


Figure 2: Technical diagram showing installation dimensions and components.



Figure 3: The shower system installed and in operation, demonstrating water flow from both shower heads.

5. OPERATING INSTRUCTIONS

Your GROHE Tempesta Cosmopolitan 210 Shower System is designed for ease of use and comfort.

5.1. Temperature Control (GROHE TurboStat)

The thermostatic mixer maintains a constant water temperature regardless of pressure fluctuations. Use the temperature control handle to set your desired water temperature.



Figure 4: Close-up view of the thermostatic mixer, showing temperature and flow controls.

5.2. Safety Stop (GROHE SafeStop)

For safety, the temperature is preset to 38°C (100.4°F). To select higher temperatures, press and hold the SafeStop button on the temperature handle while turning it. An optional GROHE SafeStop Plus limiter can be installed to prevent temperatures from exceeding 43°C (109.4°F).

5.3. Spray Pattern Selection (GROHE DreamSpray)

The hand shower offers two distinct spray patterns:

- **Rain Spray:** A soft, even spray pattern designed to mimic gentle summer rain.
- **Jet Spray:** A powerful, focused spray for a revitalizing massage or effective cleaning.

Switch between the overhead shower and hand shower, and select the hand shower's spray pattern using the diverter on the thermostatic mixer.



Figure 5: The 210 mm overhead shower delivering a consistent Rain spray.

6. MAINTENANCE

Regular cleaning and maintenance will ensure the longevity and optimal performance of your GROHE shower system.

6.1. Cleaning the Chrome Finish

Clean the chrome surfaces with a soft cloth and a mild, non-abrasive cleaning agent. Avoid using harsh chemicals, abrasive pads, or cleaners containing acids, alcohol, or chlorine, as these can damage the finish. Rinse thoroughly with clean water and dry with a soft cloth to prevent water spots.

6.2. SpeedClean Nozzles

The shower heads are equipped with SpeedClean anti-limescale nozzles. To remove limescale deposits, simply wipe the silicone nozzles with your finger or a cloth. This helps maintain consistent spray performance.

6.3. Inner WaterGuide

The Inner WaterGuide technology protects against scalding by ensuring the surface of the shower head remains cool. No

specific maintenance is required for this feature.

7. TROUBLESHOOTING

If you encounter issues with your shower system, refer to the following common problems and solutions:

Problem	Possible Cause	Solution
Inconsistent water temperature	Fluctuating water pressure; thermostatic cartridge issue.	Ensure stable water pressure. If problem persists, contact a plumber to inspect or replace the thermostatic cartridge.
Low water flow	Limescale buildup in nozzles; clogged filters; low water pressure.	Clean SpeedClean nozzles. Check and clean filters in the thermostatic mixer. Verify adequate water pressure.
Water leaking from connections	Loose connections; damaged seals.	Gently tighten connections. If leaks persist, replace seals or O-rings.
Cannot reach desired hot temperature	SafeStop engaged; hot water supply issue.	Press the SafeStop button to override the 38°C limit. Check your home's hot water supply.

For issues not listed here or if troubleshooting steps do not resolve the problem, please contact GROHE customer support or a certified plumbing professional.

8. SPECIFICATIONS

Feature	Detail
Brand	GROHE
Model Number	27922001
Color	Silver (Chrome Finish)
Material	Brass (Body), Metal (Handle)
Number of Handles	3
Product Weight	5.5 Kilograms
Mounting Type	Wall Mount
Overhead Shower Size	210 mm
Hand Shower Size	100 mm
Maximum Pressure	100000 Pascal
Country of Origin	Portugal

9. WARRANTY AND SUPPORT

For warranty information, please refer to the documentation provided with your purchase or visit the official GROHE website. If you require technical assistance, spare parts, or have any questions regarding your GROHE Tempesta Cosmopolitan 210 Shower System, please contact GROHE customer support directly or the retailer from whom you purchased the product.