

## Brondell SE400

# Brondell Swash SE400 Electric Bidet Toilet Seat

## USER MANUAL

### 1. Introduction

---

This manual provides detailed instructions for the installation, operation, maintenance, and troubleshooting of your Brondell Swash SE400 Electric Bidet Toilet Seat. Please read this manual thoroughly before installation and use to ensure proper function and safety.

### 2. Safety Precautions

---

Always follow basic safety precautions when using electrical products, especially when children are present. To reduce the risk of electric shock, electrocution, fire, or injury, ensure proper grounding and avoid contact with water. Do not attempt to repair the unit yourself. Refer all servicing to qualified personnel.

### 3. Product Features

---

The Brondell Swash SE400 Electric Bidet Toilet Seat offers a range of features designed for enhanced hygiene and comfort:

- **Advanced All-Day Clean:** One-touch auto mode and customizable wash settings.
- **Adjustable Wash Settings:** Control water pressure, oscillating nozzle, and choose between wash, massage, or pulse options.
- **Adjustable Water Temperature:** Heated water for comfortable washes.
- **Heated Toilet Seat:** Three warmth levels for comfort, especially in colder conditions.
- **Warm Air Dryer:** Five temperature levels for a gentle drying experience.
- **Illuminating LED Night Light:** Provides visibility in the dark with an on/off option.
- **Gentle-Close Lid:** Quiet operation and durable enough to sit on.
- **Self-Cleaning Stainless Steel Nozzle:** Aerated spray for gentle cleaning, retracts after use to

maintain hygiene.

- **Eco Mode:** Optional setting for energy saving.
- **User-Friendly Side-Arm Control Panel:** Intuitive controls for all functions.

## User-friendly control panel.

Easily adjust water pressure & temperature. Customize your wash with 5 nozzle positions.



*Image: Key comfort features of the Brondell Swash SE400, including heated seat, warm air dryer, and long-lasting warm water washes.*

## 4. Specifications

---

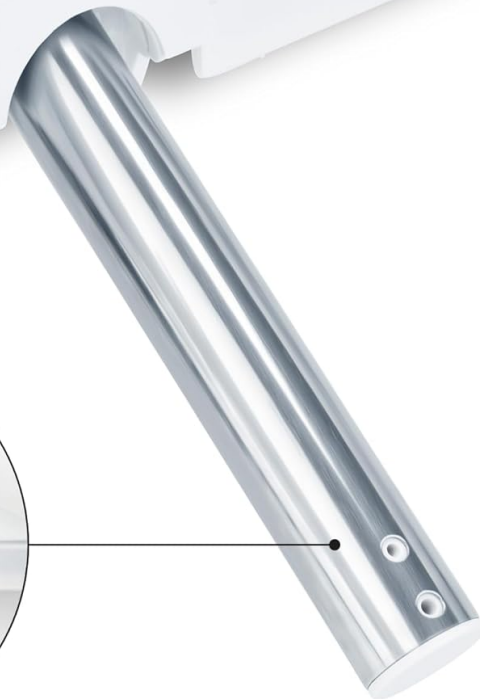
Feature	Detail
Model Number	SE400-EW
Color	White Side Arm Control
Style	Elongated
Material	Stainless Steel (Nozzle)
Product Dimensions	20.87"L x 18.5"W x 6.1"H
Item Weight	9.7 Pounds
Voltage	120 Volts
Wattage	660.00
Included Components	Bidet Hose, Bidet Seat, Flat Washer (2), Mounting Bolt (2), Mounting Plate, Nuts (2), Rubber Cone Washer (2), T-Valve Connector with Rubber Washer, Top-Mount Brackets (2)

## Self-cleaning, stainless steel nozzle.

Aerated spray cleans  
gently & effectively

Nozzle retracts to stay  
clean between uses

More durable and  
hygienic than plastic  
bidet nozzles



*Image: The Brondell Swash SE400 is designed to fit elongated toilet bowls, typically 18 inches and up from the bolt holes to the front rim.*

## 5. Installation (Setup)

---

Follow these steps for proper installation of your bidet toilet seat. Ensure you have a 4-foot power cord and a nearby electrical outlet.

1. **Remove Existing Toilet Seat:** Detach your current toilet seat from the toilet bowl.
2. **Clean Toilet:** Thoroughly clean the toilet bowl and surrounding area.
3. **Turn Off Water Supply:** Locate the water shut-off valve behind the toilet and turn it off. Flush the toilet to drain the tank.
4. **Disconnect Water Supply Line:** Unscrew the flexible water supply line from the fill valve under the toilet tank. Have a small towel ready for any residual water.
5. **Install T-Valve:** Connect the provided T-valve to the fill valve under the toilet tank. Reconnect the flexible supply line to the bottom of the T-valve.
6. **Mounting Plate Installation:** Place the mounting plate over the bolt holes on the toilet, ensuring the arrow points towards the toilet bowl. Slide the mounting bolts through the holes and secure them with washers and nuts from underneath, leaving them loose enough for adjustment.
7. **Attach Bidet Seat:** Slide the bidet seat onto the mounting plate until it clicks securely into place. Adjust the seat position for the best fit, then tighten the nuts under the toilet.
8. **Connect Bidet Hose:** Connect the bidet hose from the T-valve to the water inlet on the side of the bidet seat.
9. **Restore Water Supply:** Turn the water shut-off valve back on and check for any leaks.
10. **Power Connection:** Plug the bidet seat's power cord into a nearby GFCI (Ground Fault Circuit Interrupter) outlet. The power indicator light should illuminate.



*Image: The Brondell Swash SE400 bidet seat seamlessly integrated into a bathroom, showcasing its sleek design.*

## 6. Operating Instructions

---

The Brondell Swash SE400 features an intuitive side-arm control panel for easy operation. Ensure you are seated on the bidet seat for functions to activate, as it includes a seat sensor.

- **Power On/Off:** The unit powers on automatically when plugged in. The power indicator light will be illuminated.
- **Water Temperature:** Use the 'Water Temp' button to cycle through low, medium, and high settings for your wash water.
- **Seat Temperature:** Use the 'Seat Temp' button to adjust the heated seat to low, medium, or high.
- **Rear Wash / Front Wash:** Press the 'Rear Wash' or 'Front Wash' button to initiate the respective cleansing cycle.
- **Nozzle Position:** Use the arrow buttons next to 'Nozzle Position' to adjust the nozzle's reach during a wash cycle.
- **Water Pressure:** Use the '+' and '-' buttons next to 'Water Pressure' to increase or decrease the water spray intensity.
- **Massage / Pulse:** Activate a pulsating spray for a massage effect.
- **Oscillating Nozzle:** The nozzle moves back and forth for a wider cleaning area.

- **Dry:** After a wash, press the 'Dry' button to activate the warm air dryer. Adjust the temperature with the water pressure/dry temp buttons.
- **Night Light:** Press the 'Night Light' button to turn the gentle blue LED light on or off.
- **Eco Mode:** Press 'Eco Mode' to activate energy-saving settings.
- **Stop:** Press the 'Stop' button to end any active function.



## Adjustable water temperature.

Tank-based heating system provides long-lasting warm water washes and temperature control.

*Image: The intuitive control panel of the Brondell Swash SE400, allowing easy adjustment of water pressure, temperature, and nozzle positions.*

Gentle-glow LED nightlight.  
Improves visibility and safety at night.



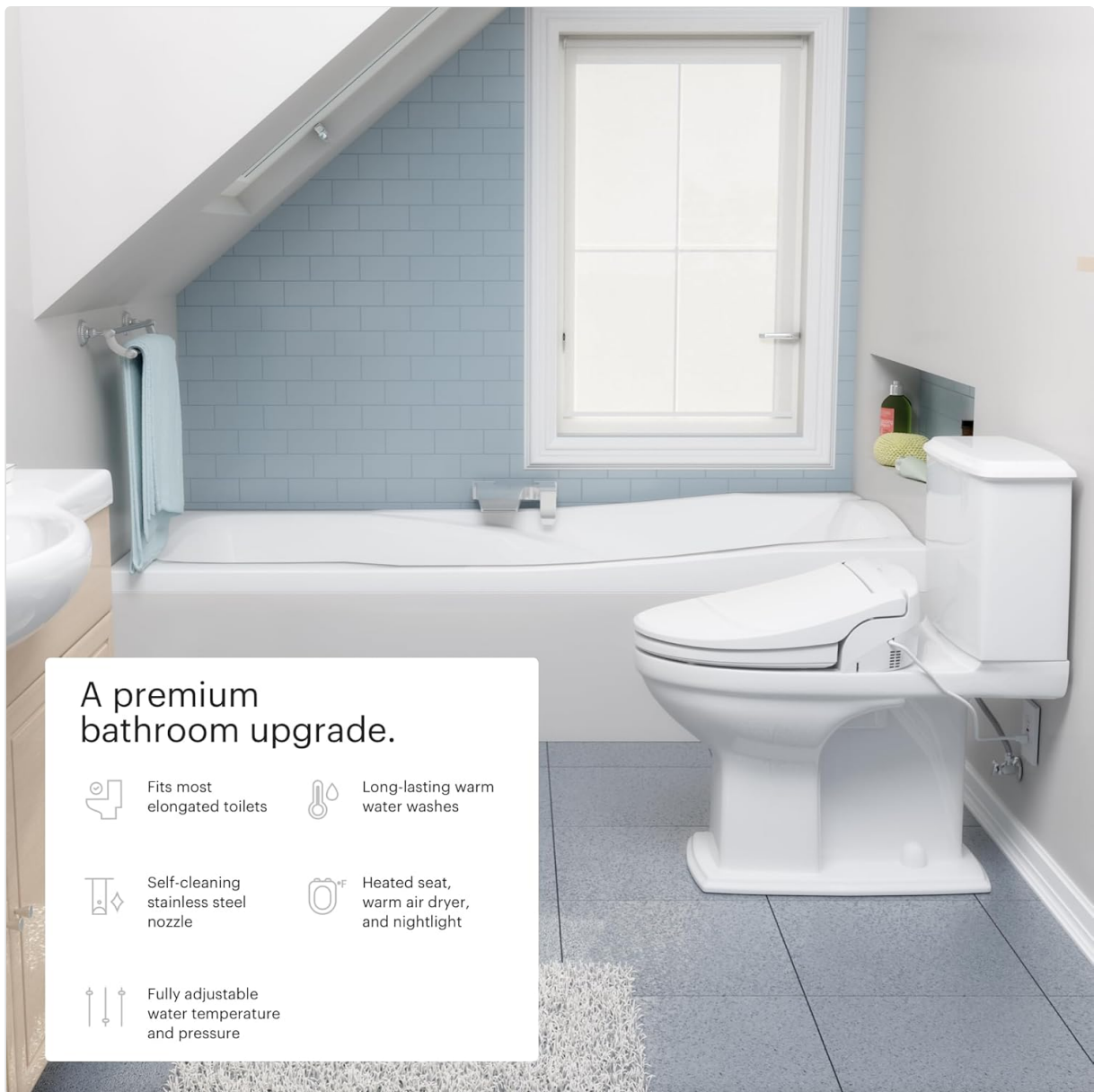
*Image: The gentle-glow LED nightlight of the Brondell Swash SE400, enhancing visibility and safety during nighttime use.*

## 7. Maintenance

---

Regular cleaning and maintenance will ensure the longevity and optimal performance of your Brondell Swash SE400.

- **Nozzle Cleaning:** The stainless steel nozzle performs a self-cleaning cycle before and after each use. For additional cleaning, you can manually extend the nozzle (refer to the full user manual for specific steps) and gently wipe it with a soft cloth and mild cleaner.
- **Exterior Cleaning:** Wipe the exterior of the bidet seat with a soft, damp cloth and a mild, non-abrasive cleaner. Avoid harsh chemicals or abrasive pads that could damage the surface.
- **Water Filter:** Periodically check and replace any inline water filters if installed, according to the filter manufacturer's recommendations.



*Image: The self-cleaning stainless steel nozzle of the Brondell Swash SE400, designed for durability and hygiene, retracting to stay clean between uses.*

## 8. Troubleshooting

If you encounter issues with your Brondell Swash SE400, refer to the following common troubleshooting tips:

- **No Power:** Ensure the power cord is securely plugged into a functional GFCI outlet. Check if the outlet has power by testing it with another device. Reset the GFCI if necessary.
- **No Water Spray:** Verify that the water shut-off valve behind the toilet is fully open. Check for kinks in the bidet hose. Ensure the seat sensor is engaged (you must be seated for the spray to activate).
- **Weak Water Spray:** Confirm the water pressure setting on the control panel is at the desired level. Check for any obstructions in the nozzle.
- **No Heated Water/Seat:** Allow 3-4 minutes for the water and seat to heat up after selecting the desired temperature. Ensure Eco Mode is not active if you desire immediate heating.
- **Leaks:** Turn off the water supply immediately. Check all connections (T-valve, supply line, bidet hose) for tightness and proper washer placement.

If these steps do not resolve the issue, please contact Brondell customer support.

## 9. Warranty Information

---

The Brondell Swash SE400 Electric Bidet Toilet Seat comes with a **1-year limited manufacturer's warranty** when purchased from an authorized seller. This warranty covers defects in materials and workmanship under normal use. For specific terms and conditions, please refer to the warranty documentation included with your product or visit the official Brondell website.

Returns are typically accepted within 30 days for refund or replacement, subject to seller's policy.

## 10. Customer Support

---

For further assistance, technical support, or warranty claims, please contact Brondell customer service. Contact information can typically be found on the Brondell website or in the product packaging.