

FORTSTRONG FS-1306

FORTSTRONG FS-1306 Residential Hydraulic Automatic Door Closer Instruction Manual

Model: FS-1306 | Brand: FORTSTRONG

1. INTRODUCTION

This manual provides detailed instructions for the installation, adjustment, and maintenance of your FORTSTRONG FS-1306 Residential Hydraulic Automatic Door Closer. Designed for metal, wood, and fiberglass doors weighing between 88 and 143 pounds, this UL Listed and ADA compliant door closer ensures consistent, secure, and soft closure for both left and right-handed doors.

Key Features:

- **UL Listed & ADA Compliant:** Certified for safety and accessibility.
- **Durable Construction:** Built for enduring performance in residential and light commercial settings.
- **Fully Adjustable:** Two independent valves for swing and closure speed adjustment, plus a fully adjustable arm.
- **Easy Installation:** Includes a detailed guide and full-size fitting template.
- **Versatile Use:** Ideal for home use, interior garage doors, and other internal doors.

2. PACKAGE CONTENTS & REQUIRED TOOLS

Package Contents:

- 1 x FORTSTRONG FS-1306 Door Closer
- 1 x Connecting Arm
- 1 x Connecting Arm Nut
- 6 x Wood/Metal Screws

- 1 x End Cap
- 1 x User Manual with Fitting Template

Required Tools (Not Included):

- Tape Measure
- Pencil
- Protective Eyewear
- Phillips Screwdriver
- Drill
- 1/8" Drill Bit

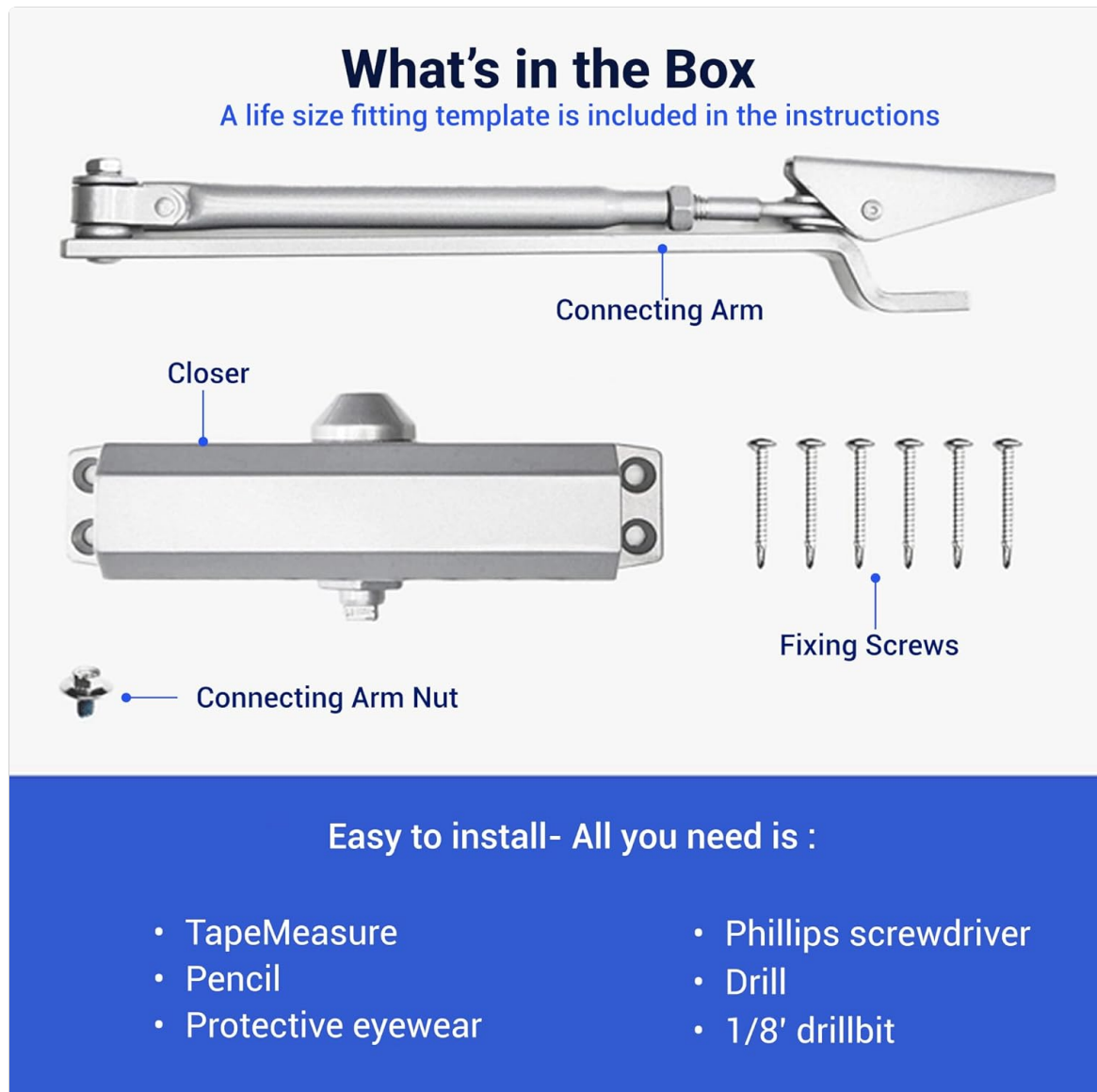


Figure 1: Package contents and required tools for installation.

3. SAFETY INFORMATION

Always wear protective eyewear during installation. Incorrect installation can be hazardous and may lead to property damage or injury. If you are unsure about any step, it is recommended to consult a properly trained professional. Do not overtighten screws or over-twist adjustment valves, as this can damage the unit.

4. INSTALLATION INSTRUCTIONS

The FS-1306 door closer is designed for horizontal installation only. A full-size fitting template is included to assist with accurate placement.

Installation Steps:

1. **Attach the Arm:** Loosely attach the connecting arm to the door closer body using the connecting arm nut.
2. **Mark Drill Holes:** Hold the provided fitting template against the edge of the door. Use a pencil to mark the locations for drilling, perforating the template as needed. Ensure the template is correctly oriented for your door's swing direction (left or right-handed).
3. **Drill Holes:** Carefully drill all six marked holes using a drill and a 1/8" drill bit. Four holes are for the main door closer body, and two are for the fixing arm.
4. **Mount the Closer:** Fix the door closer body to the door using the provided screws. Ensure the power adjustment valves face the hinge side of the door.
5. **Attach Fixing Arm:** Join the fixing arm to the door frame using the remaining screws.
6. **Adjust Arm Angle:** Adjust the arm to be at a 90-degree angle to the front corner of the door.
7. **Tighten Screws:** Fix all screws tightly, but do not overtighten them.
8. **Test Movement:** Gently open and close the door to ensure the movement is correct and the door closer is functioning properly.

Left-handed door
After Adjustment



Right-handed door
After Adjustment

Figure 2: The FS-1306 supports three installation methods for various door configurations.

Door Swing and Closure Speed Adjustment Valves

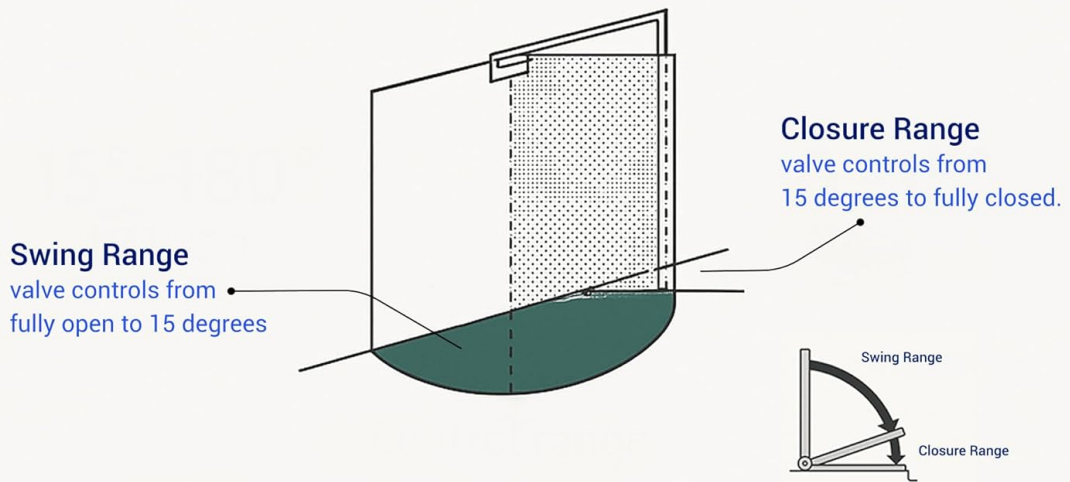
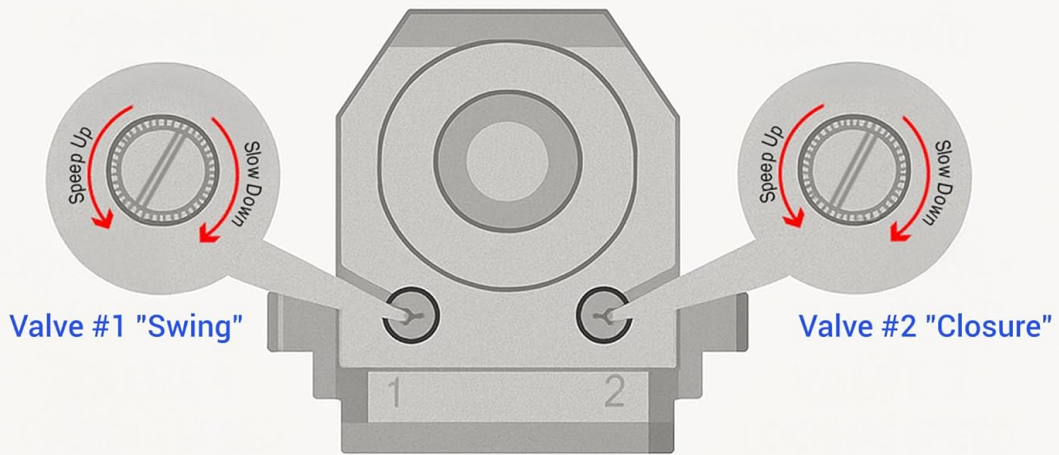


Figure 3: Proper installation for left-handed and right-handed doors.

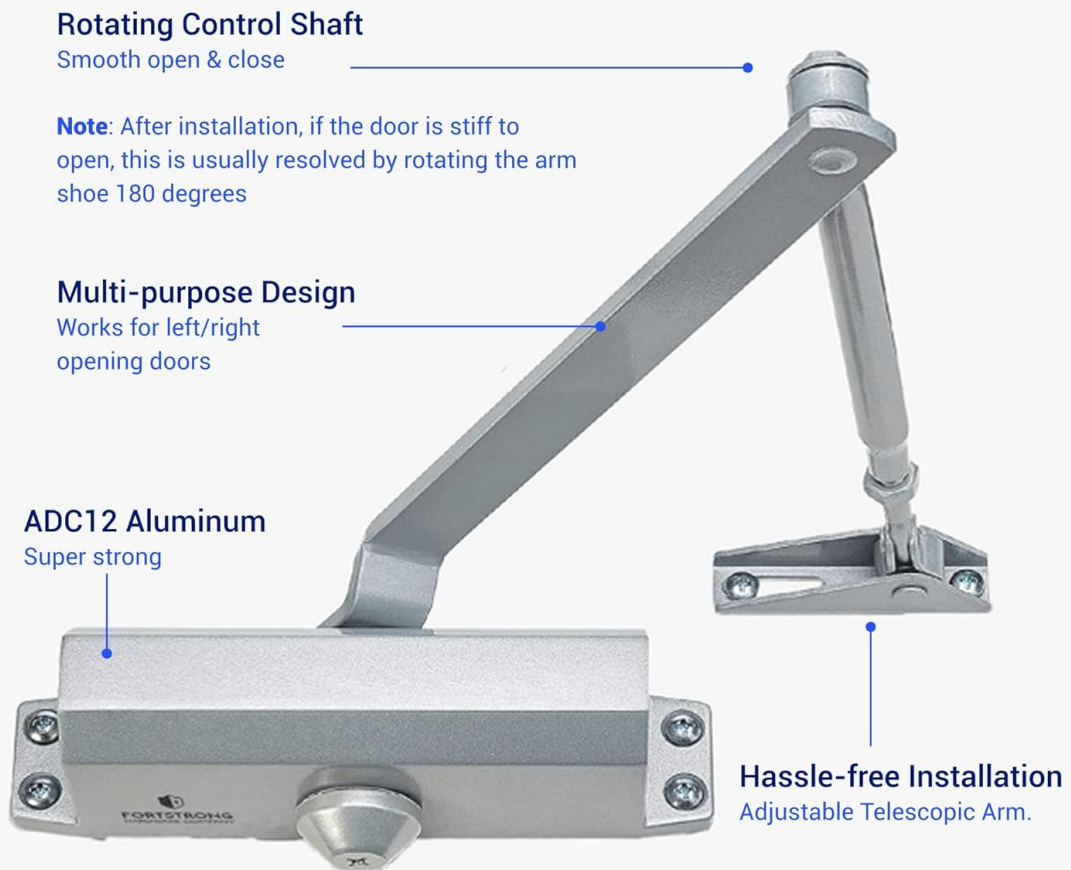


Figure 4: Key components and features of the door closer.

Installation Video:

Video 1: Detailed installation guide for the FORTSTRONG FS-1306 Door Closer.

Video 2: Another perspective on installing the FS-1306 Door Closer.

5. ADJUSTMENT (OPERATING)

The FS-1306 features two independent valves for precise control over door movement. Use a Phillips screwdriver to turn the valves. Do not over-twist the valves, as this may cause damage.

- **Valve #1 (Swing Speed):** Controls the closing speed from fully open (180 degrees) down to 15 degrees. Turn clockwise to decrease speed, counter-clockwise to increase speed.
- **Valve #2 (Closure/Latching Speed):** Controls the latching speed for the final 15 degrees of closure. Turn clockwise to decrease speed, counter-clockwise to increase speed.

Door Swing and Closure Speed Adjustment Valves

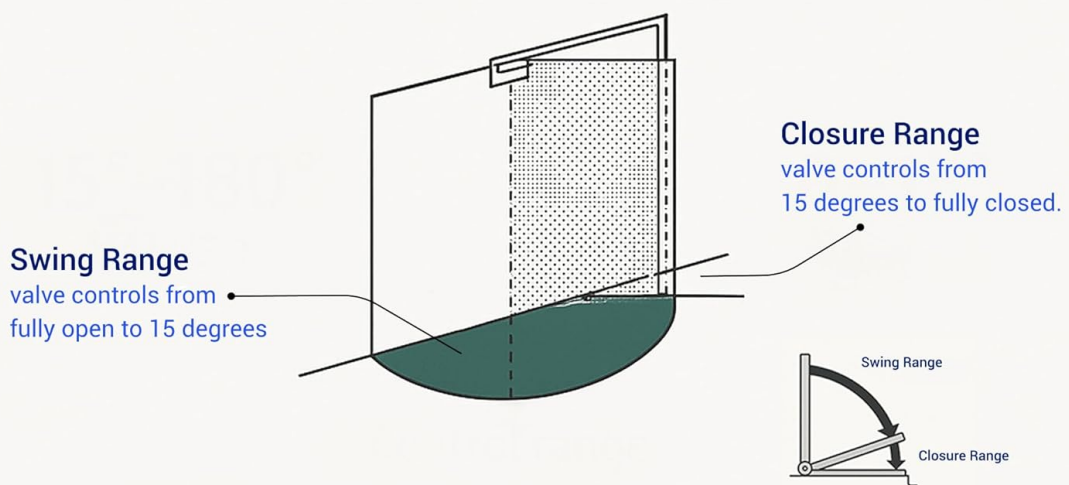
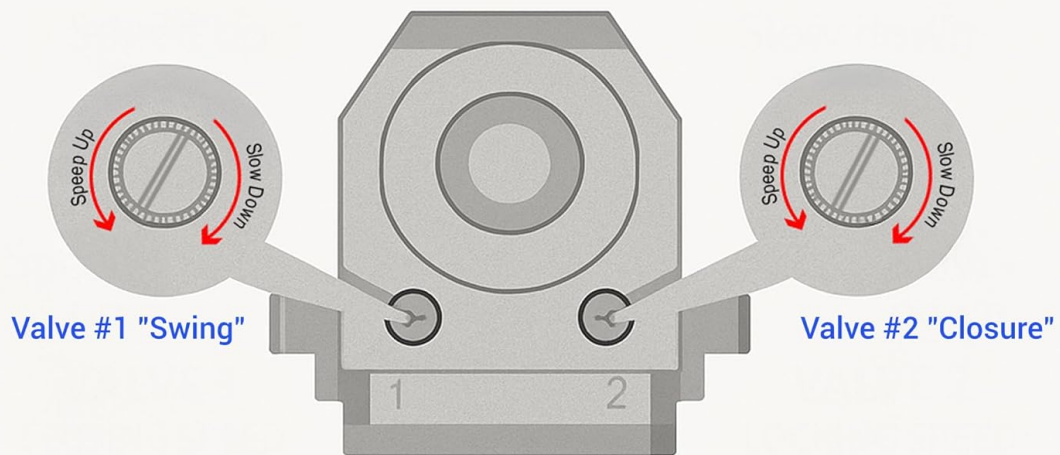


Figure 5: Location of swing and closure speed adjustment valves.

Adjustment Video:

Video 3: A short preview demonstrating the door closer in action after adjustment.

6. MAINTENANCE

The FORTSTRONG FS-1306 door closer is designed for long-term durability. Periodically check all screws to ensure they remain tight. The regulator screws for speed adjustment may require re-adjustment approximately every two years to maintain optimal performance.

7. TROUBLESHOOTING

Common Issues and Solutions:

- **Door is stiff to open after installation:** This is usually resolved by rotating the arm shoe 180 degrees. Refer to the installation guide for visual instructions.

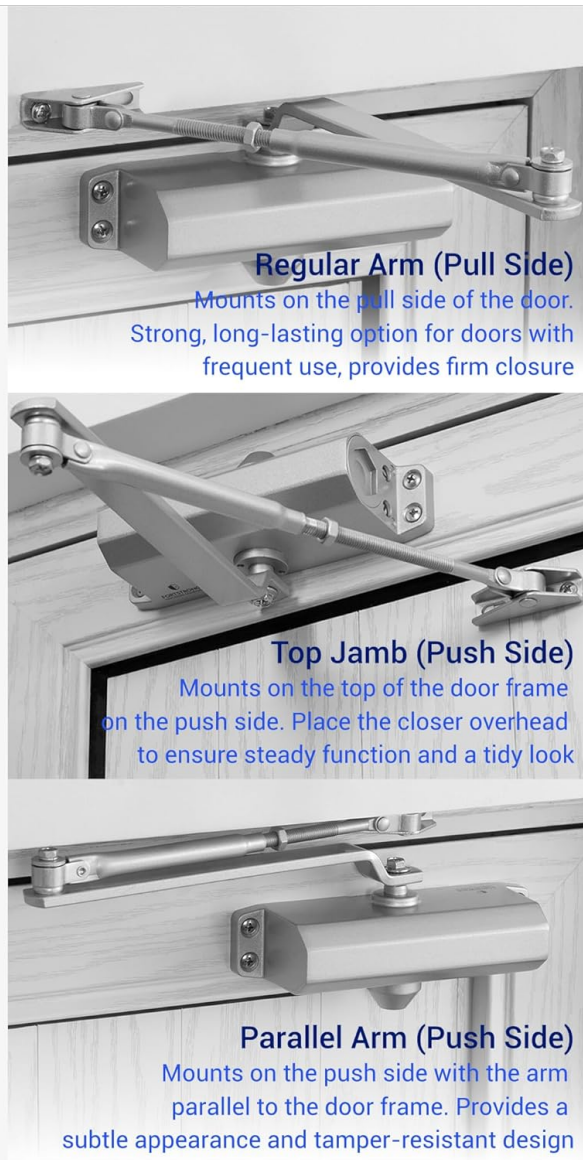
- **Door closes too fast or too slow:** Adjust Valve #1 (Swing Speed) and Valve #2 (Closure/Latching Speed) as described in Section 5.
- **Door does not close completely:** Ensure the arm is adjusted to a 90-degree angle to the front corner of the door. Check that all screws are tightened securely. Adjust Valve #2 to increase latching speed if necessary.

For further assistance, please contact FORTSTRONG technical support.

8. SPECIFICATIONS

Specification	Detail
Model Number	FS-1306 (DC1)
Item Weight	3.2 Pounds
Product Dimensions	7"L x 1.5"W x 3"H
Material	Aluminum
Color	Silver
Installation Type	Screw-In
Recommended Uses	Automatic door closer
Specification Met	ANSI, UL
Door Weight Capacity	88 - 143 pounds
Max Door Opening	180 degrees

Supports **Three** Installation Methods



Regular Arm (Pull Side)

Mounts on the pull side of the door. Strong, long-lasting option for doors with frequent use, provides firm closure

Top Jamb (Push Side)

Mounts on the top of the door frame on the push side. Place the closer overhead to ensure steady function and a tidy look

Parallel Arm (Push Side)

Mounts on the push side with the arm parallel to the door frame. Provides a subtle appearance and tamper-resistant design

Figure 6: Detailed product dimensions.

9. WARRANTY AND SUPPORT

FORTSTRONG is committed to providing quality solutions. For any technical support or warranty inquiries, please refer to the contact information provided in your product packaging or visit the official FORTSTRONG website. Our products are tested for durability and ease of use, and we offer full technical support to ensure your satisfaction.