



[Manuals.plus](#) /

> [Zephyr](#) /

> Zephyr AK1200CS 30-inch Essentials Breeze II Under Cabinet Range Hood User Manual

## Zephyr AK1200CS

# Zephyr AK1200CS 30-inch Essentials Breeze II Under Cabinet Range Hood User Manual

Model: AK1200CS | Brand: Zephyr

## 1. INTRODUCTION

This manual provides detailed instructions for the installation, operation, and maintenance of your Zephyr AK1200CS 30-inch Essentials Breeze II Under Cabinet Range Hood. Please read all instructions carefully before installation and use to ensure proper function and safety.



Image 1.1: The Zephyr AK1200CS 30-inch Essentials Breeze II Under Cabinet Range Hood in a kitchen setting.

## 2. SAFETY INFORMATION

---

Always follow basic safety precautions when using this appliance to reduce the risk of fire, electric shock, or injury to persons.


- **Electrical Safety:** Ensure the range hood is properly grounded. Disconnect power before servicing.
- **Installation:** Installation should be performed by a qualified installer or electrician. Follow all local codes and ordinances.
- **Fire Hazard:** Do not flambé under the range hood. Clean grease filters regularly to prevent grease fires.
- **Ventilation:** Ensure adequate ventilation in the room when the range hood is used simultaneously with gas-burning appliances.
- **Children:** Keep children away from the appliance during operation and cleaning.

## 3. PRODUCT FEATURES


---

The Zephyr AK1200CS Essentials Breeze II range hood is designed with several features to enhance your kitchen ventilation experience:

- **Powerful Ventilation:** Equipped with a 400 CFM motor for effective air purification.
- **Adjustable Speeds:** Features 3 fan speeds to suit various cooking needs.
- **BriteStrip LED Lighting:** Dual-level LED lighting provides clear illumination over the cooking surface.
- **Electronic Touch Controls:** Intuitive touch controls for easy operation of fan speed and lighting.
- **Auto Delay-Off:** Automatically clears residual odors and steam by running for 5 minutes after cooking, then powers down.
- **Dishwasher-Safe Filters:** Aluminum mesh filters are easily removable and washable for convenient maintenance.
- **Low-Profile Body:** Discreet design for under-cabinet installations.
- **Ducting Options:** Supports both vertical and horizontal ducting, with an optional recirculating kit available.



# ZEPHYR Breeze II



**Seamless High-Capacity Housing**  
One-piece stainless steel

**Low-Profile Body**  
A discreet, European-style, professional-looking range hood, Breeze II adds fashion to under-cabinet installations

**High-Quality Range Hood**  
Improves air quality with powerful 400CFM ventilation equipped with 3-speed electronic controls

**Dishwasher Safe Baffle Filters**  
Keep your extractor hood functioning optimally at all times – just place the ventilator filter in the dishwasher for easy maintenance

Image 3.1: Key features of the Zephyr Breeze II range hood, including low-profile body, high-quality ventilation, and dishwasher-safe baffle filters.



Image 3.2: Close-up of the 3-speed mechanical slide controls and LumiLight LED lighting with dual-level illumination.

## 4. SETUP AND INSTALLATION

Proper installation is crucial for the performance and safety of your range hood. It is highly recommended that installation be performed by a qualified professional.

### 4.1 Pre-Installation Checklist

- Verify all components are present and undamaged.
- Ensure the installation area meets the required dimensions (20.25"D x 29.94"W x 5.5"H).
- Confirm electrical supply (120 Volts) is available and meets local codes.
- Determine ducting route (vertical or horizontal) or if recirculating option will be used.

# ZEPHYR Breeze II

## Dimensions

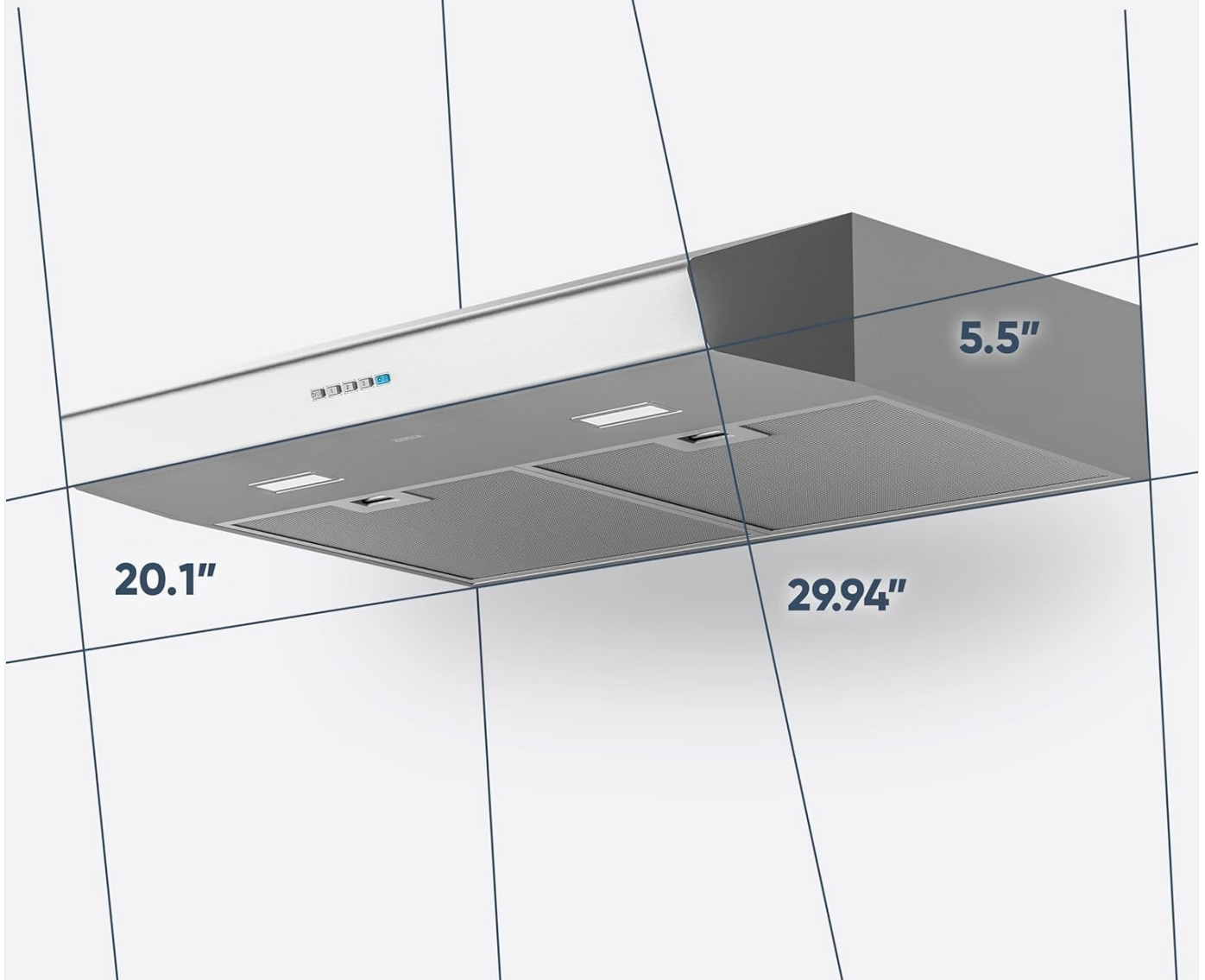


Image 4.1: Detailed dimensions of the Zephyr Breeze II range hood for installation planning.

## 4.2 Ducting Options

The range hood can be configured for vertical or horizontal ducting. For installations where external venting is not possible, an optional recirculating kit can be purchased separately.



Image 4.2: Illustration of extra-wide mesh filters, vertical or horizontal ducting, and optional ductless recirculating kit.

## 5. OPERATING INSTRUCTIONS

The Zephyr AK1200CS features user-friendly electronic touch controls located on the front panel.

### 5.1 Fan Operation

1. **Power On/Off:** Press the power button to turn the fan on or off.
2. **Adjust Fan Speed:** Select from three fan speeds (1, 2, or 3) by pressing the corresponding button. Speed 1 is for light ventilation, while Speed 3 provides maximum extraction for heavy cooking.
3. **Auto Delay-Off:** To activate the auto delay-off feature, press the timer button. The fan will continue to operate for 5 minutes before automatically shutting off.

### 5.2 Lighting Operation

- **Turn Lights On/Off:** Press the light button to toggle the BriteStrip LED lights.

- **Adjust Light Brightness:** The lights feature dual-level brightness. Press the light button repeatedly to cycle between high and low brightness settings.

## 6. MAINTENANCE AND CLEANING

---

Regular maintenance ensures optimal performance and extends the lifespan of your range hood.

### 6.1 Cleaning Aluminum Mesh Filters

1. **Removal:** Carefully unlatch and remove the aluminum mesh filters from the underside of the hood.
2. **Cleaning:** The filters are dishwasher-safe. Place them in your dishwasher for a thorough cleaning cycle. Alternatively, wash by hand with hot water and a degreasing detergent.
3. **Reinstallation:** Ensure filters are completely dry before reinserting them into the hood.

### 6.2 Exterior Cleaning

- Wipe the stainless steel exterior with a soft cloth and a non-abrasive stainless steel cleaner.
- Avoid using abrasive cleaners, steel wool, or scouring pads, as these can scratch the surface.

## 7. TROUBLESHOOTING

---

Before contacting customer service, please refer to the following common issues and solutions:

Problem	Possible Cause	Solution
Fan does not turn on.	No power supply; circuit breaker tripped; loose wiring.	Check power connection; reset circuit breaker; consult a qualified electrician.
Lights do not turn on.	Faulty LED module; loose connection.	Check connections; contact customer support for LED replacement.
Poor suction performance.	Clogged filters; improper ducting; external air pressure.	Clean or replace filters; inspect ductwork for obstructions; ensure proper makeup air.
Excessive noise.	Loose components; motor issue; improper installation.	Check for loose parts; ensure secure mounting; contact customer support if motor noise persists.

## 8. SPECIFICATIONS

---

Feature	Detail
Model Number	AK1200CS
Product Dimensions (D x W x H)	20.25" x 29.94" x 5.5"
Air Flow Capacity	400 Cubic Feet Per Minute (CFM)
Noise Level	4.5 Sones
Mounting Type	Under Cabinet Mount
Controls Type	Touch
Voltage	120 Volts

Feature	Detail
Number of Speeds	3
Light Source	LED
Wattage	240 watts
Filter Type	Mesh (Aluminum)
Ventilation Type	Exhaust (Ducting) / Recirculating (Optional)
Material Type	Stainless Steel
Item Weight	19.4 Pounds

## 9. WARRANTY AND SUPPORT

Your Zephyr AK1200CS Essentials Breeze II Under Cabinet Range Hood comes with a Full Warranty. For detailed warranty information, claims, or technical support, please refer to the official Zephyr website or contact their customer service department.

**Online Resources:** [www.zephyronline.com](http://www.zephyronline.com)

