



Manuals.plus /

› Empava /

› Empava 24" Electric Induction Cooktop User Manual

## Empava EMPV-IDC24

# Empava 24" Electric Induction Cooktop

## USER MANUAL

### 1. Safety Information

---

This section outlines important safety precautions to ensure safe operation and prevent injury or damage. Always read and understand all instructions before using the appliance.

- **Electrical Safety:** Requires 220-240 Volts wiring with a 40 amps breaker. Hard wiring is included. Ensure proper grounding and installation by a qualified electrician.
- **Hot Surface Indicator:** An "H" will appear in the surface cooking area display when elements are hot to the touch.
- **Pan Size Sensor:** Heats the element to the size of your cookware and turns off when no pan is present for safety and efficiency.
- **Child Control Lock:** Feature prevents unintended activation for added safety.
- **Cookware Compatibility:** Only use induction-compatible cookware (most stainless steel and cast iron). If a magnet sticks to the bottom of a pot or pan, it is induction friendly.
- **Surface Material:** The vitro ceramic glass surface withstands intense heat without cracking or chipping, and spills do not burn onto the surface, making it easy to clean.

### 2. Product Overview

---

The Empava 24-inch Electric Induction Cooktop (Model EMPV-IDC24) offers efficient and precise cooking with its smooth vitro ceramic glass surface and advanced induction technology. It features four booster burners and digital controls.

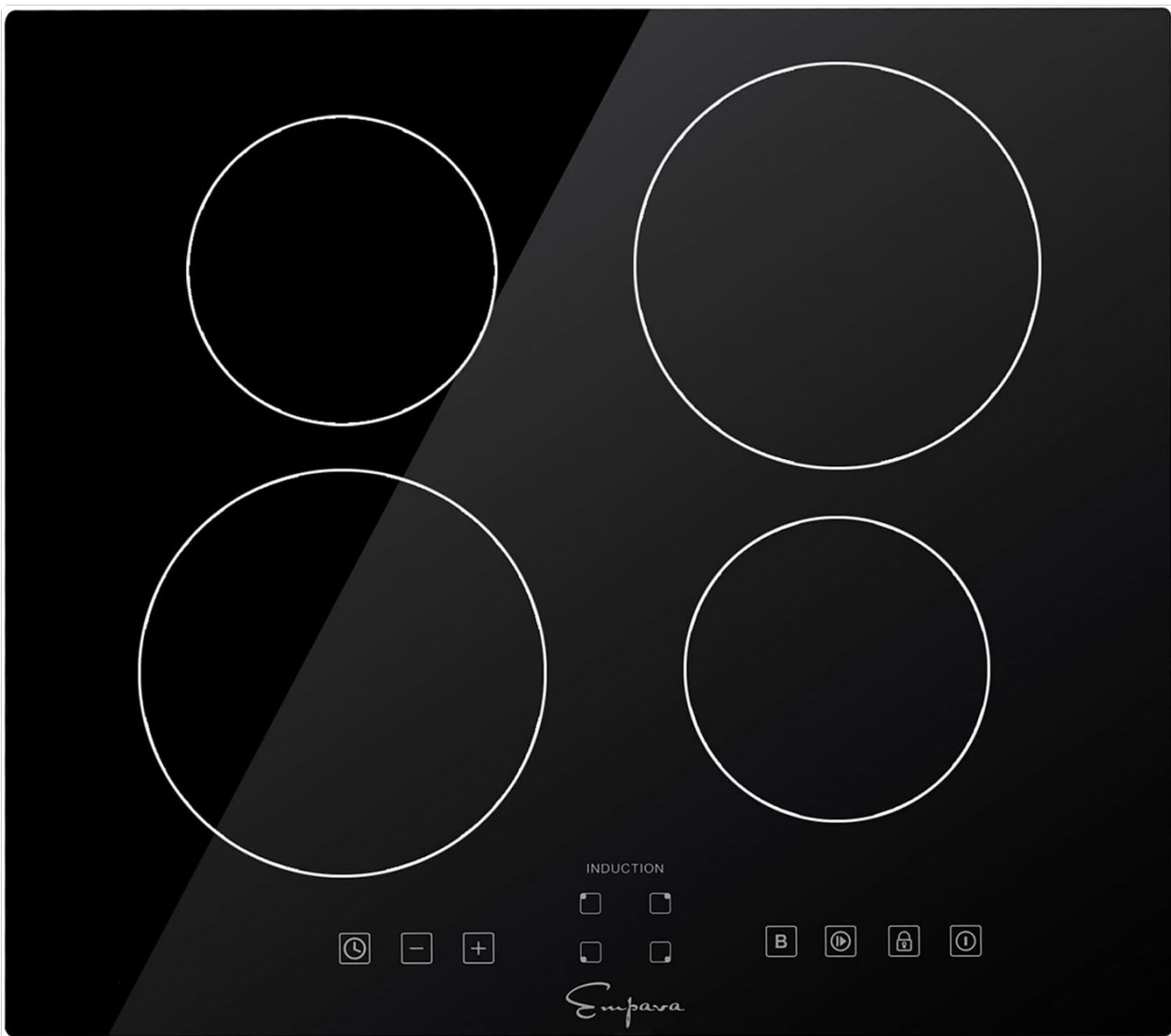


Figure 2.1: Empava 24-inch Electric Induction Cooktop - Top View. This image displays the sleek black glass surface with four induction cooking zones and touch controls at the bottom.

### Key Features:

- **Four Booster Burners:** Two 8-inch heating elements up to 2700-Watt and two 6-inch heating elements up to 2000-Watt in Power Boost Mode (up to 5 minutes).
- **Sensitive Digital Control:** Touch controls for precise temperature adjustments.
- **9 Heat Level Settings:** Allows for a range from melt to rapid boil.
- **99-Minute Timer:** Can be set to automatically turn off the selected zone.
- **Red LED Display:** Complements the sleek black glass surface for a modern look.

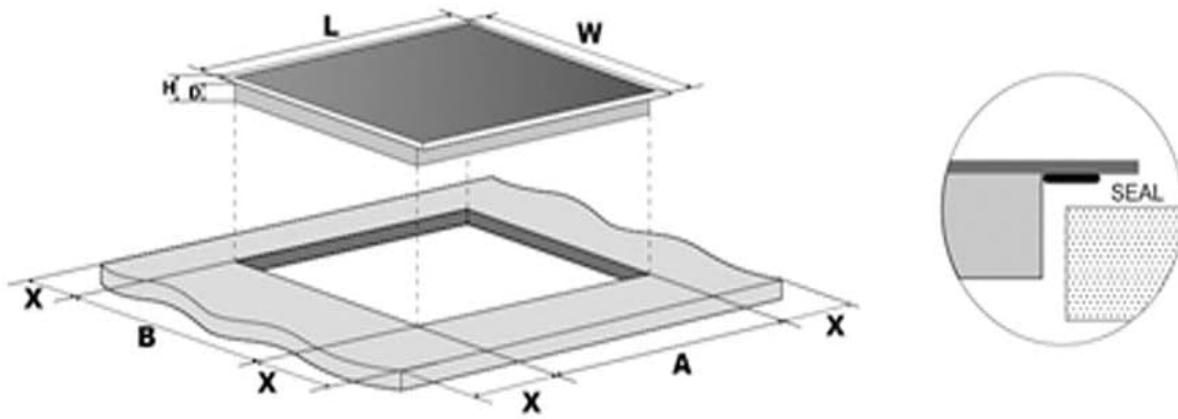
## 3. Installation

Proper installation is crucial for the safe and efficient operation of your Empava induction cooktop. It is recommended that installation be performed by a qualified professional.

### Dimensions and Cutout:

- **Product Dimensions:** 23.25 in L x 20.5 in D x 2.12 in H
- **Cutout Dimensions:** 22.5 in L x 19.5 in D

# Installation Guide



Model Number	L(inch)	W(inch)	H(inch)	D(inch)	A(inch)	B(inch)	X(inch)
EMPV-IDC12	11.42	20.47	2.28	2.13	10.63	19.29	1.97 mini
EMPV-IDC24	23.62	20.47	2.28	2.13	22.05	19.29	1.97 mini
EMPV-IDC30	29.92	20.47	2.28	2.13	28.74	19.29	1.97 mini
EMPV-IDC36	35.43	20.47	2.28	2.13	33.86	19.29	1.97 mini
EMPV-IDCF9	35.43	20.47	2.28	2.13	33.86	19.29	1.97 mini

## Safety Distance

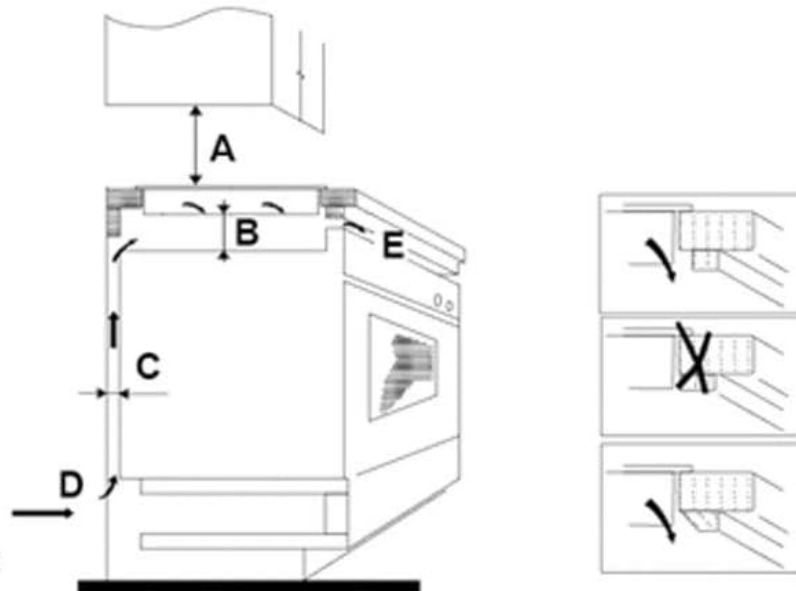
A: 29.92inch.

B: Mini 1.97inch

C: Mini 0.79inch

D: Air intake

F: Air exit 0.2inch



**Adjust the bracket position to suit for different work surface's thickness.**

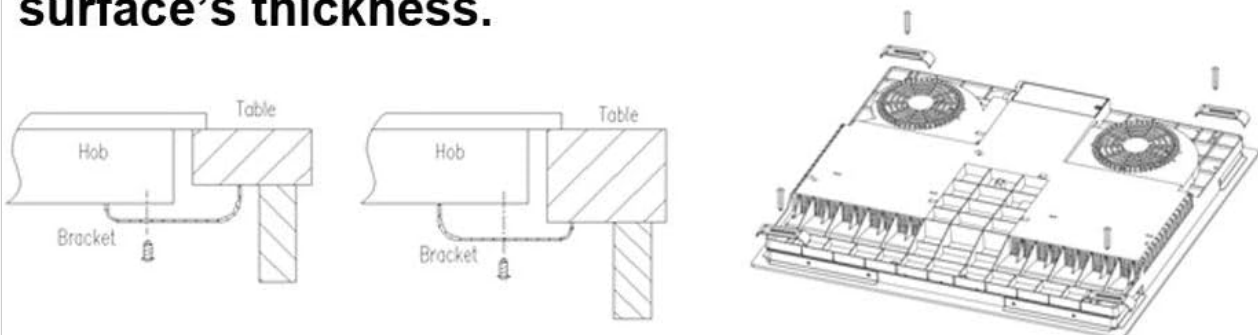


Figure 3.1: Installation Guide and Safety Distance. This diagram illustrates the required dimensions for the countertop cutout and the necessary safety clearances around the cooktop for proper ventilation.

## Electrical Requirements:

The cooktop requires 220-240 Volts wiring with a 40 amps breaker. Hard wiring is included. Ensure the electrical supply meets these requirements before installation.



*Figure 3.2: Electrical Connection. This image shows the robust electrical conduit provided for hardwiring the cooktop, emphasizing the importance of secure and compliant electrical connections.*

## 4. Operating Instructions

Your Empava induction cooktop is designed for intuitive use. Follow these steps to operate your appliance.

### Basic Operation:

1. **Power On:** Press the main power button (usually indicated by a circle with a vertical line).
2. **Select Cooking Zone:** Choose the desired cooking zone by pressing its corresponding selection button.
3. **Adjust Heat Level:** Use the '+' and '-' buttons or slide controls to set the desired heat level from 1 to 9.
4. **Power Boost Mode:** For rapid heating, select a cooking zone and activate the 'B' (Boost) function. This provides maximum power for up to 5 minutes.
5. **Set Timer:** Use the timer controls to set a cooking duration up to 99 minutes. The cooktop will automatically turn off the selected zone when the timer expires.
6. **Child Lock:** Activate the child lock feature to prevent accidental operation. Refer to the control panel for the specific lock icon.
7. **Power Off:** Press the main power button again to turn off the cooktop. Individual zones can also be turned off by reducing their heat level to '0'.



Figure 4.1: Digital Touch Controls. This image highlights the intuitive touch controls for power, heat level adjustment, boost function, and timer settings.

## 5. Cookware Compatibility

---

Induction cooktops require specific types of cookware. Ensure your pots and pans are induction-compatible for optimal performance.

### Compatible Cookware:

- Most stainless steel cookware.
- Cast iron cookware.
- Any cookware with a magnetic base. A simple test is to see if a magnet sticks to the bottom of the pot or pan.

### Incompatible Cookware:

- Aluminum, copper, glass, ceramic, or non-magnetic stainless steel cookware.

## 6. Cleaning and Maintenance

---

The smooth vitro ceramic glass surface of your Empava cooktop is designed for easy cleaning. Regular maintenance will keep your appliance looking new.

### Daily Cleaning:

- Wipe spills immediately with a damp cloth.
- For stubborn stains, use a ceramic cooktop cleaner and a non-abrasive pad.
- Avoid using abrasive cleaners, scouring pads, or harsh chemicals that can scratch or damage the surface.

### Preventing Damage:

- Do not slide heavy or rough cookware across the surface to prevent scratches.
- Avoid dropping hard objects on the glass surface.
- Ensure the cooktop is cool before cleaning to prevent burns from residual heat.

## 7. Troubleshooting

If you experience issues with your cooktop, refer to the common problems and solutions below before contacting customer support.

Problem	Possible Cause	Solution
Cooktop does not turn on.	No power supply; Child lock activated.	Check circuit breaker; Deactivate child lock by pressing and holding the lock button.
Cooking zone not heating.	Incompatible cookware; Pan not centered or too small.	Use induction-compatible cookware; Center pan on zone; Use appropriate pan size.
Clicking noise during operation.	Normal operation of induction technology.	This is normal and indicates the induction coils are working.
"Lo" or other error code displayed.	Indicates a lock mode or other operational issue.	Refer to the specific error code in the full user manual (PDF) or contact customer support.

## 8. Specifications

- **Brand:** Empava
- **Model:** EMPV-IDC24
- **Installation Type:** Built-In
- **Burner Type:** Induction
- **Heating Elements:** 4
- **Voltage:** 220-240 Volts
- **Wattage:** 2100 watts (total, with individual burner wattages up to 2700W in boost mode)
- **Material Type:** Glass (Vitro Ceramic)
- **Color:** Black
- **Product Dimensions:** 20.47"D x 23.62"W x 2.28"H
- **Item Weight:** 18 pounds

- **Special Feature:** Child Control Lock

## 9. Warranty and Support

---

Empava Appliances offers a 2-Year US-Based Manufacturer Warranty for this product. For technical assistance, warranty claims, or to purchase replacement parts, please contact Empava customer support. Refer to the full User Manual (PDF) for complete warranty details and contact information.

**Included Components:** Induction Cooktop, US Standard Power Cord, Installation Kit, Manual.