

Unox RS090

Unox Convection Oven Heater Element (RS090) Instruction Manual

Models: XF030, XF065, XF040, XF050

INTRODUCTION

This manual provides essential information for the safe and effective installation, operation, and maintenance of your Unox Convection Oven Heater Element, model RS090. This heating element is compatible with Unox hot air oven models XF030, XF065, XF040, and XF050. Please read these instructions thoroughly before installation or use.

SAFETY INSTRUCTIONS

WARNING: Risk of electric shock and burns. Installation and maintenance should only be performed by qualified personnel.

- Always disconnect the oven from the power supply before attempting any installation, maintenance, or repair.
- Wear appropriate personal protective equipment (PPE), including insulated gloves and eye protection.
- Ensure the replacement part matches the original specifications to prevent damage or malfunction.
- Do not operate the oven if the heating element is damaged or improperly installed.
- Keep children and unauthorized personnel away from the appliance during installation and operation.

SETUP AND INSTALLATION

This section outlines the general steps for replacing the heating element. Specific procedures may vary slightly depending on your oven model. Refer to your oven's service manual for detailed instructions.

1. **Power Disconnection:** Ensure the oven is completely disconnected from the main power supply. Verify with a voltage tester.

2. **Access Panel Removal:** Locate and remove the rear or side access panel of the oven to expose the heating element compartment.
3. **Disconnect Wiring:** Carefully disconnect the 6.3 mm flat connectors from the terminals of the old heating element. Note the wiring configuration if necessary.
4. **Remove Old Element:** Unscrew or unclip the flange-type fixing that secures the old heating element in place. Gently remove the element from its position.
5. **Install New Element:** Insert the new Unox RS090 heating element into the oven, ensuring the flange aligns correctly with the mounting points. Secure it using the screws or clips.
6. **Connect Wiring:** Reconnect the 6.3 mm flat connectors to the terminals of the new heating element. Ensure a secure and proper connection.
7. **Replace Access Panel:** Reattach the oven's access panel.
8. **Test:** Reconnect the oven to the power supply and perform a functional test to ensure the new heating element operates correctly.



Figure 1: Unox RS090 Convection Oven Heater Element. This image shows the circular heating element with its flange-type fixing and electrical terminals.

OPERATING PRINCIPLES

The Unox RS090 heating element is a critical component in your convection oven, responsible for generating the heat required for cooking. When electrical current passes through the resistive wire within the element, it heats up, and the oven's fan circulates this hot air evenly throughout the cooking chamber. This ensures consistent and efficient cooking results.

The element is designed for 230V operation and has a power output of 1260W, providing rapid heating and temperature recovery.

MAINTENANCE

Regular inspection of the heating element can help prolong its lifespan and ensure optimal oven performance.

- **Visual Inspection:** Periodically, when the oven is cool and disconnected from power, inspect the heating element for any signs of damage, such as cracks, discoloration, or corrosion.

- **Cleaning:** If any food debris or grease accumulates on the element, gently clean it with a soft brush or cloth. Avoid using abrasive cleaners or sharp objects that could damage the element's surface.
- **Terminal Check:** Ensure the electrical connections remain tight and free from corrosion.

TROUBLESHOOTING

If your oven is not heating correctly, the heating element may be a contributing factor. Always ensure the oven is disconnected from power before inspection.

- **Oven Not Heating:** If the oven does not heat at all, check the power supply, circuit breaker, and the oven's thermostat. If these are functional, the heating element may have failed.
- **Uneven Heating:** If the oven heats unevenly, inspect the heating element for visible damage or partial failure.
- **No Continuity:** A multimeter can be used to check the continuity of the heating element. If there is no continuity, the element is likely faulty and requires replacement.

Note: For complex issues or if you are unsure, contact a qualified service technician.

SPECIFICATIONS

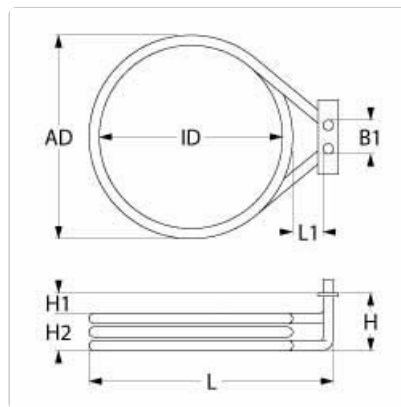


Figure 2: Technical drawing showing dimensions of the Unox RS090 heating element.

Feature	Specification
Model Number	RS090
Brand	Unox
Compatibility	Unox XF030, XF065, XF040, XF050 Convection Ovens
Power	1260 W
Voltage	230 V
Connector Type	6.3 mm Flat Connector
Fixing Type	Flange
Outer Diameter (AD)	190 mm
Inner Diameter (ID)	178 mm
Length (L)	244 mm

Width	31 mm
Height	31 mm
Flange Width (B1)	31 mm
Hole Spacing	56 mm
Hole Diameter	5 mm

WARRANTY AND SUPPORT

Information regarding specific warranty terms for this Unox heating element (model RS090) is not available in the provided product details. Please refer to the original purchase documentation or contact your supplier for warranty information.

For technical support or service inquiries, please contact Unox customer service or an authorized Unox service center. Always provide the model number (RS090) and your oven's model number when seeking support.

You can often find contact information on the official Unox website: www.unox.com