

[Manuals.plus](#) /

> [Bush Furniture](#) /

> Bush Business Furniture Series C 66W L-Shaped Desk with 48W Return and Mobile File Cabinet (Model SRC083HCSU) Instruction Manual

## Bush Furniture SRC083HCSU

# Bush Business Furniture Series C 66W L-Shaped Desk with 48W Return and Mobile File Cabinet

Model: SRC083HCSU

## 1. PRODUCT OVERVIEW

The Bush Business Furniture Series C L-Shaped Desk is designed to provide a spacious and organized workspace for home or professional offices. This unit includes a 66W desk, a 48W return, and a mobile file cabinet, all featuring a durable thermally fused laminate finish. The design incorporates wire management solutions and adjustable features for user convenience.



Figure 1: Bush Business Furniture Series C L-Shaped Desk with Mobile File Cabinet in Hansen Cherry/Graphite Gray.



Figure 2: The L-Shaped Desk integrated into an office environment, demonstrating its spacious work surface.



Figure 3: Color swatch displaying the Hansen Cherry (top) and Graphite Gray (bottom) finishes.

### Key Features:

- **Rugged Construction:** Thick desk surfaces and end panels are designed to resist dings and damage, ensuring a long-lasting professional appearance.
- **Adjustable Levelers:** Desk end panels include levelers to compensate for uneven flooring, enhancing stability.
- **Space-Saving Design:** The L-shaped configuration provides ample work area without occupying excessive floor space.
- **Smooth Drawer Operation:** The mobile file cabinet features full-extension ball bearing slides for easy access to the back of the file drawer.
- **Commercial Grade Quality:** This office furniture meets ANSI/BIFMA test standards, ensuring durability for a 40-plus hour work week.

### Product Video:

Your browser does not support the video tag.

Video 1: Official product video showcasing the features and versatility of the Bush Business Furniture Series C collection, including various desk formats, storage options, and adjustable height desks.

## 2. SAFETY INFORMATION

Always ensure the desk is level and properly anchored to the floor to prevent tipping. Do not use on uneven surfaces without leveling the desk. Always keep the mobile file cabinet within the footprint of the desk to maintain stability.

### 3. SETUP AND ASSEMBLY

Assembly of the L-shaped desk and mobile file cabinet is required. For optimal safety and ease of assembly, it is recommended that two people participate in the setup process.

#### Recommended Tools:

- Hammer
- Screwdriver

#### Pre-Assembly Check:

- Verify all components are present according to the packing list (not provided in this manual).
- Ensure you have sufficient space for assembly.
- Review the detailed assembly instructions provided with the product packaging before beginning.

#### Dimensions:

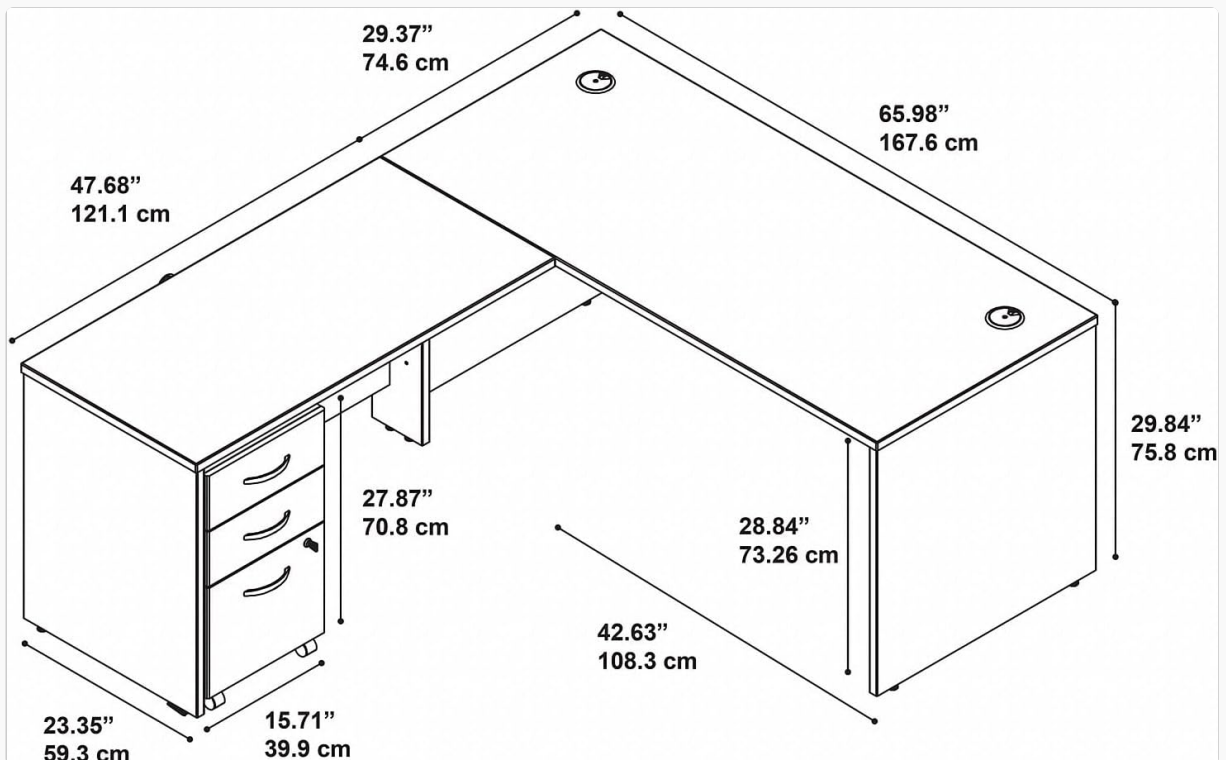


Figure 4: Detailed dimensions diagram for the Bush Business Furniture Series C L-Shaped Desk, showing length, width, and height measurements in inches and centimeters.

### 4. OPERATING INSTRUCTIONS

#### Wire Management:

The desk surface and modesty panel are equipped with wire management grommets. Use these openings to route power cords, data cables, and other wires to maintain a tidy and organized workspace. This helps prevent cable clutter and potential tripping hazards.



Figure 5: Close-up view of a wire management grommet on the desk surface, demonstrating its use for cable organization.

### **Mobile File Cabinet:**

The included mobile file cabinet is designed for flexible placement. It can be rolled wherever needed for convenient access to documents or stored underneath the L-shaped desk to conserve floor space. The drawers feature full-extension ball bearing slides, allowing complete access to the contents of each drawer.



Figure 6: Close-up of the mobile file cabinet's casters, highlighting its mobility.

### **Adjustable Levelers:**

The desk's end panels are equipped with adjustable levelers. These can be adjusted to ensure the desk remains stable and level, even on slightly uneven floor surfaces. Adjust by rotating the levelers until the desk is firm and does not wobble.

## **5. CARE AND MAINTENANCE**

To maintain the appearance and longevity of your Bush Business Furniture Series C desk, follow these simple care instructions:

- **Cleaning:** Wipe surfaces with a damp cloth. Avoid using harsh chemicals, abrasive cleaners, or polishes that may damage the thermally fused laminate finish.
- **Protection:** The laminate finish is designed to resist scratches and stains. However, using coasters for beverages and desk pads for writing or heavy objects is recommended to further protect the surface.
- **Inspection:** Periodically check all fasteners and connections to ensure they remain tight. Tighten as necessary.

## **6. TROUBLESHOOTING**

This section addresses common issues you might encounter with your desk and mobile file cabinet.

### Desk Stability Issues:

- **Problem:** Desk wobbles or is uneven.
- **Solution:** Adjust the levelers located on the bottom of the desk end panels. Rotate them clockwise or counter-clockwise until the desk is stable and level on the floor. Refer to Section 4 for more details on adjustable levelers.

### Drawer Operation Issues:

- **Problem:** File cabinet drawers stick or do not open/close smoothly.
- **Solution:** Ensure the cabinet is on a level surface. Check for any obstructions in the drawer slides. The full-extension ball bearing slides are designed for smooth operation; if issues persist, inspect the slides for damage or misalignment.

### Missing or Damaged Parts:

- **Problem:** Components are missing or damaged upon unboxing.
- **Solution:** Do not proceed with assembly. Contact Bush Furniture customer support immediately for assistance. Refer to Section 8 for contact information.

## 7. PRODUCT SPECIFICATIONS

Feature	Detail
Brand	Bush Furniture
Model Number	SRC083HCSU
Product Dimensions (D x W x H)	77.05"D x 66"W x 29.84"H
Color	Hansen Cherry/Graphite Gray
Style	Contemporary
Base Material	Engineered Wood
Top Material Type	Engineered Wood
Finish Type	Hansen Cherry (Thermally Fused Laminate)
Item Weight	271 Pounds
Number of Drawers	3 (in mobile file cabinet)
Drawer Glide Mechanism	Full-extension Ball Bearing Slides
Required Assembly	Yes
Recommended People for Assembly	2
Maximum Weight Recommendation	200 Pounds (for desk surface)
Product Grade	Commercial (Meets ANSI/BIFMA standards)

## 8. WARRANTY AND CUSTOMER SUPPORT

### Manufacturer's Warranty:

This Bush Business Furniture Series C L-Shaped Desk is backed by a **10-Year Manufacturer's Warranty**. This warranty covers defects in materials and workmanship under normal use. Please refer to the warranty documentation included with your product for full terms and conditions.

### Customer Support:

For assistance with assembly, missing parts, warranty claims, or any other product-related inquiries, please contact Bush Furniture customer support. Contact information can typically be found on the Bush Furniture website or within the product packaging.

*Please retain your purchase receipt for warranty purposes.*