

Manuals.plus /

› Gebildet /

› Gebildet 9mm Utility Knife User Manual

Gebildet 9mm Utility Knife

Gebildet 9mm Utility Knife User Manual

Model: 9mm Utility Knife

1. SAFETY INFORMATION

Please read and understand all safety instructions before using the Gebildet 9mm Utility Knife. Failure to follow these instructions may result in injury.

- **Always handle with care:** Blades are extremely sharp.
- **Keep fingers away from the blade path:** Ensure hands are clear during cutting and blade adjustments.
- **Use appropriate cutting surfaces:** Protect work surfaces with a cutting mat or sacrificial material.
- **Store safely:** Retract the blade fully into the handle when not in use. Keep out of reach of children and pets.
- **Wear protective eyewear:** Recommended for all cutting tasks.
- **Dispose of used blades properly:** Use a designated blade disposal container. Do not discard loose blades in regular trash.

2. PRODUCT OVERVIEW

The Gebildet 9mm Utility Knife is designed for precision cutting tasks. It features a retractable snap-off blade for consistent sharpness and a durable handle.



Figure 2.1: Gebildet 9mm Utility Knives and Replacement Blades.

This image displays two Gebildet 9mm utility knives, each with a silver-colored body and a black slider mechanism. To the right of the knives are two stacks of silver-colored snap-off replacement blades, indicating a complete set for cutting tasks.

Components:

- **Knife Handle:** Provides grip and houses the blade mechanism.
- **Blade Slider:** Controls blade extension and retraction, and locks the blade in position.
- **Snap-Off Blade:** Multi-segment blade designed for snapping off dull sections to reveal a new sharp edge.

3. SETUP AND BLADE INSTALLATION

The utility knife typically comes with a blade pre-installed. If you need to install a new blade or replace an existing one, follow these steps:

1. **Retract the old blade:** Fully retract the existing blade into the handle using the slider.
2. **Remove the end cap:** Carefully pull off the plastic end cap at the rear of the knife handle. This cap

often doubles as a blade snapper.

3. **Slide out the blade mechanism:** Gently slide the blade and its carrier mechanism out from the rear of the handle.
4. **Remove the old blade:** Detach the old blade from the carrier.
5. **Insert new blade:** Carefully insert a new 9mm snap-off blade into the blade carrier, ensuring it is seated correctly.
6. **Reassemble:** Slide the blade mechanism back into the handle from the rear. Replace the end cap securely.
7. **Test:** Extend and retract the blade to ensure smooth operation and proper locking.

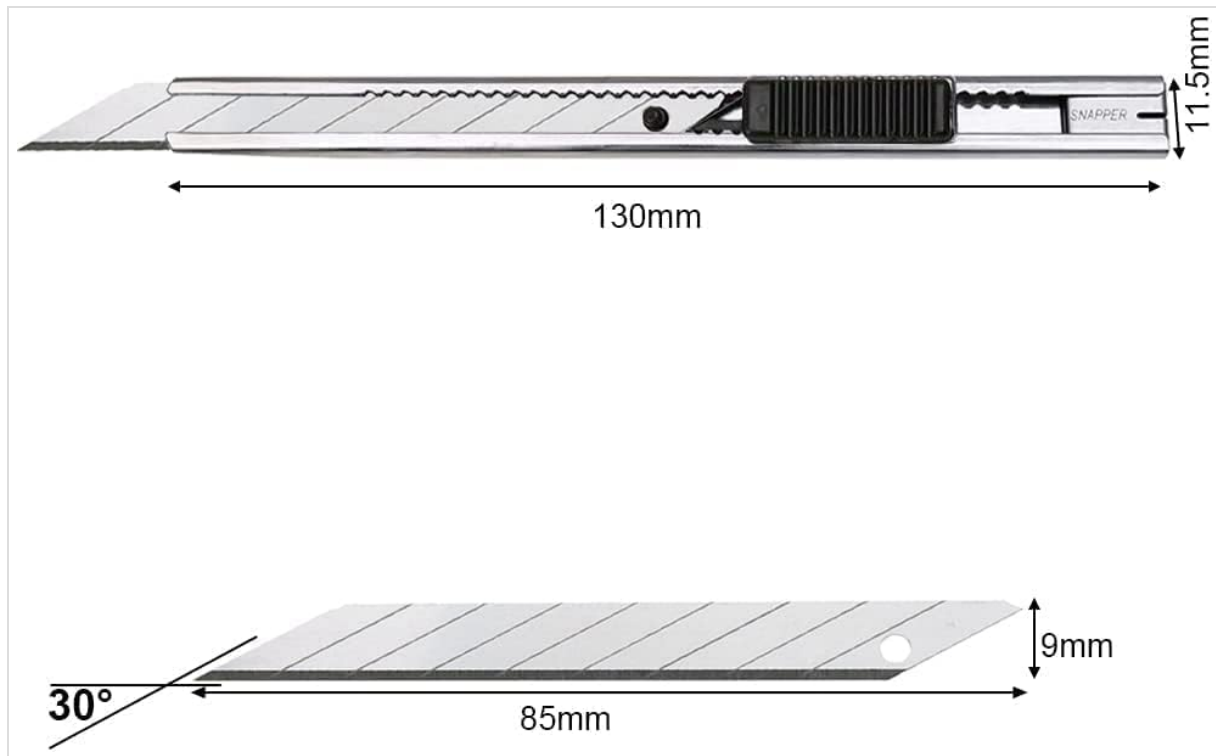


Figure 3.1: Knife and Blade Dimensions.

This diagram illustrates the key dimensions of the utility knife and its blade. The knife measures 130mm in length and 11.5mm in height. The blade itself is 85mm long and 9mm wide, with a 30-degree angle at the tip. This provides visual reference for blade compatibility and overall tool size.

4. OPERATING INSTRUCTIONS

4.1 Extending and Retracting the Blade

- To extend the blade, push the slider forward until the desired blade length is exposed. The slider will lock into place.
- To retract the blade, pull the slider backward until the blade is fully enclosed within the handle.

4.2 Cutting Techniques

- **Prepare your material:** Place the material to be cut on a stable, protected surface.
- **Grip the knife:** Hold the knife firmly but comfortably. The design is suitable for both right and left-handed users.
- **Make the cut:** Apply steady, even pressure and draw the blade along the desired cutting line. For thicker materials, multiple shallow passes are safer and more effective than one deep cut.
- **Retract blade:** Always retract the blade immediately after use.



Figure 4.1: Example of Knife in Use.

This image shows a hand holding the Gebildet utility knife, demonstrating its use for precise cutting. The knife is positioned over a clear material, possibly a stencil or vinyl, indicating its suitability for detailed craft or film application work.

Available for both right and left hand



Figure 4.2: Ambidextrous Design.

This diagram illustrates the ambidextrous design of the utility knife, showing how it can be comfortably held and operated by both right and left hands. Two knives are depicted, one labeled "Right hand" and the other "Left hand," demonstrating the ergonomic versatility.

5. BLADE REPLACEMENT AND MAINTENANCE

5.1 Snapping Off Dull Blade Segments

When the blade becomes dull, you can snap off the outermost segment to reveal a new, sharp edge. Use the integrated blade snapper (often the end cap of the knife) or a pair of pliers.

1. **Extend one segment:** Carefully extend the blade just enough so that one segment is exposed beyond the knife body.
2. **Use the snapper:** Place the end cap (snapper) over the exposed segment, aligning it with the score line.
3. **Snap off:** With firm, controlled pressure, snap the segment downwards. Ensure the snapped-off piece falls into a safe disposal container.
4. **Dispose safely:** Immediately place the dull blade segment into a designated blade disposal

container.



Figure 5.1: Snap-Off Blade Tip.

This diagram shows the structure of a utility knife blade with multiple segments and a "Snap-Off Blade Tip" indicated. It visually explains how to break off a dull section to expose a new sharp edge, emphasizing the "Sharp Blade Head" and providing a safety tip to "pay close attention to your safety" when snapping off the blade.

5.2 General Maintenance

- **Cleaning:** Wipe the knife handle with a dry cloth to remove dust or debris. Avoid using harsh chemicals.
- **Lubrication:** If the blade slider becomes stiff, a small amount of dry lubricant (e.g., graphite powder) can be applied to the sliding mechanism.
- **Blade Storage:** Store replacement blades in their original packaging or a safe container to prevent accidental cuts and maintain sharpness.



Figure 5.2: Replacement Blade Storage.

This image displays a yellow plastic case designed for storing replacement utility knife blades, with a stack of 10 blades visible next to it. The text "10pcs / box" confirms the quantity, highlighting the convenient and safe storage solution for spare blades.

6. TROUBLESHOOTING

- **Blade not extending/retracting smoothly:** Check for debris in the blade channel. Clean the channel and apply a small amount of lubricant if necessary. Ensure the blade is correctly seated in the carrier.
- **Blade feels dull quickly:** Ensure you are snapping off dull segments regularly. The material being cut may be particularly abrasive.
- **Blade wobbles:** Ensure the blade is fully seated in the carrier and the slider mechanism is locked. If the issue persists, the knife may be damaged and should be replaced.

7. SPECIFICATIONS

Model	9mm Utility Knife
Brand	Gebildet
Knife Dimensions (L x W x H)	13.4 cm x 1.1 cm x 0.8 cm (5.3 in x 0.44 in x 0.32 in)
Knife Weight	14 grams (0.49 oz)
Blade Dimensions (L x W)	73 mm x 9 mm (2.87 in x 0.35 in)
Blade Angle	30 degrees acute
Materials	Stainless steel, Plastic (handle), Carbon Steel (blade)
UPC	650434448734
ASIN	B073SWPR8N

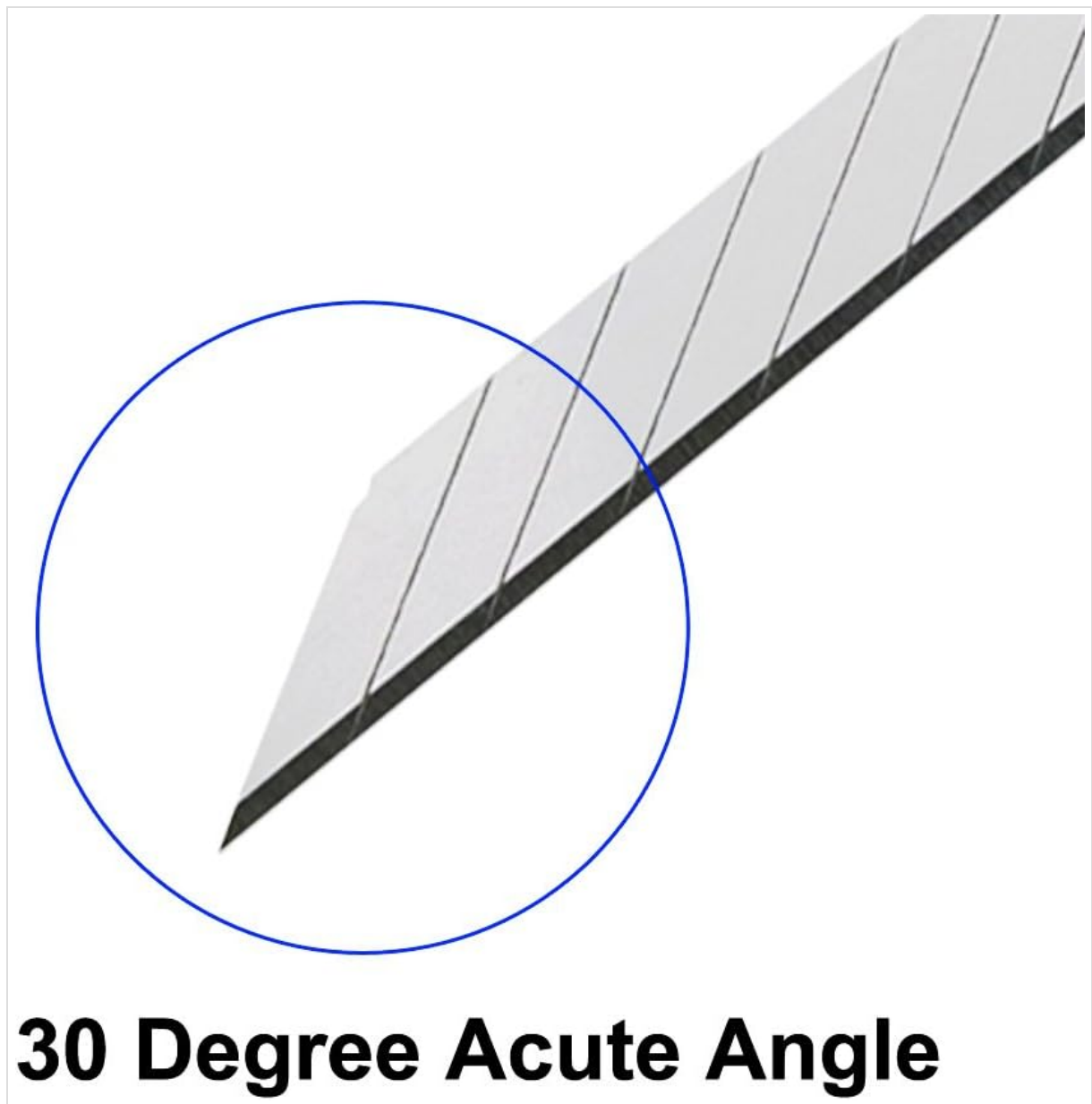


Figure 7.1: 30-Degree Acute Blade Angle.

This close-up image highlights the precise 30-degree acute angle of the utility knife blade, which contributes to its sharpness and cutting efficiency for detailed work.

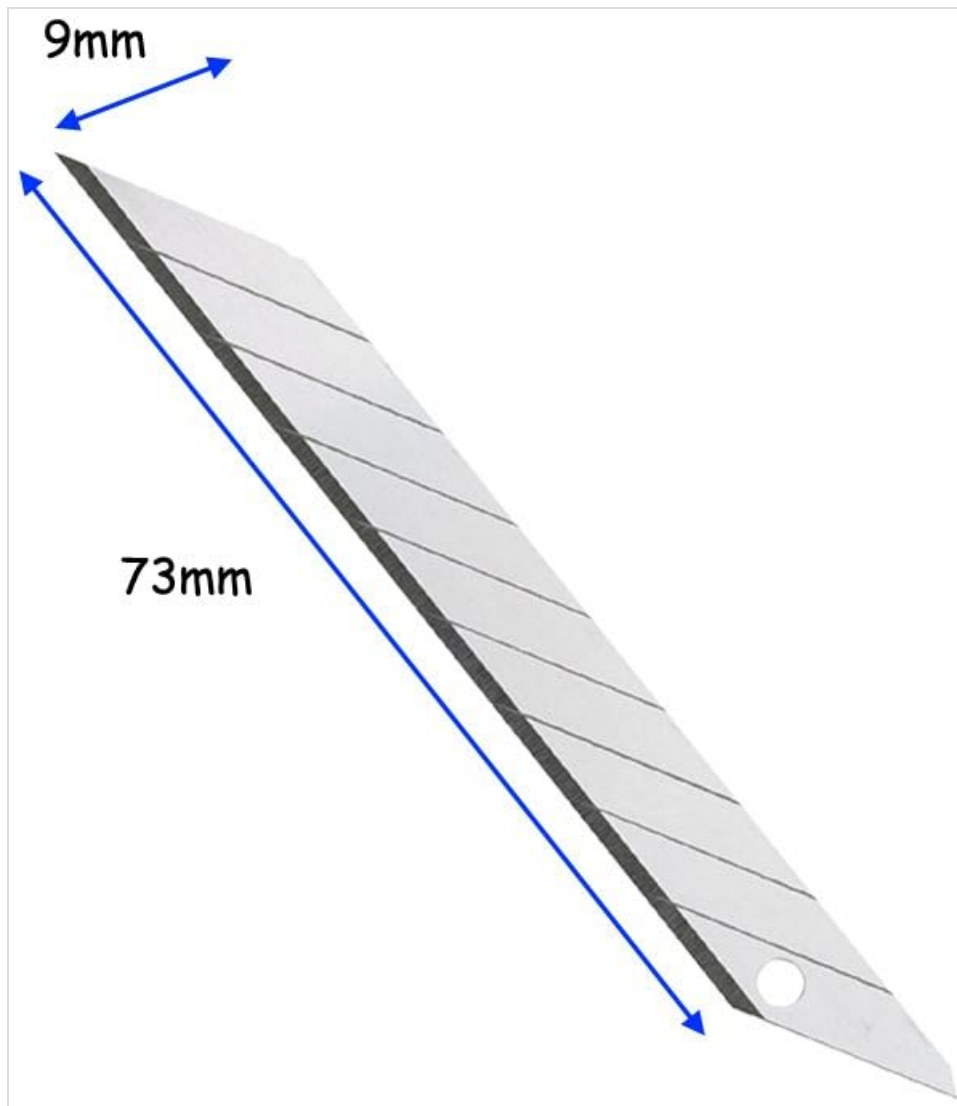


Figure 7.2: Individual Blade Dimensions.

This diagram provides the specific dimensions of an individual utility knife blade, indicating a width of 9mm and a length of 73mm. This information is crucial for identifying compatible replacement blades.

8. WARRANTY AND SUPPORT

For warranty information or product support, please refer to the retailer where the product was purchased or contact Gebildet customer service through their official channels. Keep your purchase receipt as proof of purchase.